

eduard



MiG-23BN 1/48

INSTRUCTION SHEET

11132-NAVI



Carefully read instruction sheet before assembling. When you use glue or paint, do not use near open flame and use in well ventilated room. Keep out of reach of small children. Children must not be allowed to suck any part, or pull vinyl bag over the head.



Před započítím stavby si pečlivě prostudujte stavební návod. Při používání barev a lepidel pracujte v dobře větrané místnosti. Lepidla ani barvy nepoužívejte v blízkosti otevřeného ohně. Model není určen malým dětem, mohlo by dojít k požití drobných dílů.

INSTRUCTION SIGNS * INSTR. SYMBOLS * INSTRUKTION SINNBILDEN * SYMBOLES * 記号の説明



OPTIONAL
VOLBA



BEND
OHNOUT



SAND
BROUSIT



OPEN HOLE
VYVRTAT OTVOR



SYMETRICAL ASSEMBLY
SYMETRICKÁ MONTÁŽ



REMOVE
ODŘÍZNOUT



REVERSE SIDE
OTOČIT



APPLY EDUARD MASK
AND PAINT
POUŽIT EDUARD MASK
NABARVIT

PARTS



DÍLY



TEILE

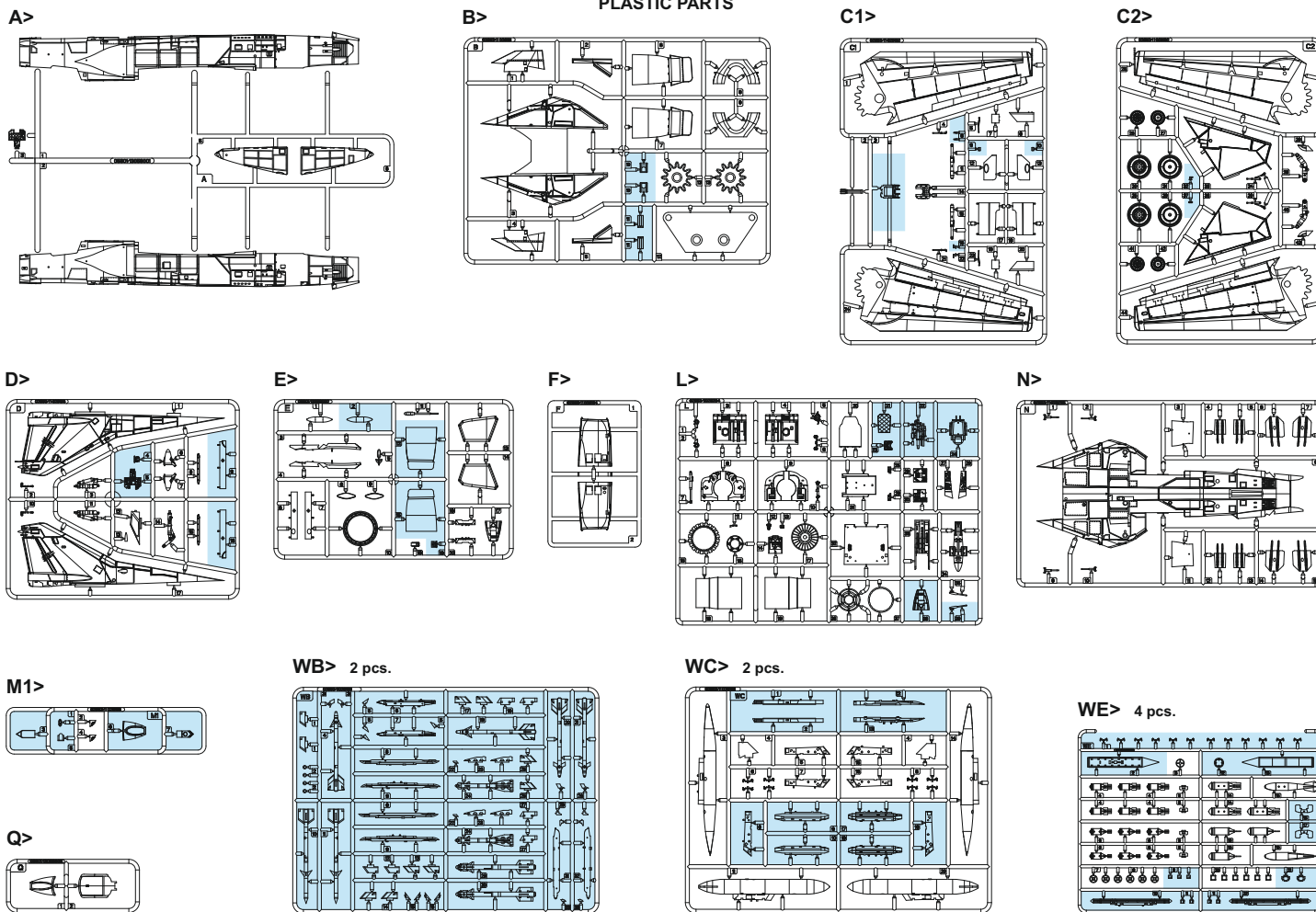


PIÈCES

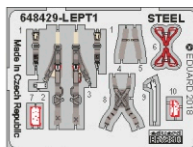
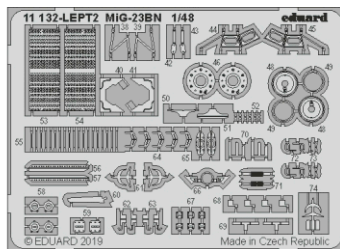
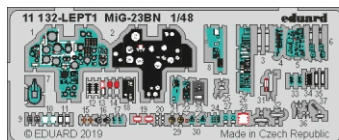


部品

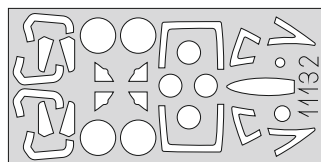
PLASTIC PARTS



PE - PHOTO ETCHED DETAIL PARTS



eduard
MASK



FILM



eduard
BRASSIN RP - RESIN PARTS

R33

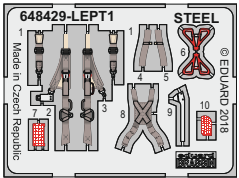


R34



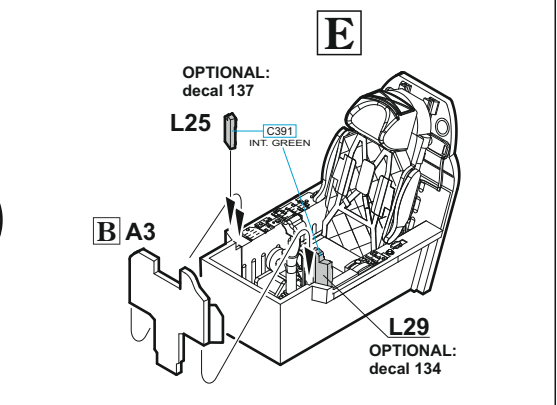
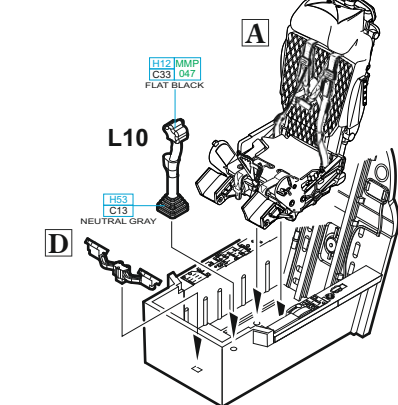
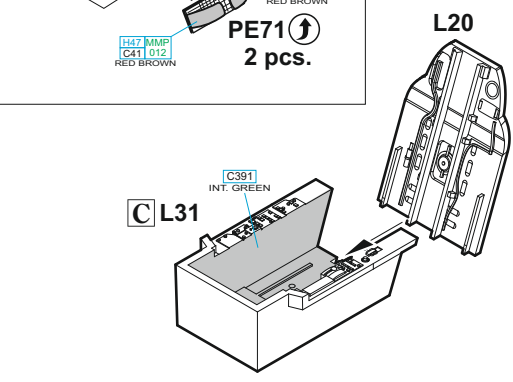
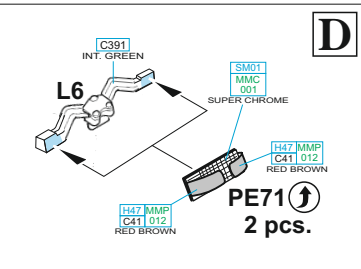
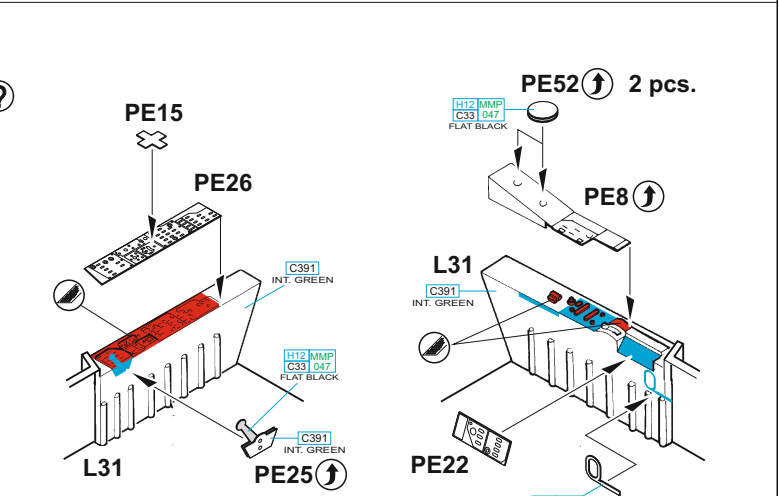
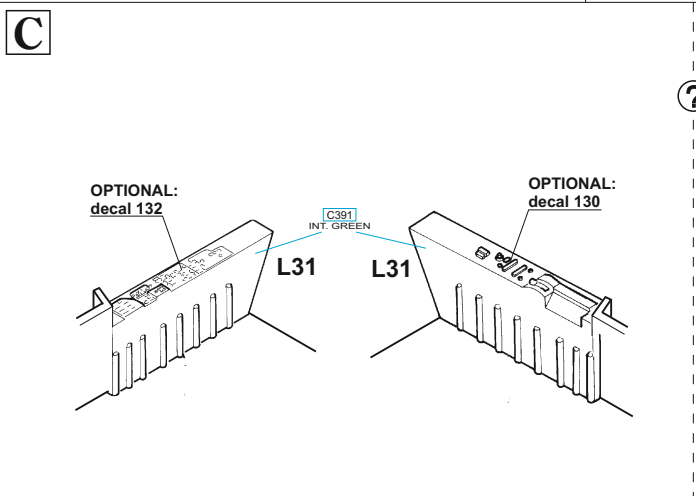
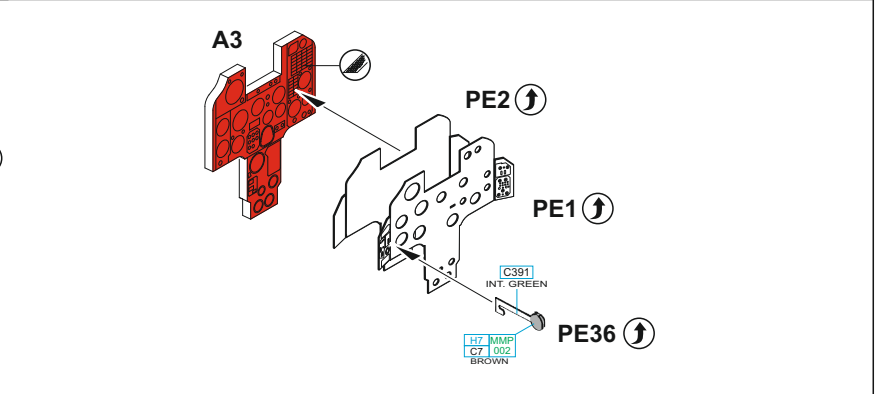
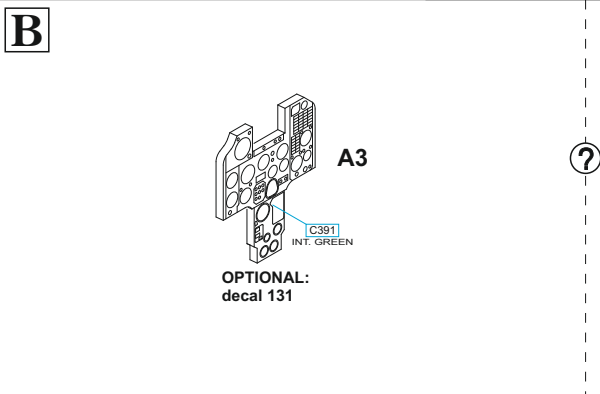
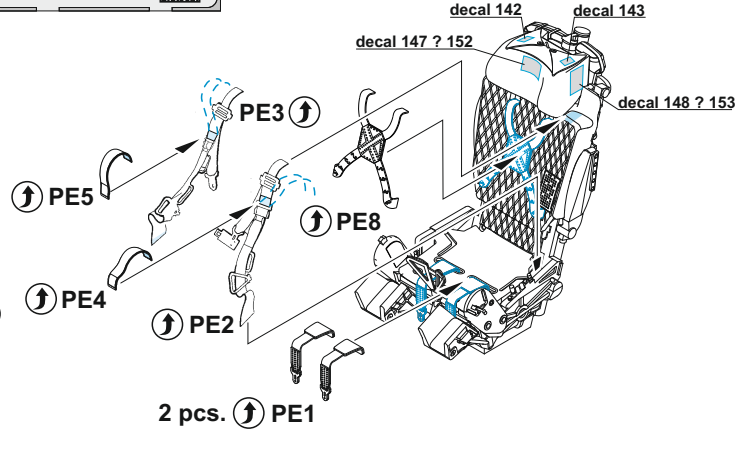
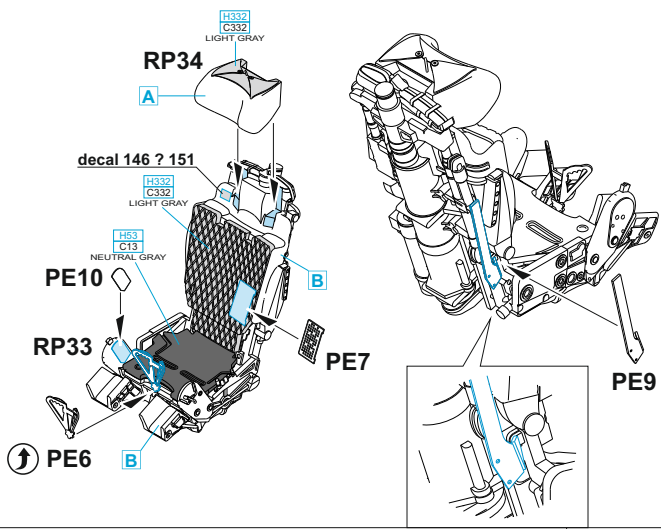
-Parts not for use. -Teile werden nicht verwendet. -Pièces à ne pas utiliser. -Tyto díly nepoužívejte při stavbě. - 使用しない部品

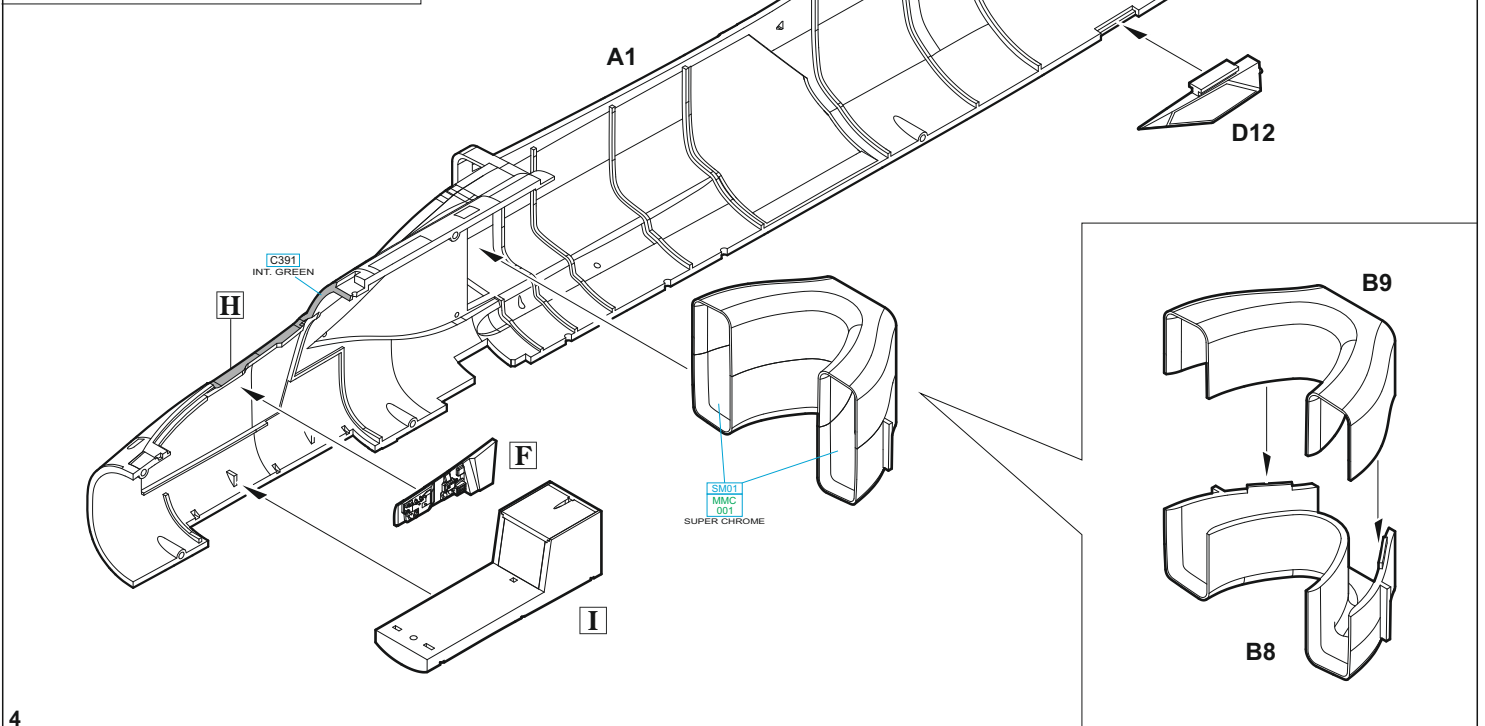
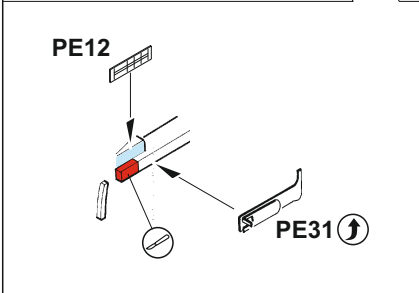
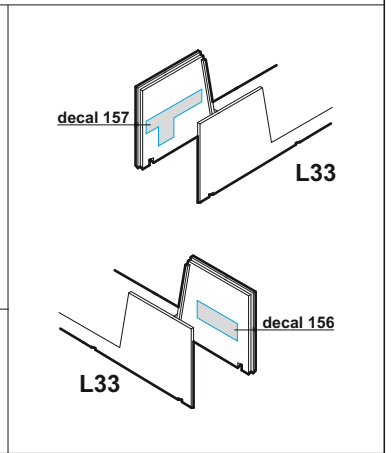
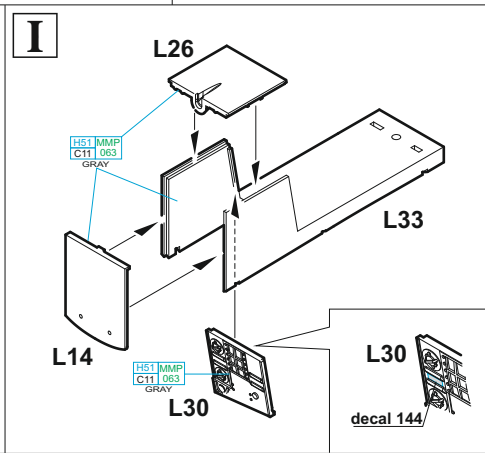
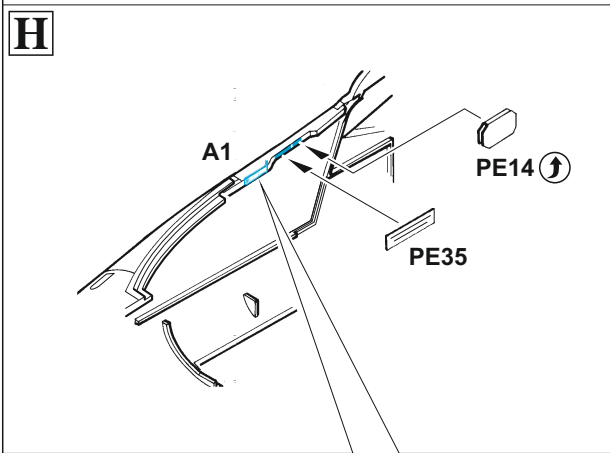
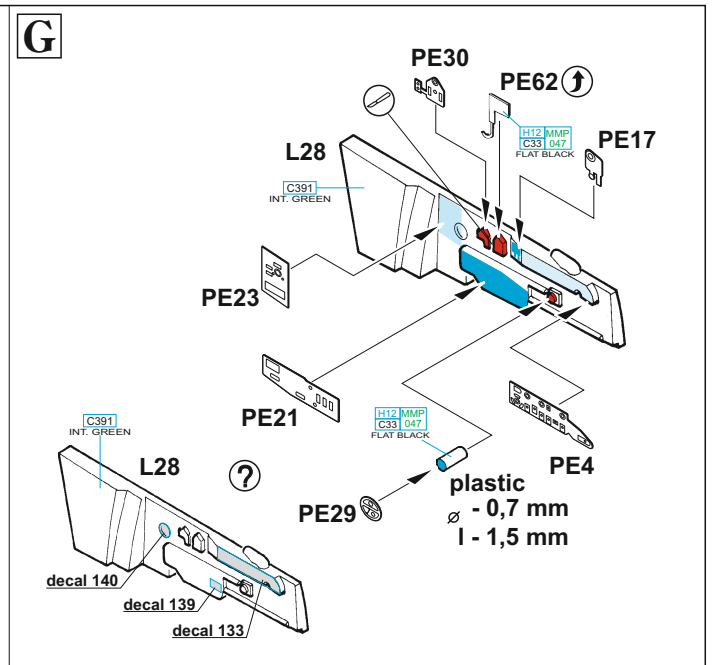
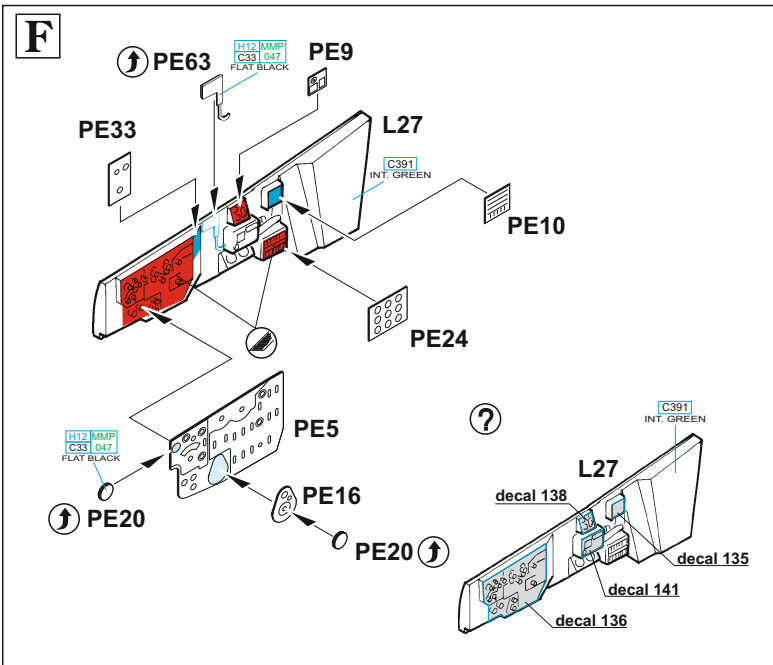
A = H332
C332 LIGHT GRAY - MARKINGS **A,C,E,I**
H12 MMP
C33 047 FLAT BLACK - MARKINGS **B,D,F,G,H**

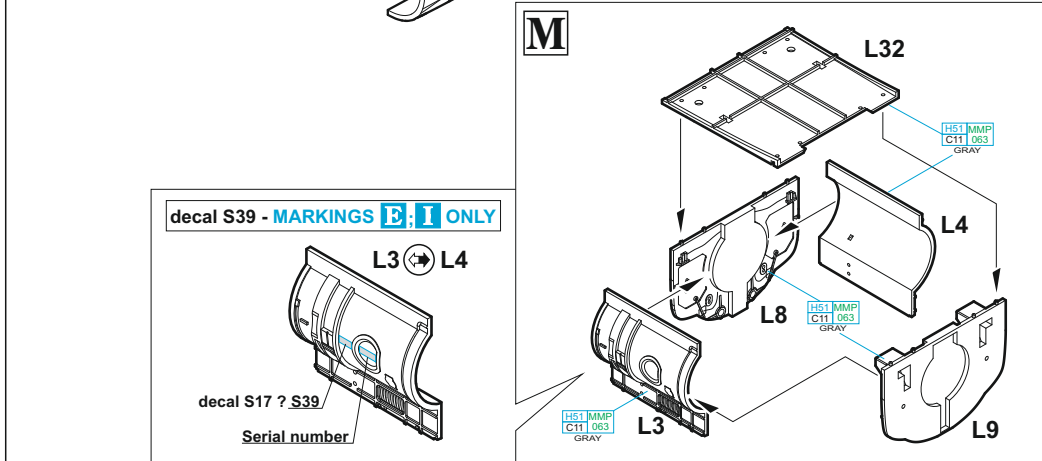
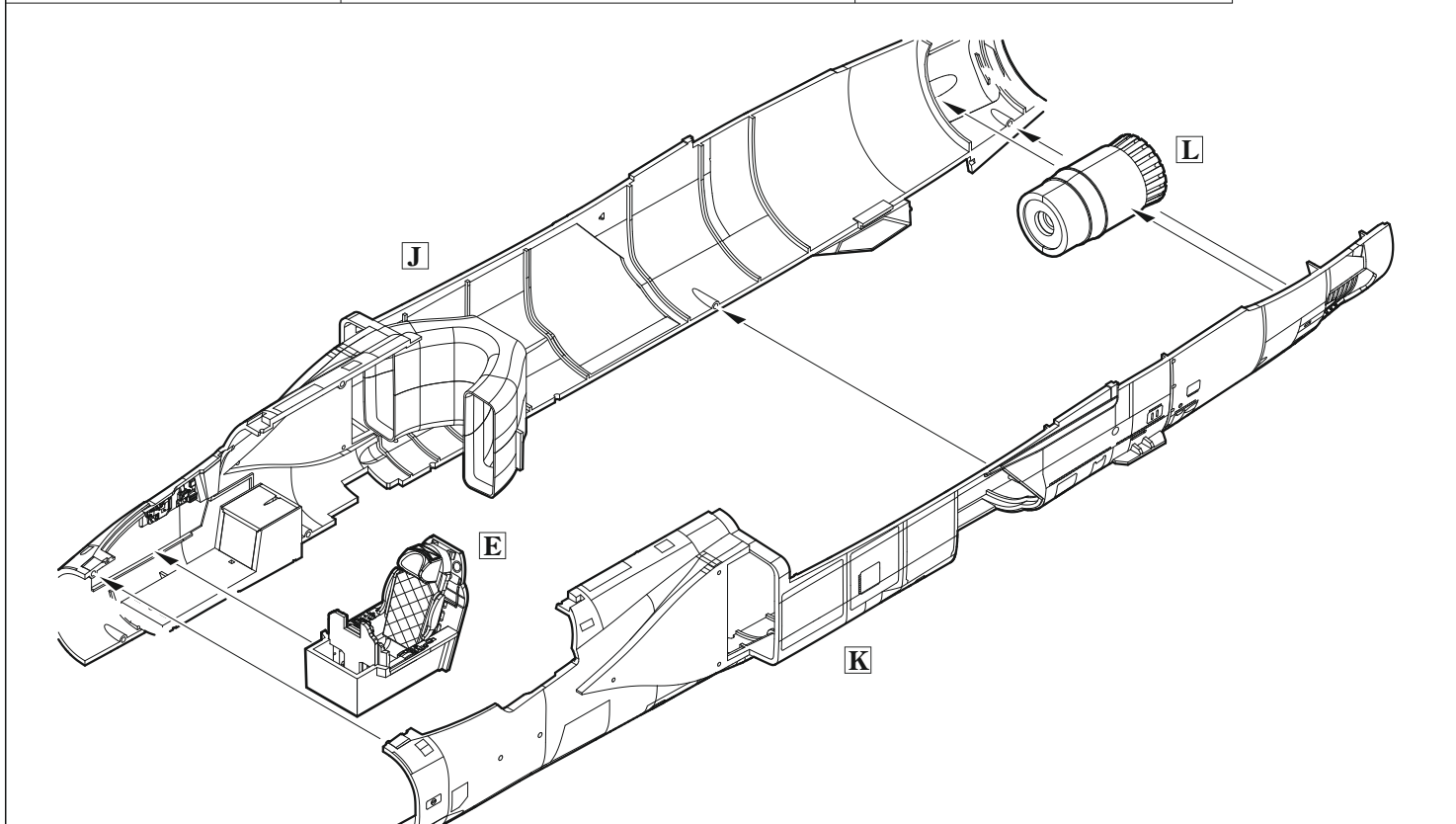
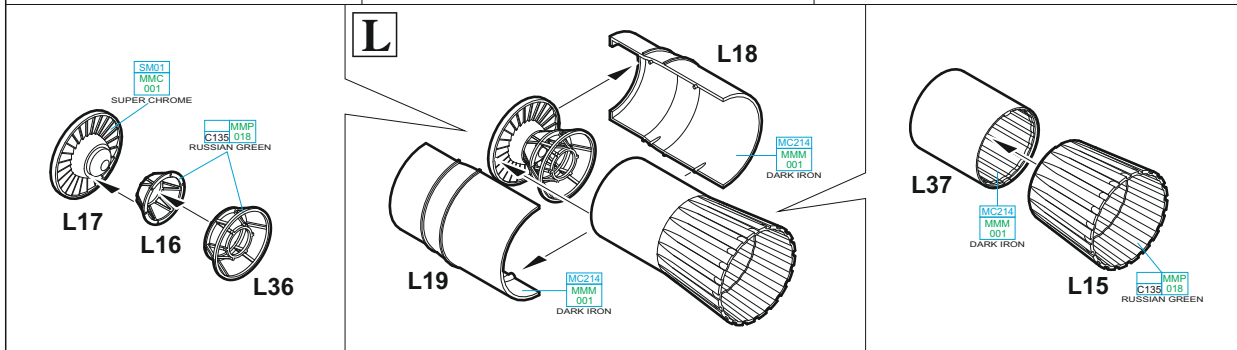
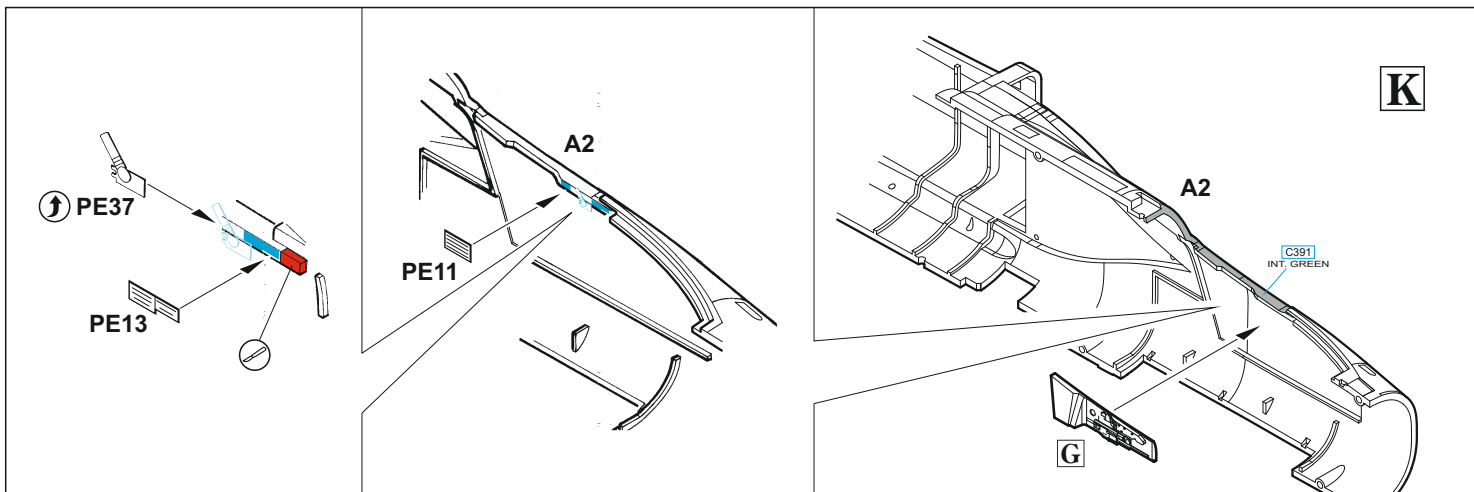


B = H33
C13 NEUTRAL GRAY - MARKINGS **A,C,E,I**
H12 MMP
C33 047 FLAT BLACK - MARKINGS **B,D,F,G,H**

decals 146, 147, 148 - MARKINGS **A,C,E,I**
 decals 151, 152, 153 - MARKINGS **B,D,F,G,H**





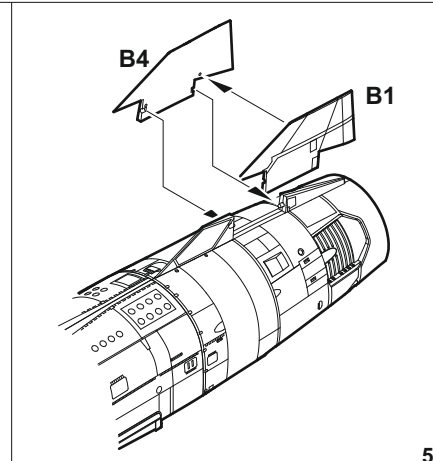


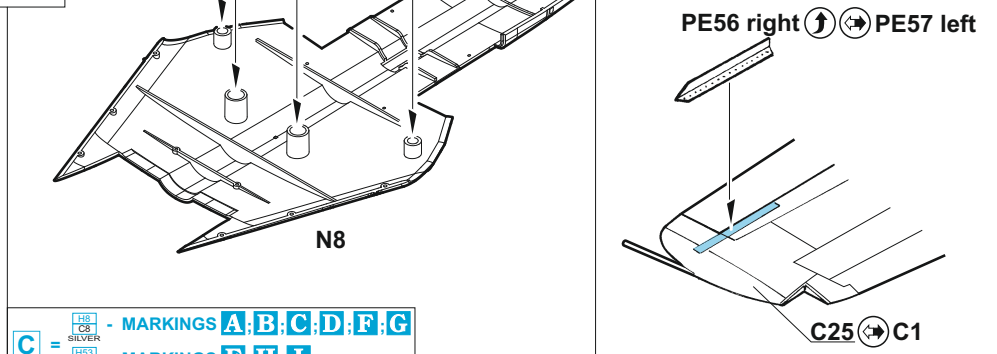
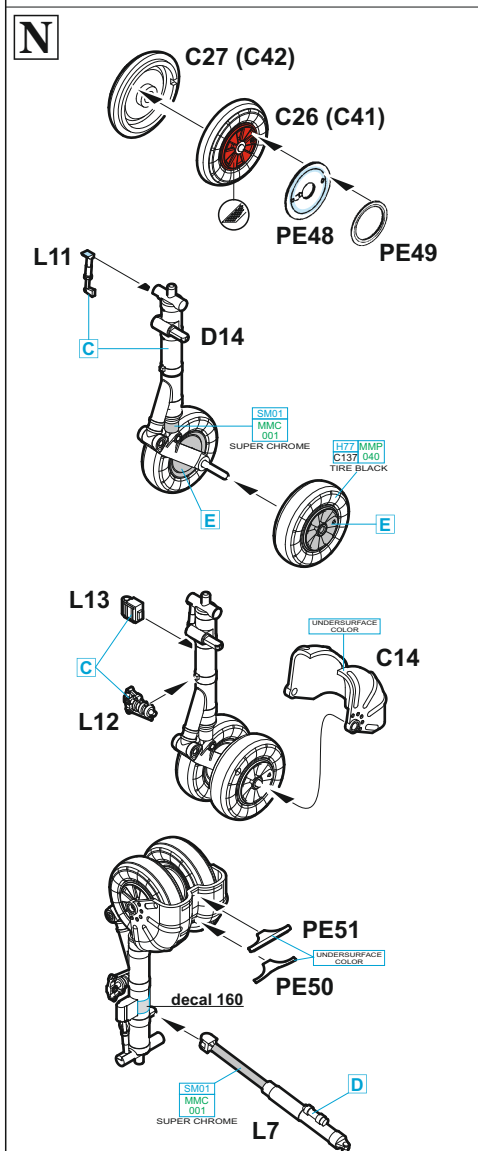
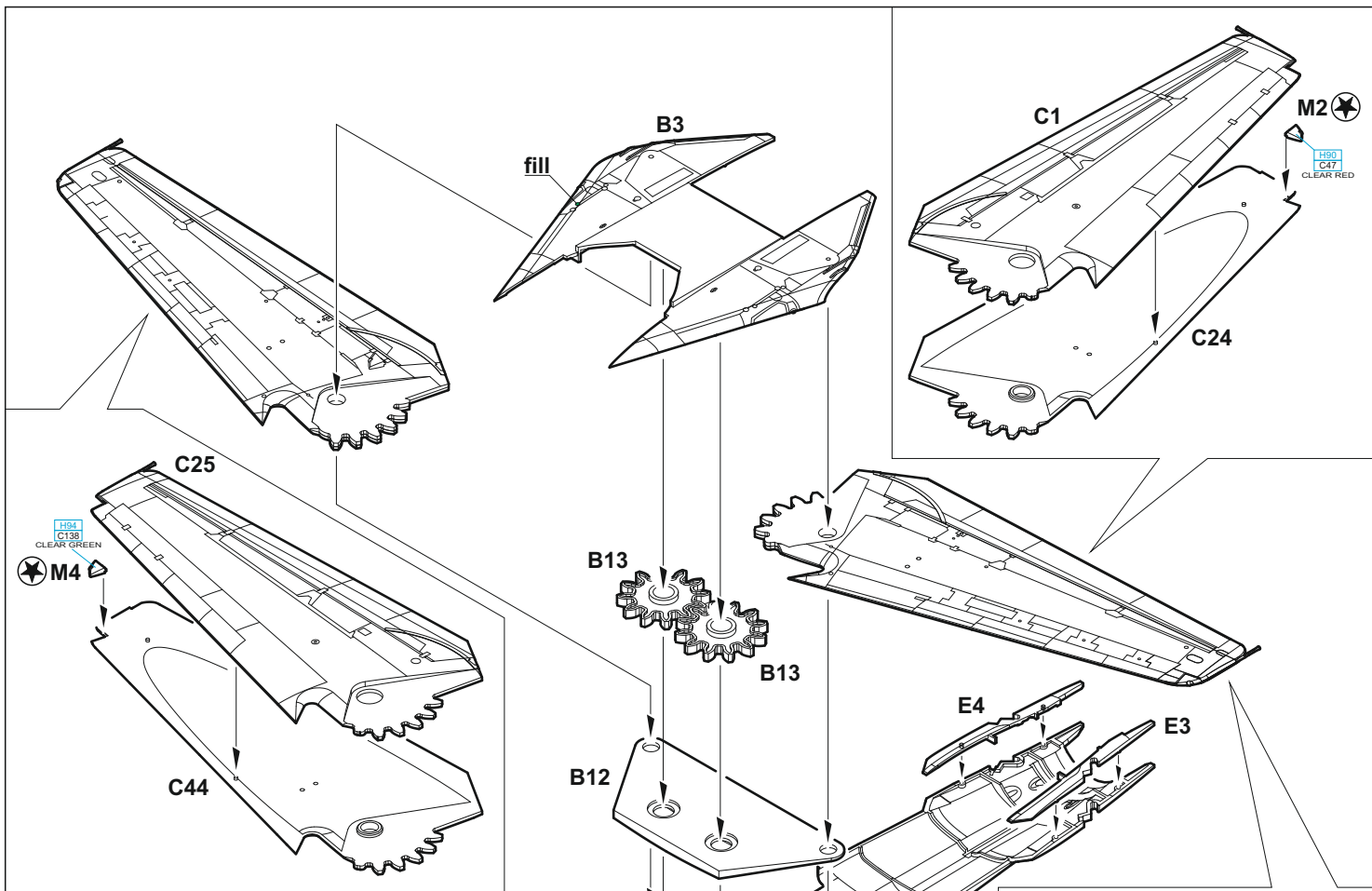
decal S39 - MARKINGS E, I ONLY

L3 ↔ L4

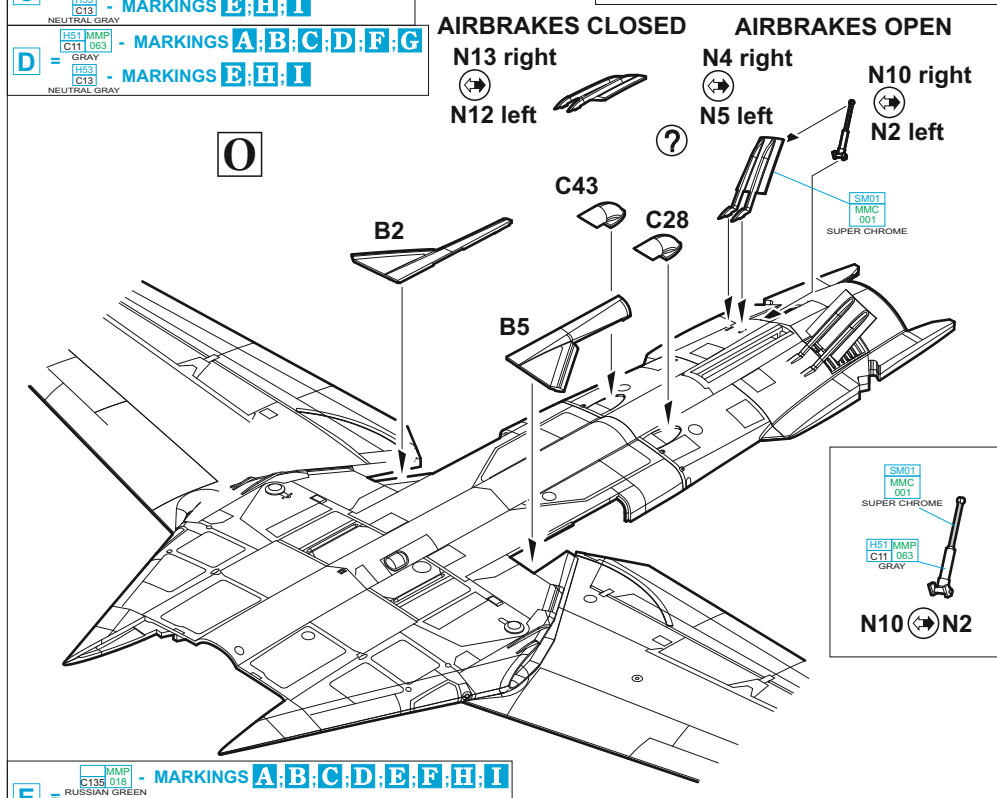
decal S17 ? S39

Serial number

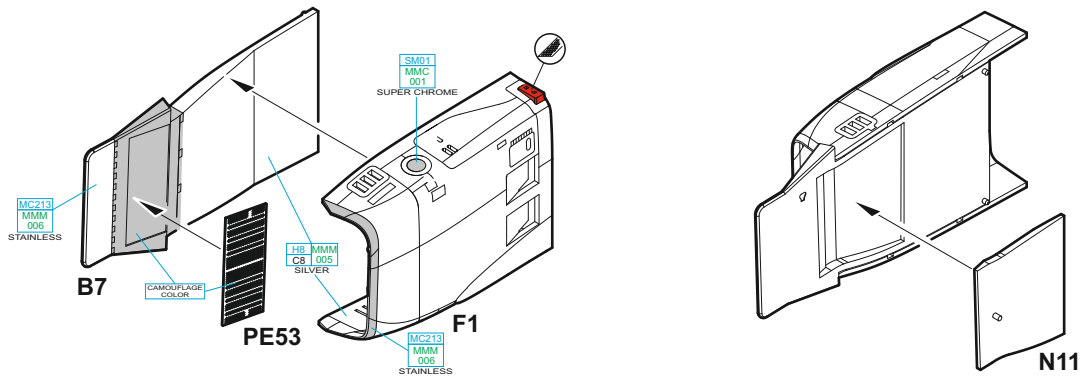
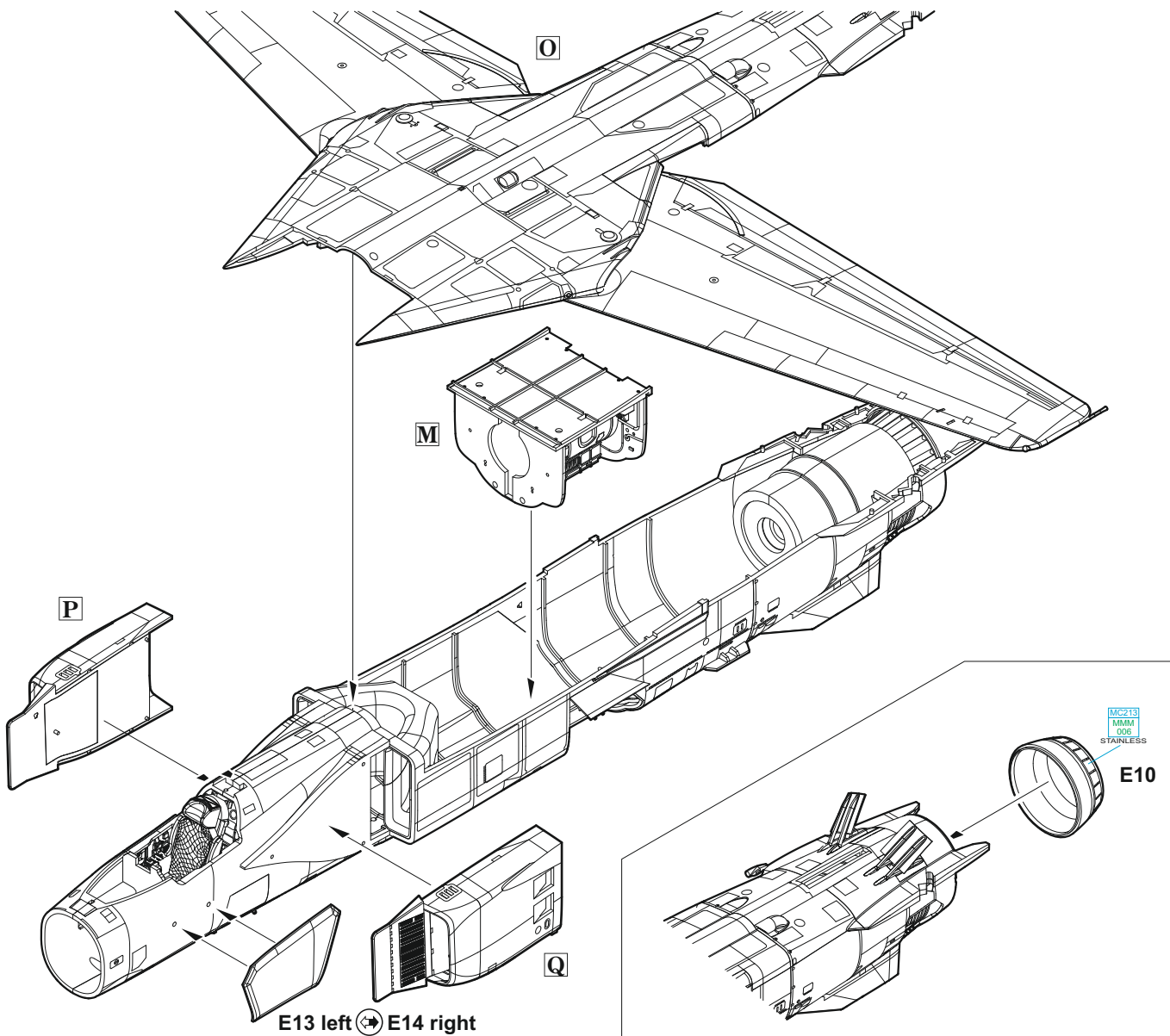
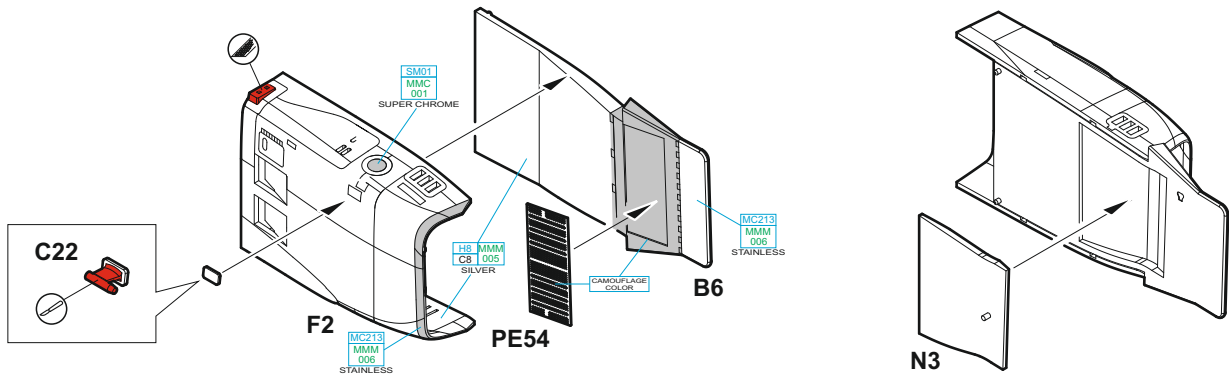




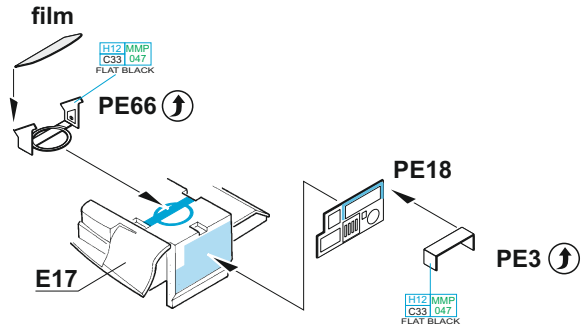
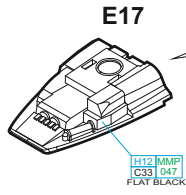
C	[H8] C8 - MARKINGS A, B, C, D, F, G
	[H3] C13 - MARKINGS E, H, I
D	[H51] MMP C11 083 - MARKINGS A, B, C, D, F, G
	[H3] C13 - MARKINGS E, H, I



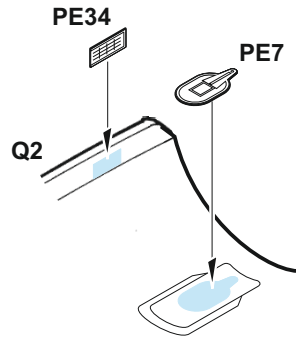
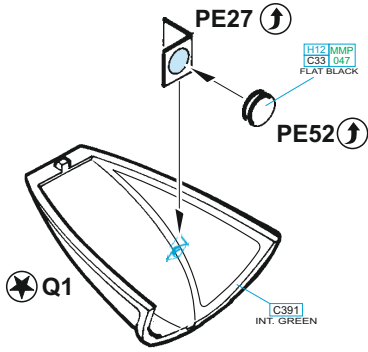
E	[MMP] C135 018 - MARKINGS A, B, C, D, E, F, H, I
	[H5] MMP C5 048 - MARKING G

P**Q**

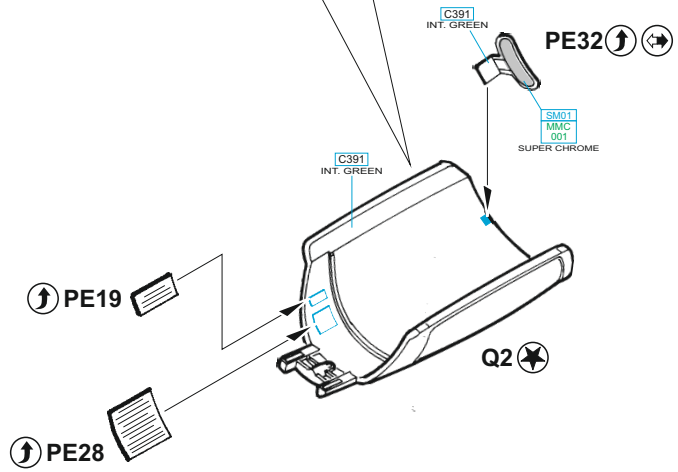
R



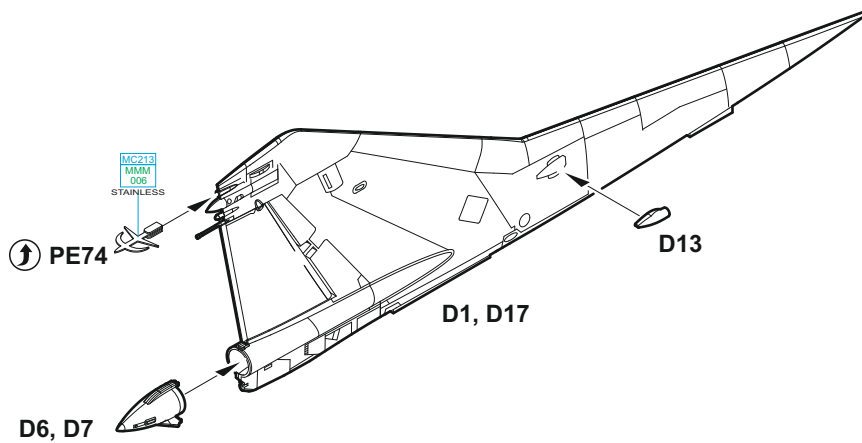
S

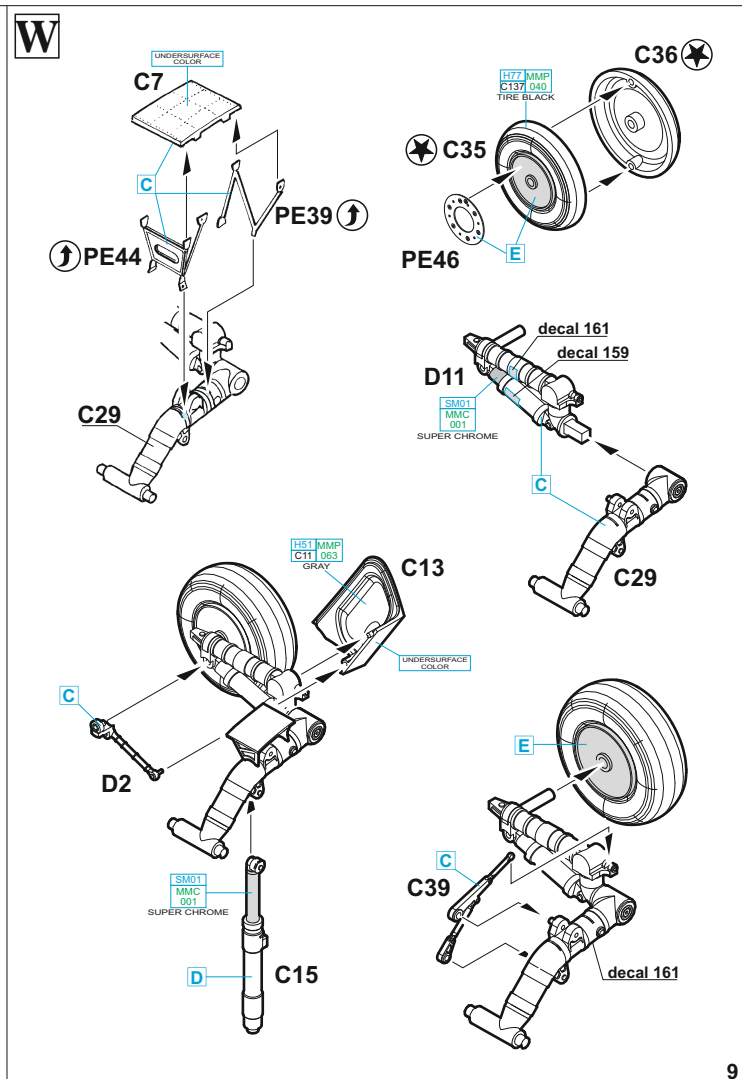
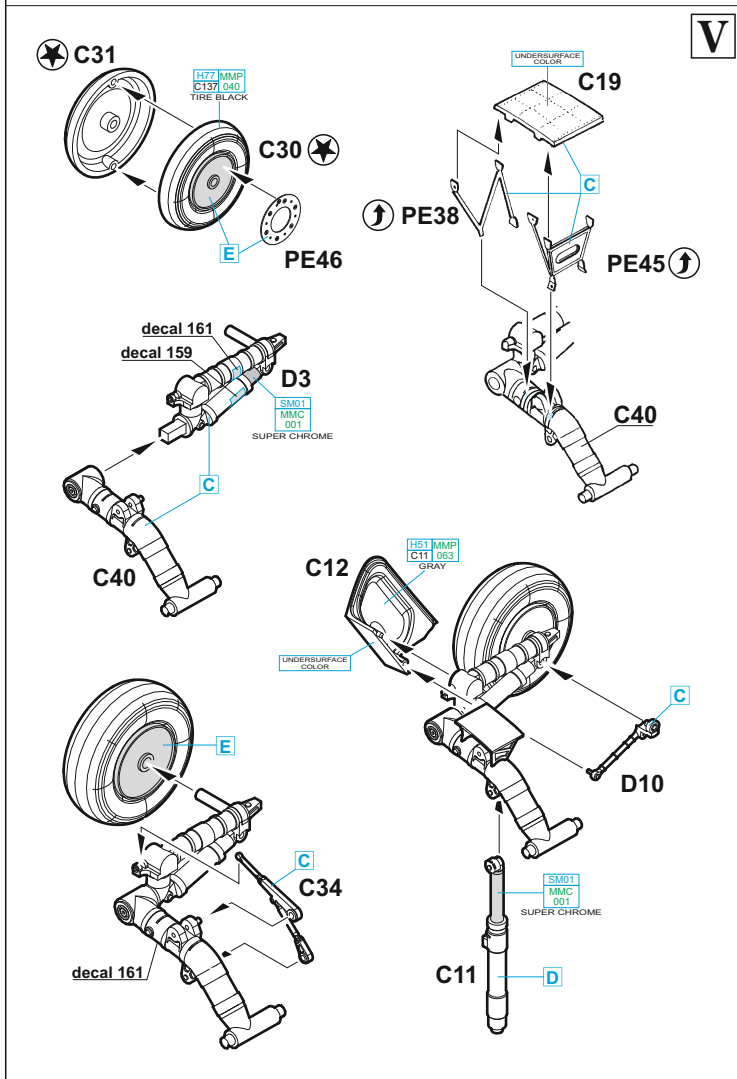
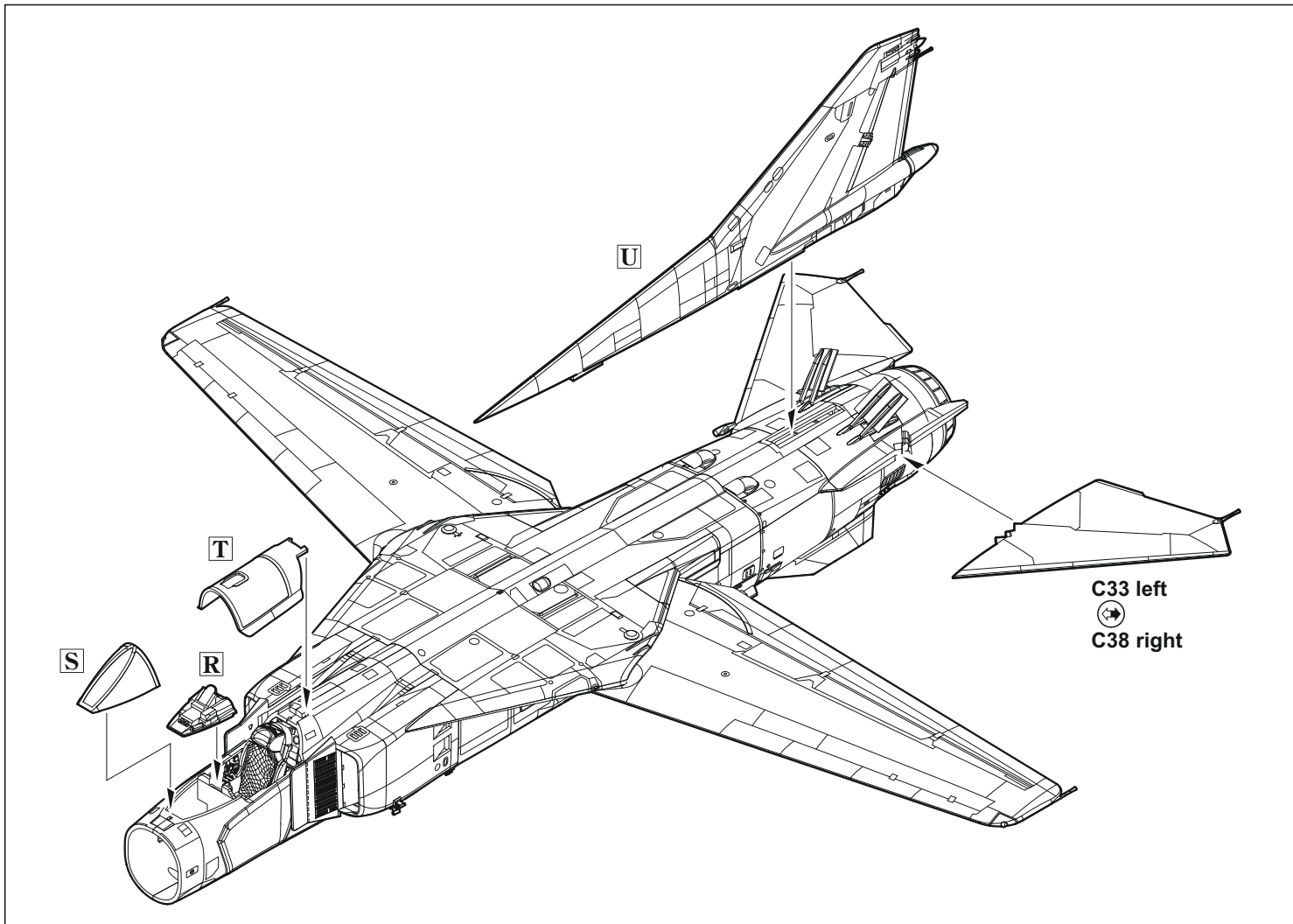


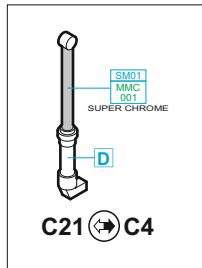
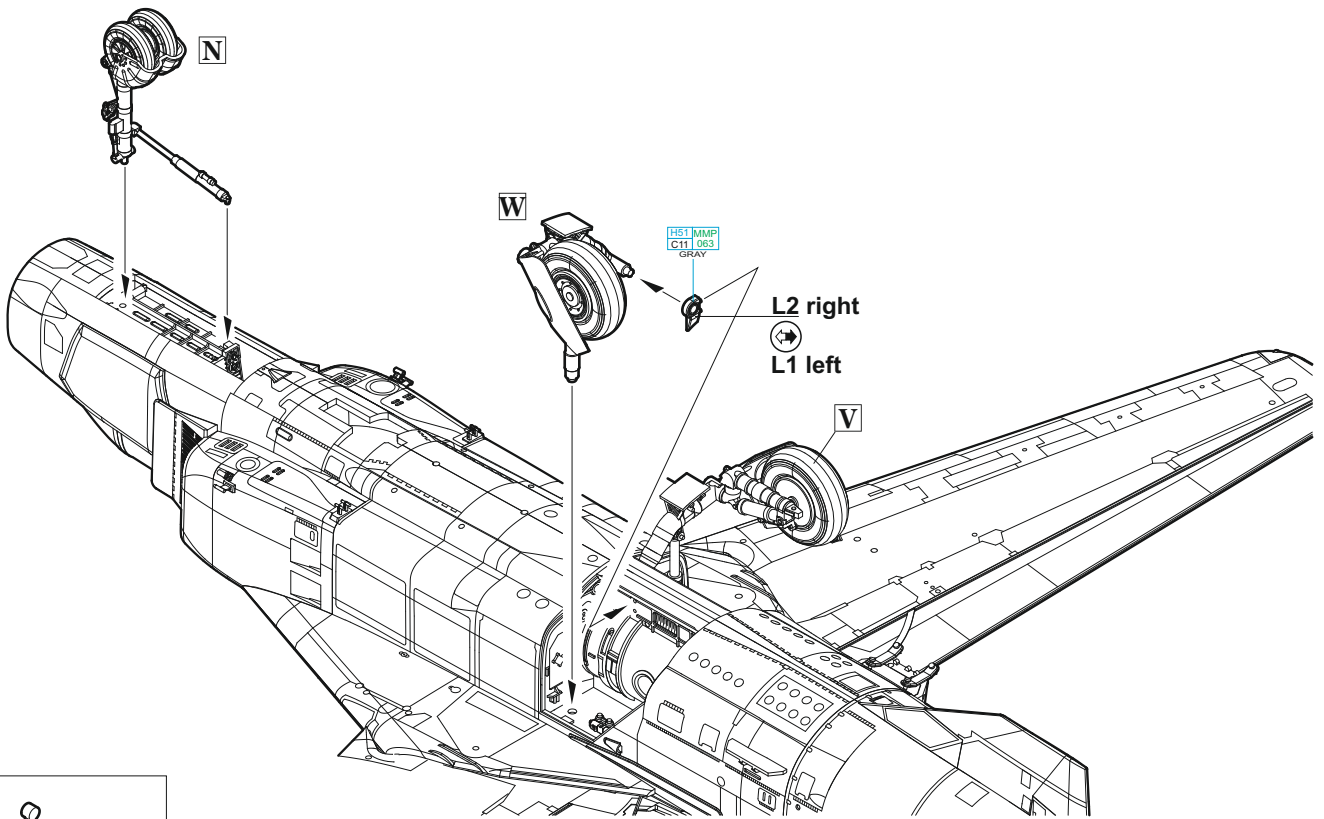
T



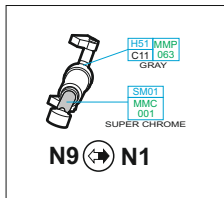
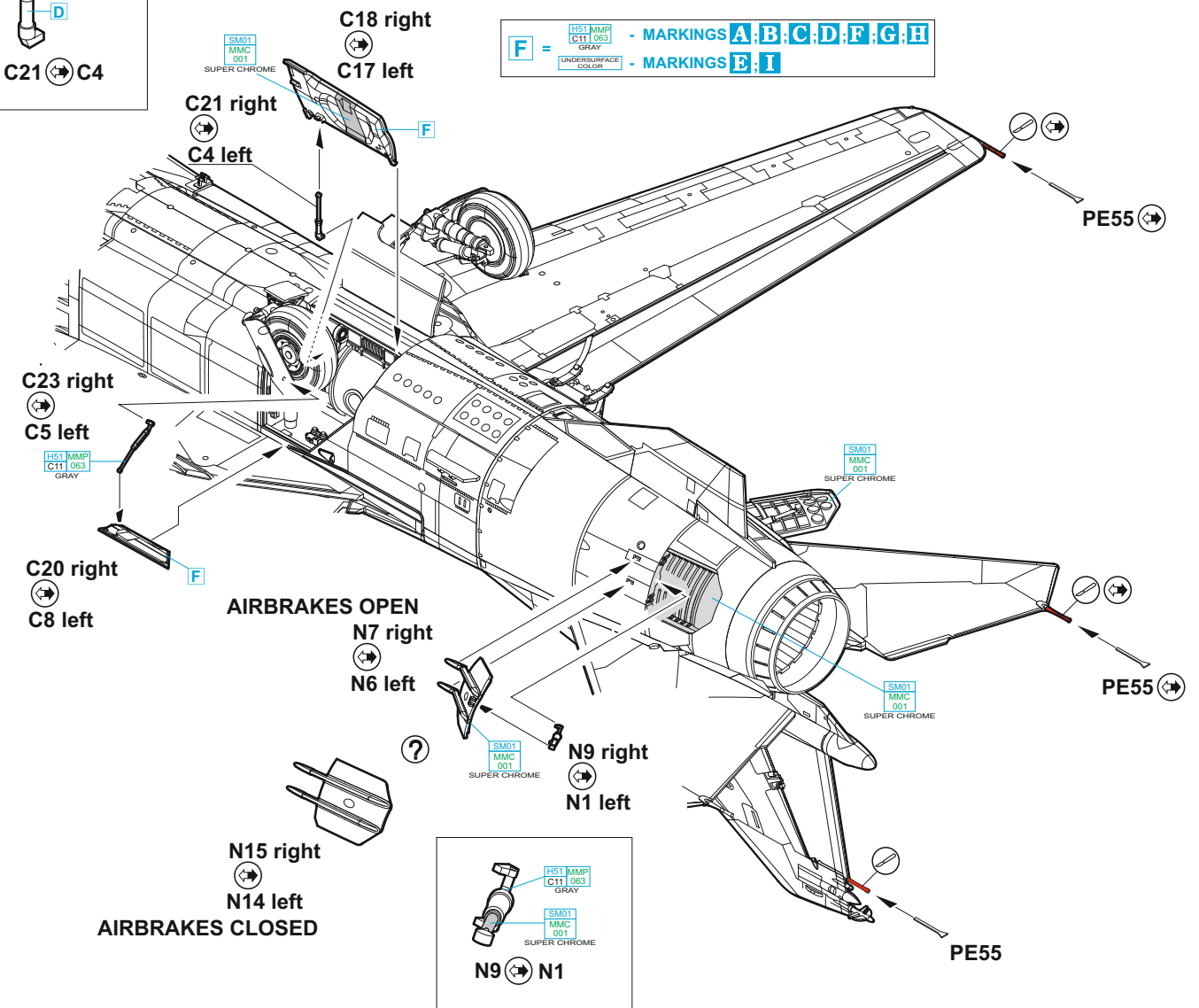
U

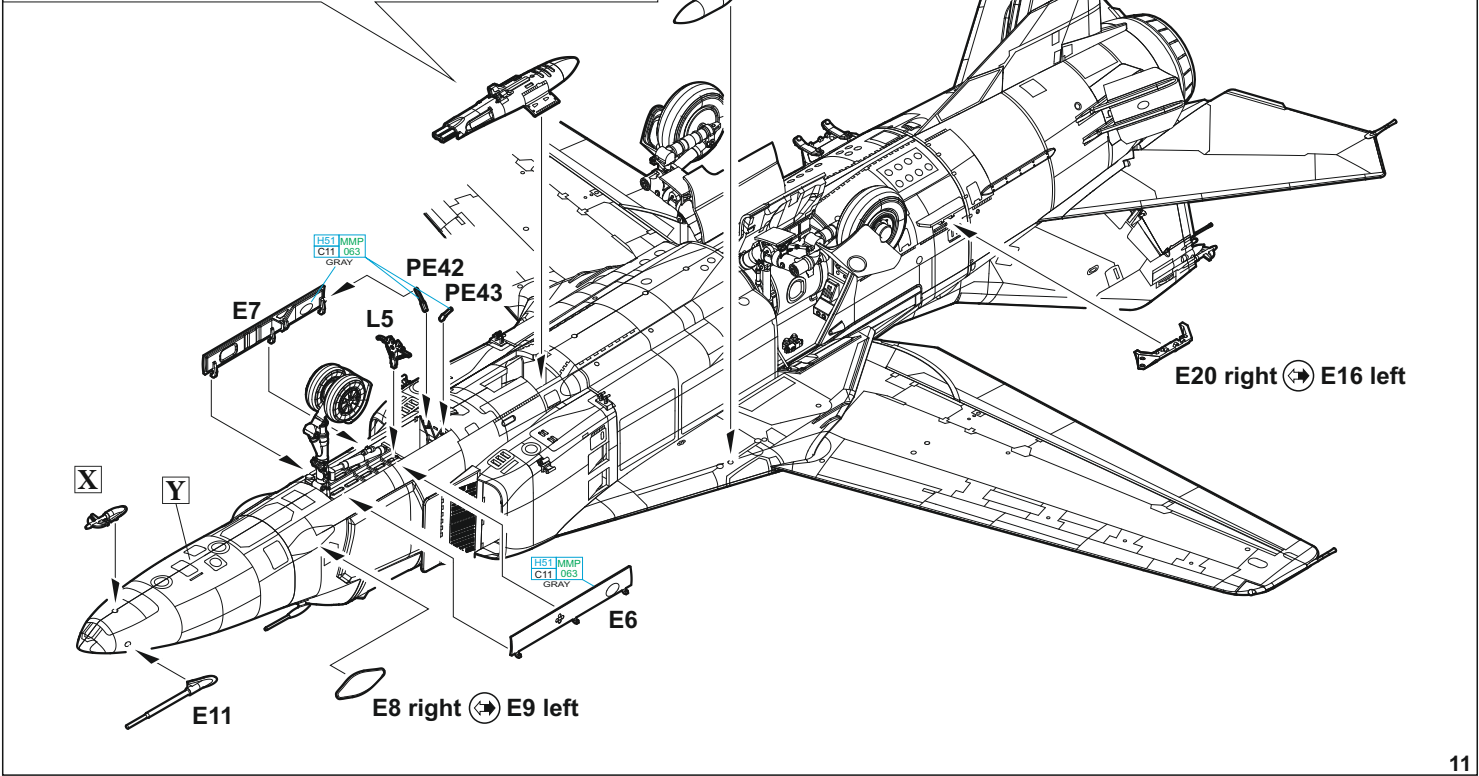
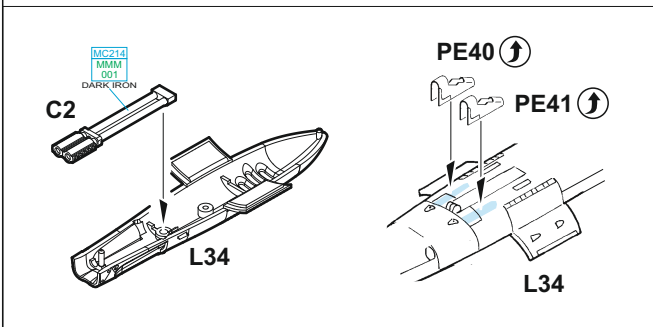
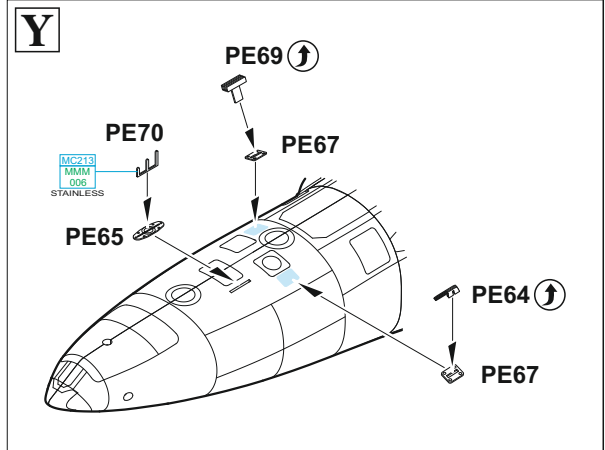
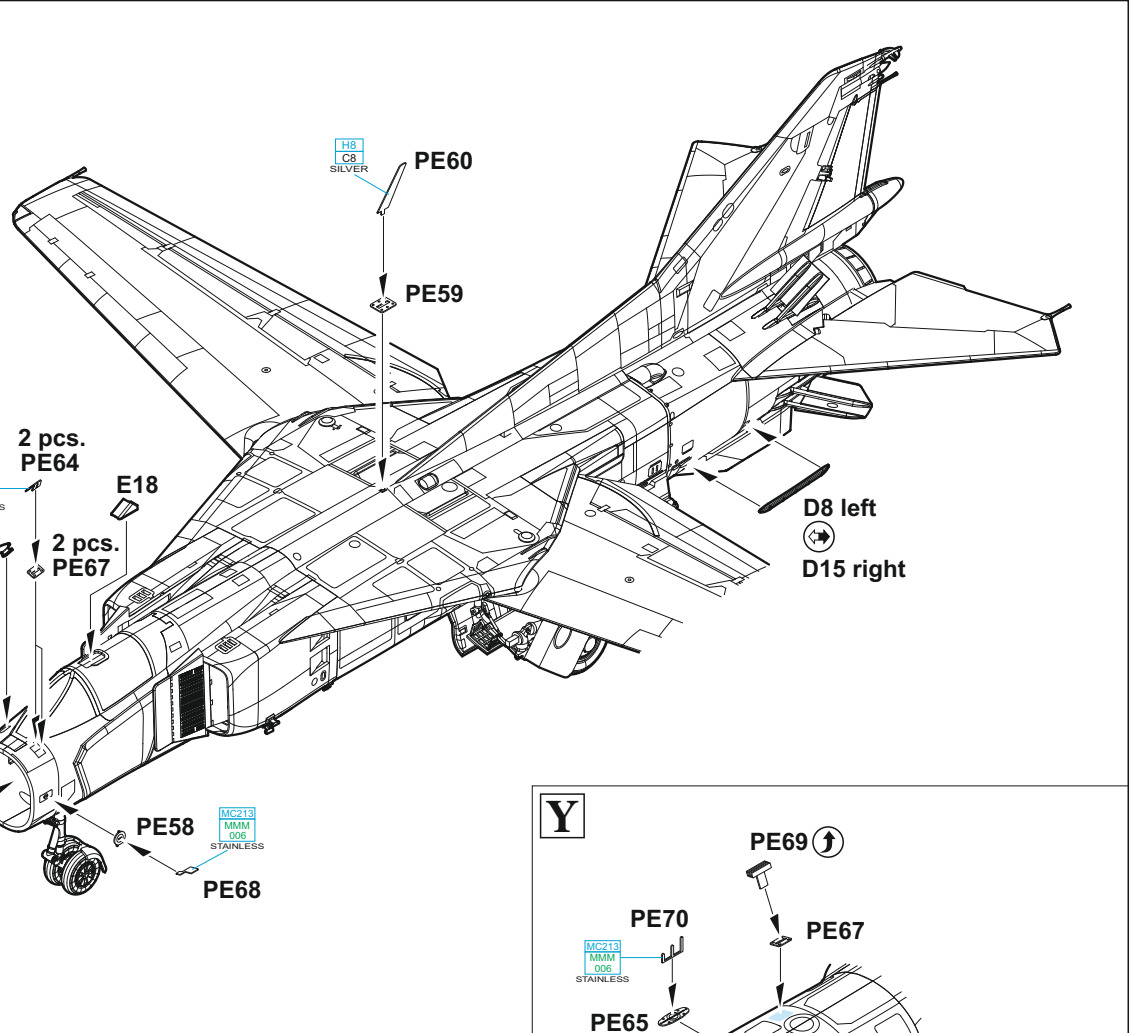
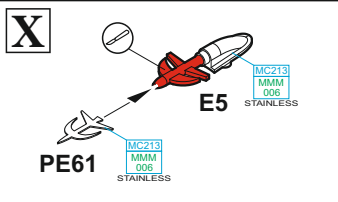




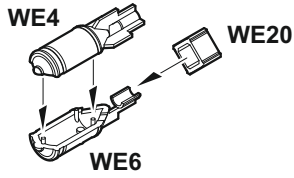


F = H51 MMP C11 063 GRAY - MARKINGS **A; B; C; D; F; G; H**
UNDERSURFACE COLOR - MARKINGS **E; I**

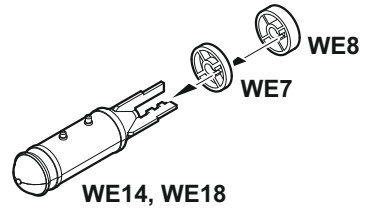




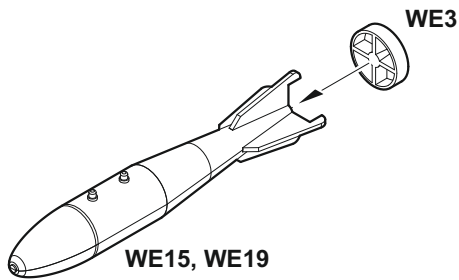
FAB-100
6 pcs.



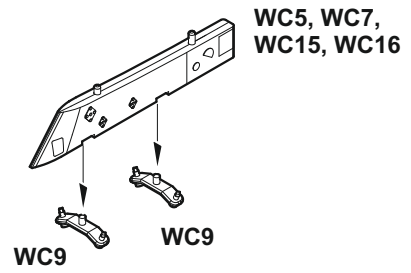
FAB-250
6 pcs.



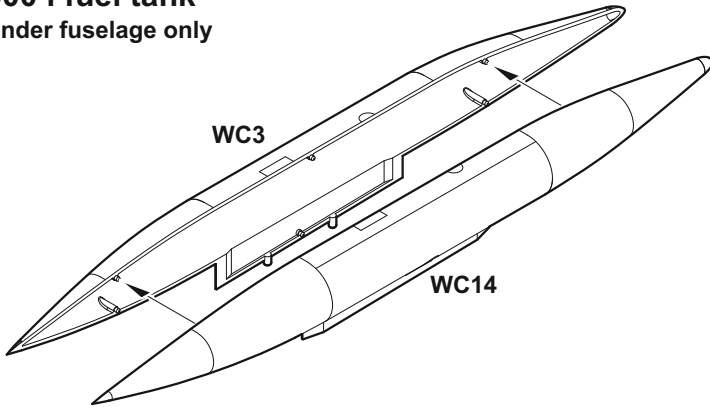
FAB-500
4 pcs.



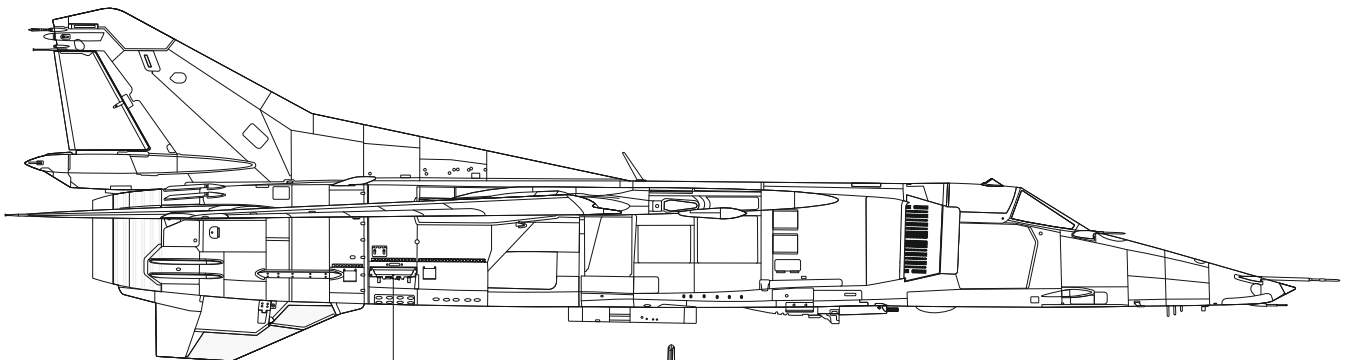
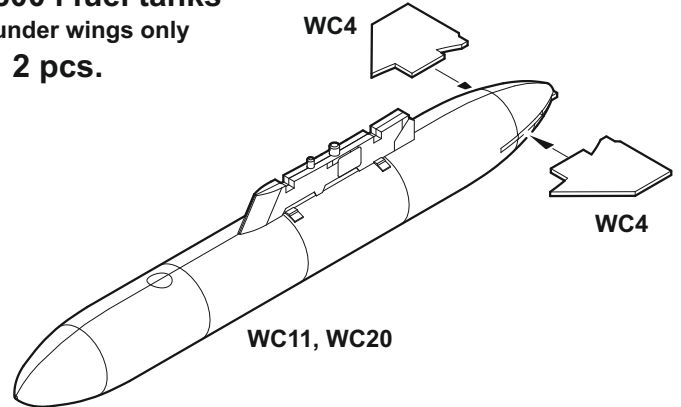
4 pcs.



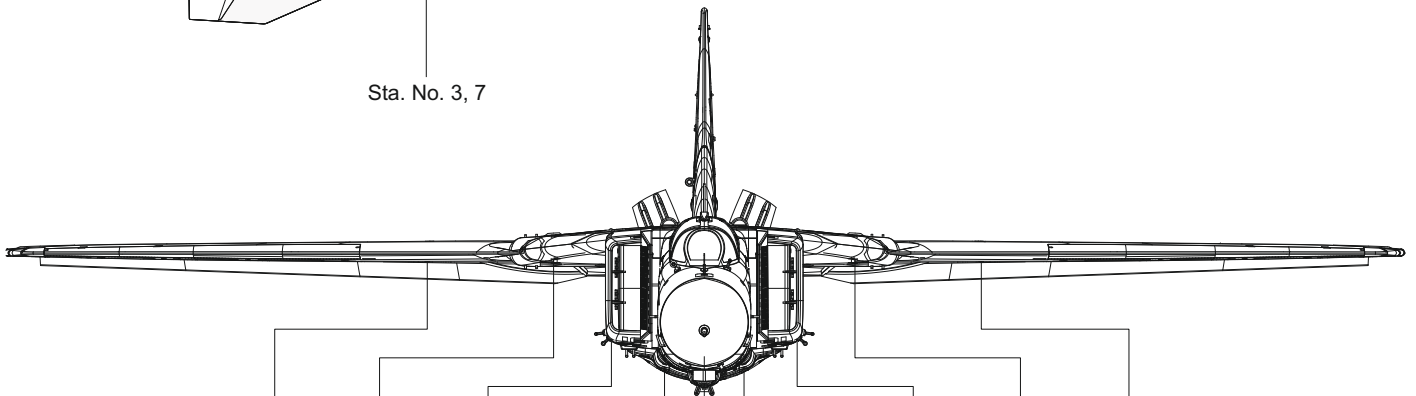
800 l fuel tank
under fuselage only



800 l fuel tanks
under wings only
2 pcs.



Sta. No. 3, 7

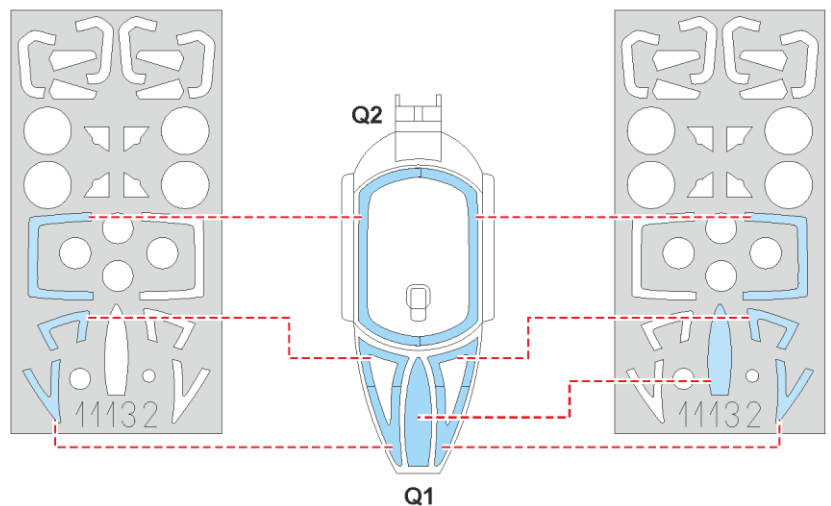
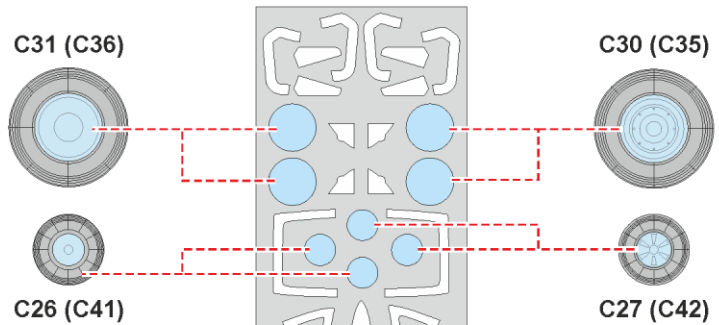
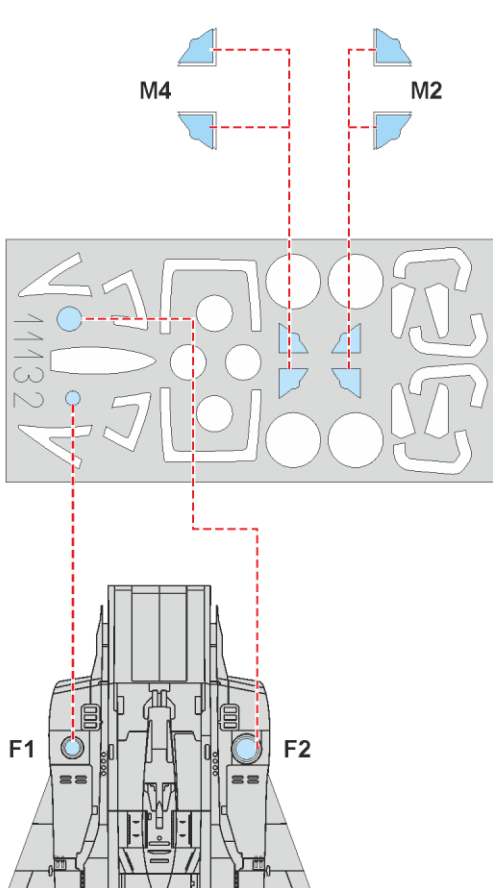
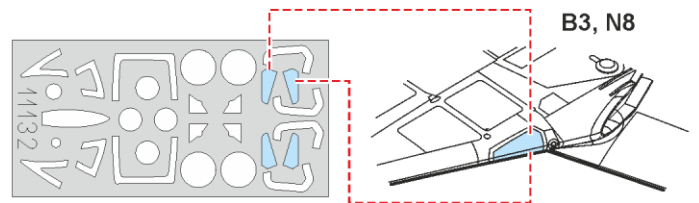
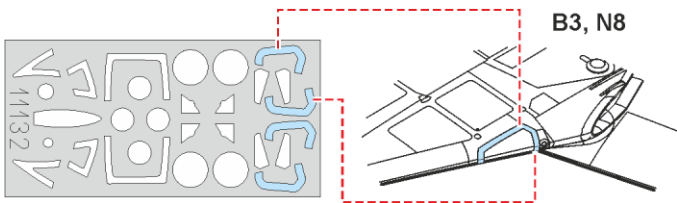


Sta.No.	WC5, WC7		WC15, WC16		WC15, WC16		WC5, WC7		
Bomb/Tank	1	2	3	4	5	6	7	8	9
FAB-100		●	●	●		●	●	●	
FAB-250		●	●	●		●	●	●	
FAB-500		●		●		●		●	
800 l fuel tanks					●				
800 l fuel tanks	●								●



GSI Creos (GUNZE)		MISSION MODELS	
AQUEOUS	Mr.COLOR	PAINTS	
H1	C1		WHITE
H2	C2	MMP-047	BLACK
H3	C3	MMP-003	RED
H4	C4	MMP-007	YELLOW
H5	C5	MMP-048	BLUE
H6	C6	MMP-004	GREEN
H7	C7	MMP-002	BROWN
H8	C8		SILVER
H11	C62	MMP-001	FLAT WHITE
H12	C33	MMP-047	FLAT BLACK
H14	C59	MMP-005	ORANGE
H24	C58		ORANGE YELLOW
H26	C66		BRIGHT GREEN
H27	C44		TAN
H37	C43		WOOD BROWN
H47	C41	MMP-012	RED BROWN
H51	C11	MMP-063	LIGHT GULL GRAY
H53	C13		NEUTRAL GRAY
H65	C18	MMP-088	BLACK GREEN
H66	C119		SAND YELLOW
H69	C37	MMP-050	GRAY
H71	C21		MIDDLE STONE
H72	C369	MMP-078	DARK EARTH
H77	C137	MMP-040	TIRE BLACK
H79	C39		SANDY YELLOW
H80	C54		KHAKI GREEN
H81	C55	MMP-023	KHAKI
H90	C47		CLEAR RED
H91	C48		CLEAR YELLOW

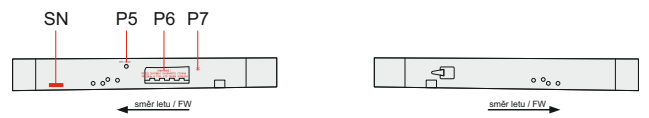
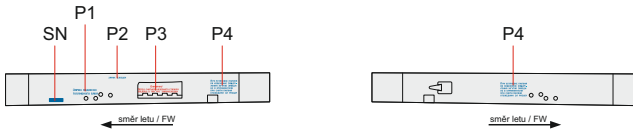
GSI Creos (GUNZE)		MISSION MODELS	
AQUEOUS	Mr.COLOR	PAINTS	
H94	C138		CLEAR GREEN
H108	C108		CHARACTER RED
H304	C304	MMP-026	OLIVE DRAB
H308	C308	MMP-073	GRAY
H311	C311	MMP-095	GRAY
H312	C312		GREEN
H318	C318	MMP-070	RADOME
H323	C323		LIGHT BLUE
H329	C329	MMP-041	YELLOW
H332	C332		LIGHT AIRCRAFT GRAY
H338	C338	MMP-116	LIGHT GRAY
H340	C340		FIELD GREEN
H405	C126		OLIVE GREEN
H417	C117	MMP-051	LIGHT BLUE
H422	C122	MMP-053	LIGHT GREEN
H423	C123	MMP-054	DARK GREEN
	C19		SANDY BROWN
	C29	MMP-111	HULL RED
	C35		GRAY
	C124		DARK GREEN
	C125	MMP-108	OLIVE GREEN
	C135	MMP-018	RUSSIAN GREEN
	C136	MMP-032	RUSSIAN GREEN
	C391		INTERIOR GREEN
Mr.METAL COLOR		METALLICS	
	MC213	MMM-006	STEEL
	MC214	MMM-001	DARK IRON
Mr.COLOR SUPER METALLIC		METALLICS	
	SM01	MMC-001	SUPER CHROME



PODTRUPOVÝ ZÁVĚŠNÍK FUSELAGE PYLON

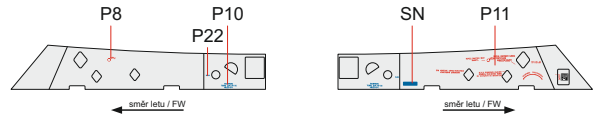
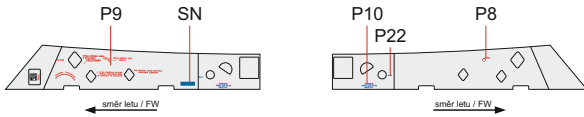
SN - SERIAL NUMBER

PODTRUPOVÝ ZÁVĚŠNÍK-overhaul FUSELAGE PYLON-overhaul



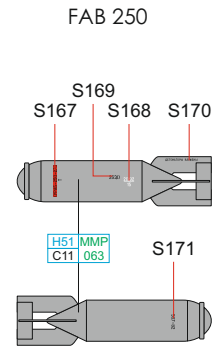
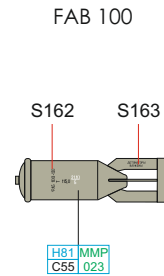
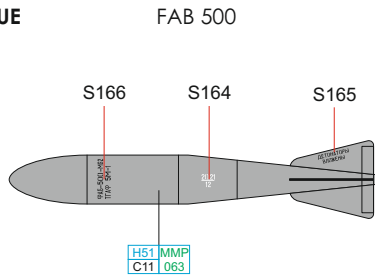
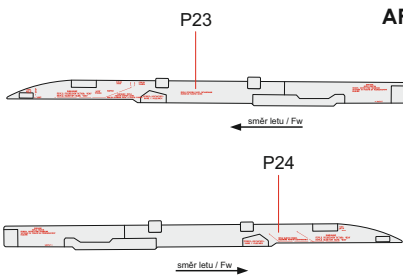
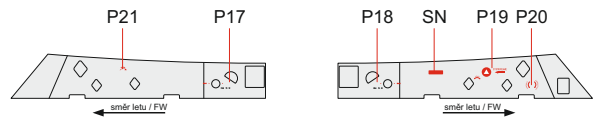
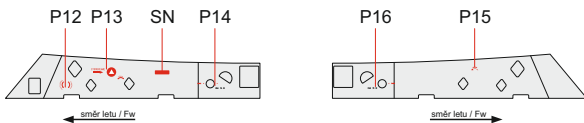
LEVÝ PODTRUPOVÝ ZÁVĚŠNÍK BD3 LEFT FUSELAGE PYLON BD3

PRÁVÝ PODTRUPOVÝ ZÁVĚŠNÍK BD3 RIGHT FUSELAGE PYLON BD3



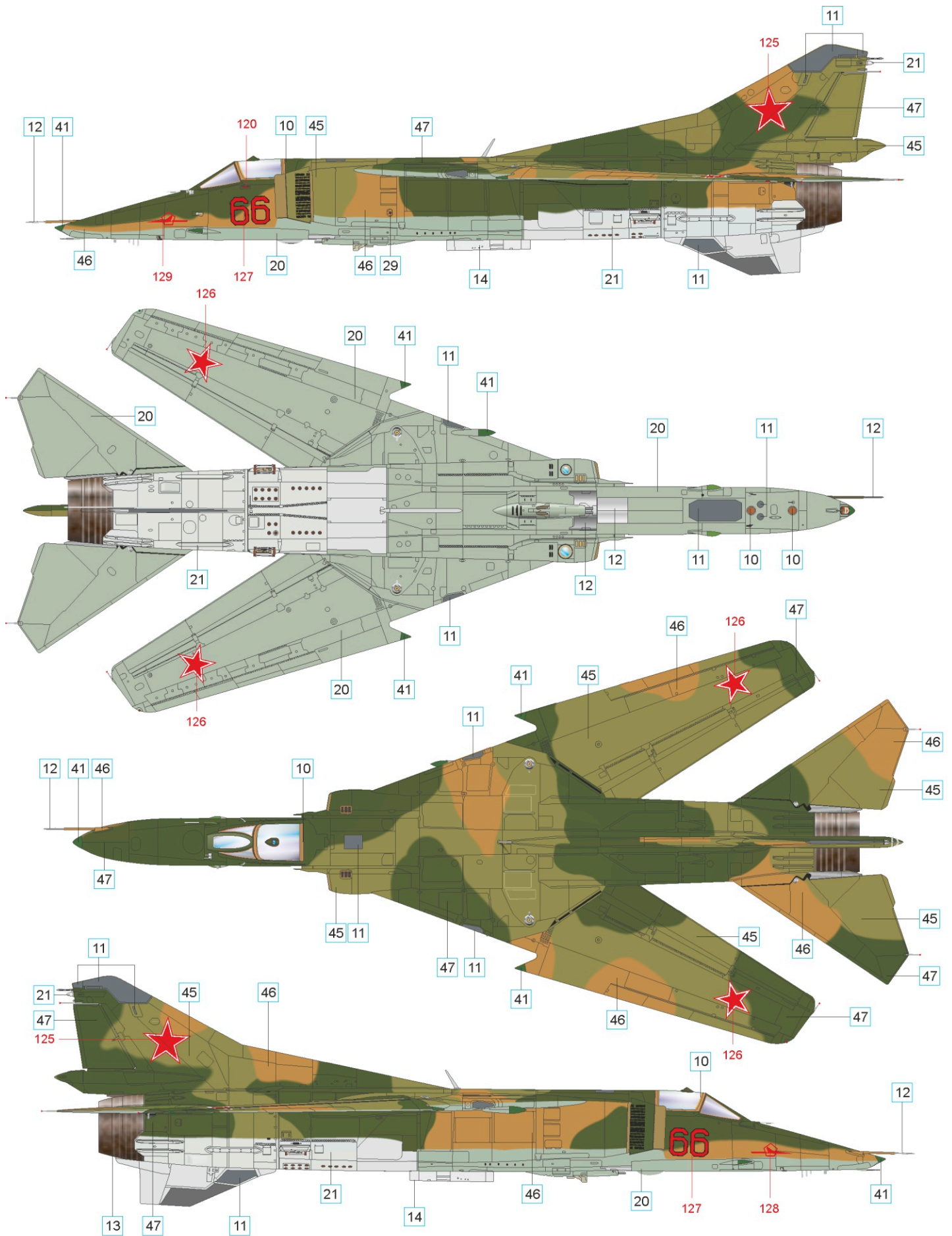
LEVÝ PODTRUPOVÝ ZÁVĚŠNÍK BD3 MF-overhaul LEFT FUSELAGE PYLON BD3 MF-overhaul

PRÁVÝ PODTRUPOVÝ ZÁVĚŠNÍK BD3 MF-overhaul RIGHT FUSELAGE PYLON BD3 MF-overhaul

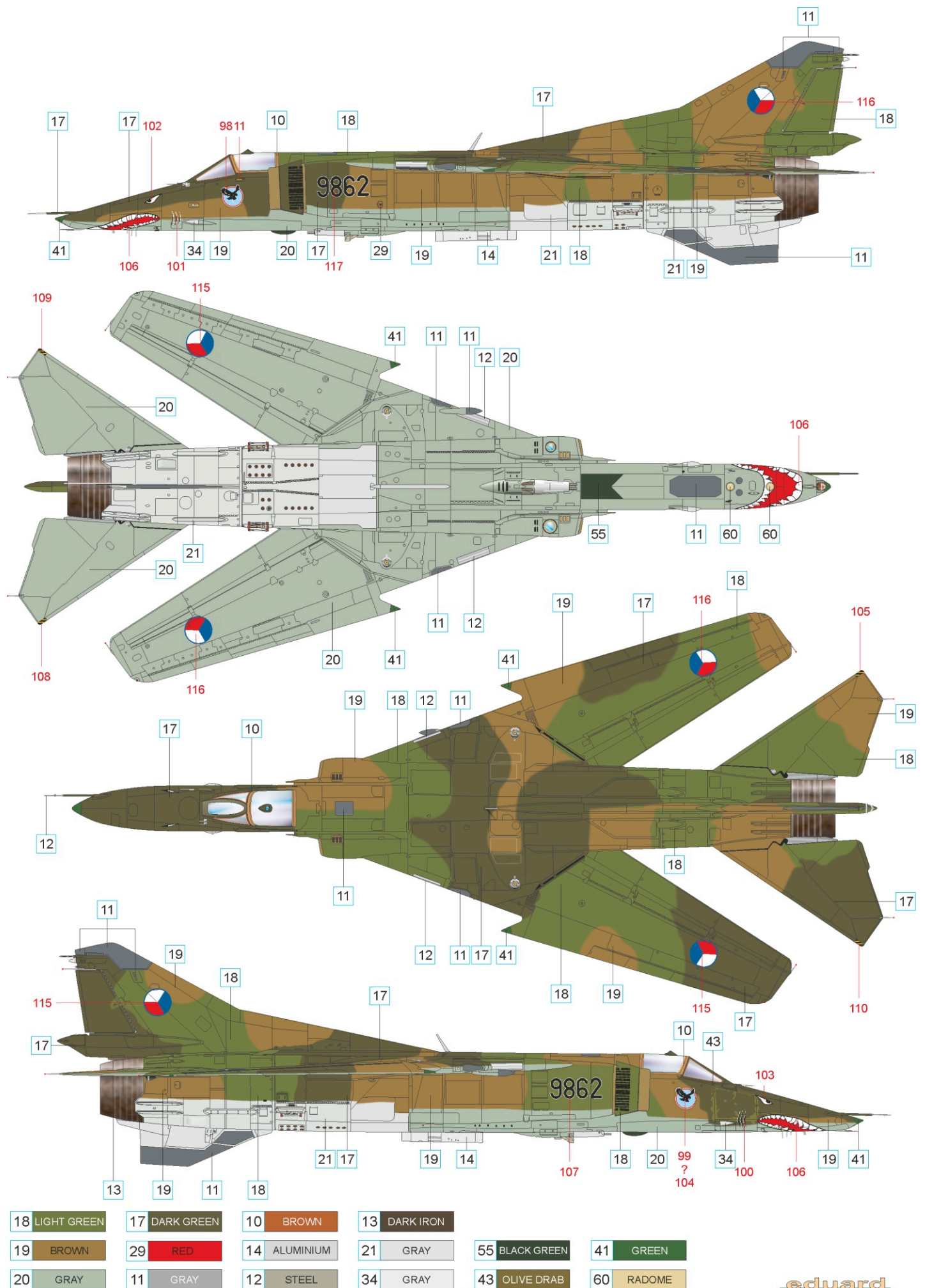


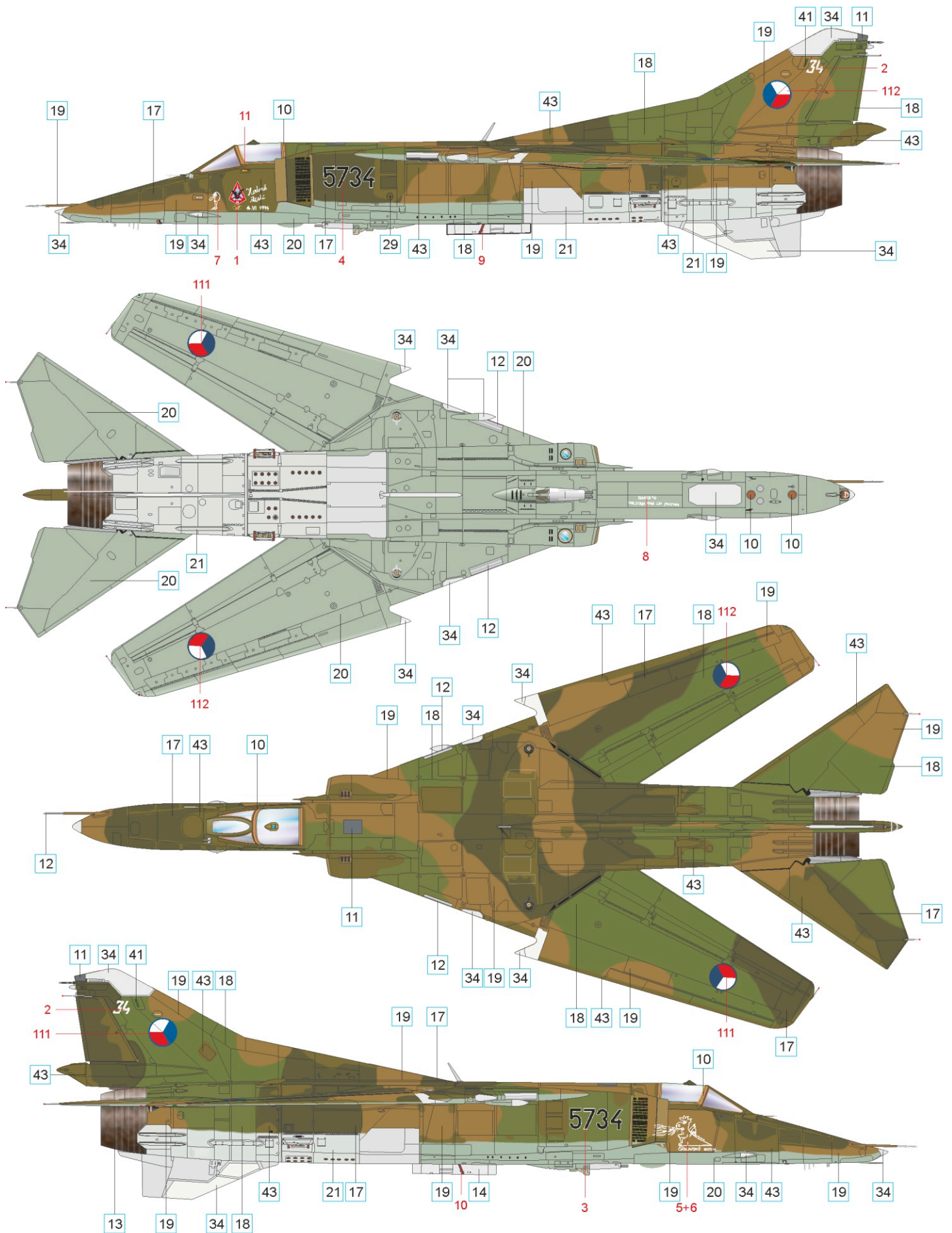
HOBBY PAINTS RECOMMENDED

10	BROWN	H66 C119	-	29	RED	H3 C3	MMP C3 003	53	RED	H108 C108	-					
11	GRAY	H69 C37	MMP 050	30	YELLOW	H329 C329	MMP 041	54	OLIVE GREEN	-	MMP C125 108					
12	STEEL	MC213	MMM 006	34	GRAY	H311 C311	MMP 095	55	BLACK GREEN	H65 C18	MMP 088					
13	DARK IRON	MC214	MMM 001	35	GRAY	80% H308 C308	MMP 073	+ 20% H11 C62	MMP 001	56	LIGHT GREEN	85% H312 C312	+ 15% H11 C62	MMP 001		
14	ALUMINIUM	SM01	MMC 001	41	GREEN	90% H6 C6	MMP 004	+ 10% H12 C33	MMP 047	57	BROWN	95% H27 C44	+ 5% H3 C3	MMP 003		
15	LIGHT BROWN	45% H79 C39	+ 45% H24 C58	+ 10% H1 C1	43	OLIVE DRAB	50% H304 C304	MMP 026	+ 50% H405 C126	MMP 047	58	DARK GREEN	-	MMP C136 032		
17	DARK GREEN	90% H80 C54	+ 10% H12 C33	44	BROWN	40% H5 C5	MMP 048	+ 30% H3 C3	MMP 003	+ 30% H4 C4	MMP 007	59	GRAY	H338 C338	MMP 116	
18	LIGHT GREEN	50% H312 C312	+ 50% H27 C44	45	GREEN	50% H312 C312	-	+ 50% H11 C62	-	60	RADOME	H318 C318	MMP 070			
19	BROWN	30% H37 C43	+ 70% H27 C44	46	BROWN	70% H27 C44	-	+ 20% H37 C43	-	+ 10% H11 C62	-	61	GREEN	H340 C340	-	
20	GRAY	H417 C117	MMP 051	47	GREEN	70% H5 C54	-	+ 30% H19 C19	-	62	BROWN	-	MMP C369 078	+ 30% H29 C29	MMP 003	
21	GRAY	80% H35 C35	+ 20% H1 C1	48	GREEN	-	C124	-	63	DARK GREEN	H423 C123	MMP 054	64	24 DARK GREEN	+ 20% H2 C2	MMP 047
23	GRAY-BLUE	90% H308 C308	MMP 073	+ 5% H11 C62	MMP 001	+ 5% H5 C5	MMP 048	49	LIGHT BLUE	H323 C323	-	65	62 BROWN	80% H2 C2	+ 20% H3 C3	MMP 003
24	DARK GREEN	H422 C122	MMP 053	50	YELLOW	H4 C4	MMP 007	51	ORANGE YELLOW	H24 C58	-	52	ORANGE	H14 C59	MMP 005	
25	LIGHT GREEN	50% H71 C21	+ 50% H26 C66													

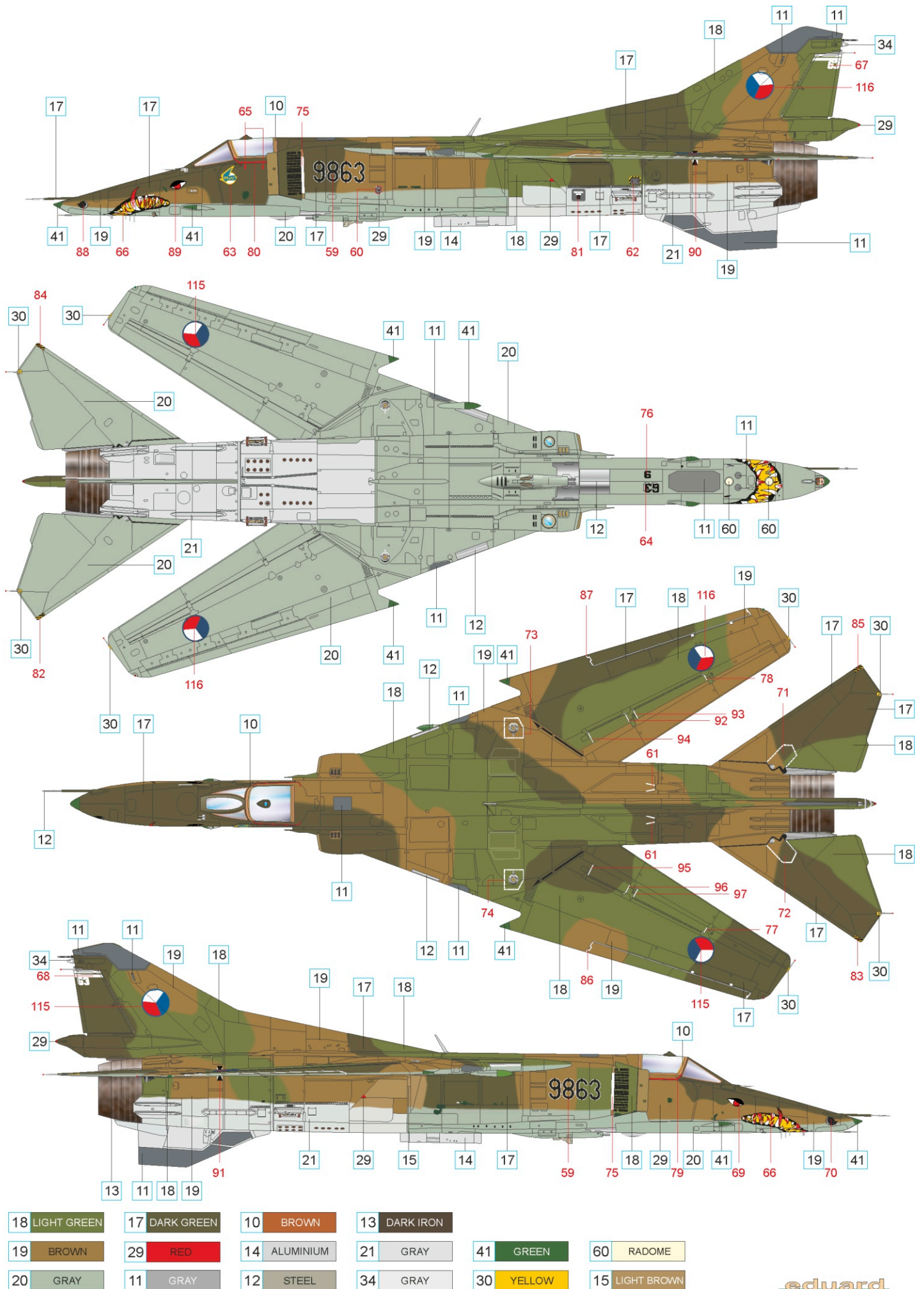


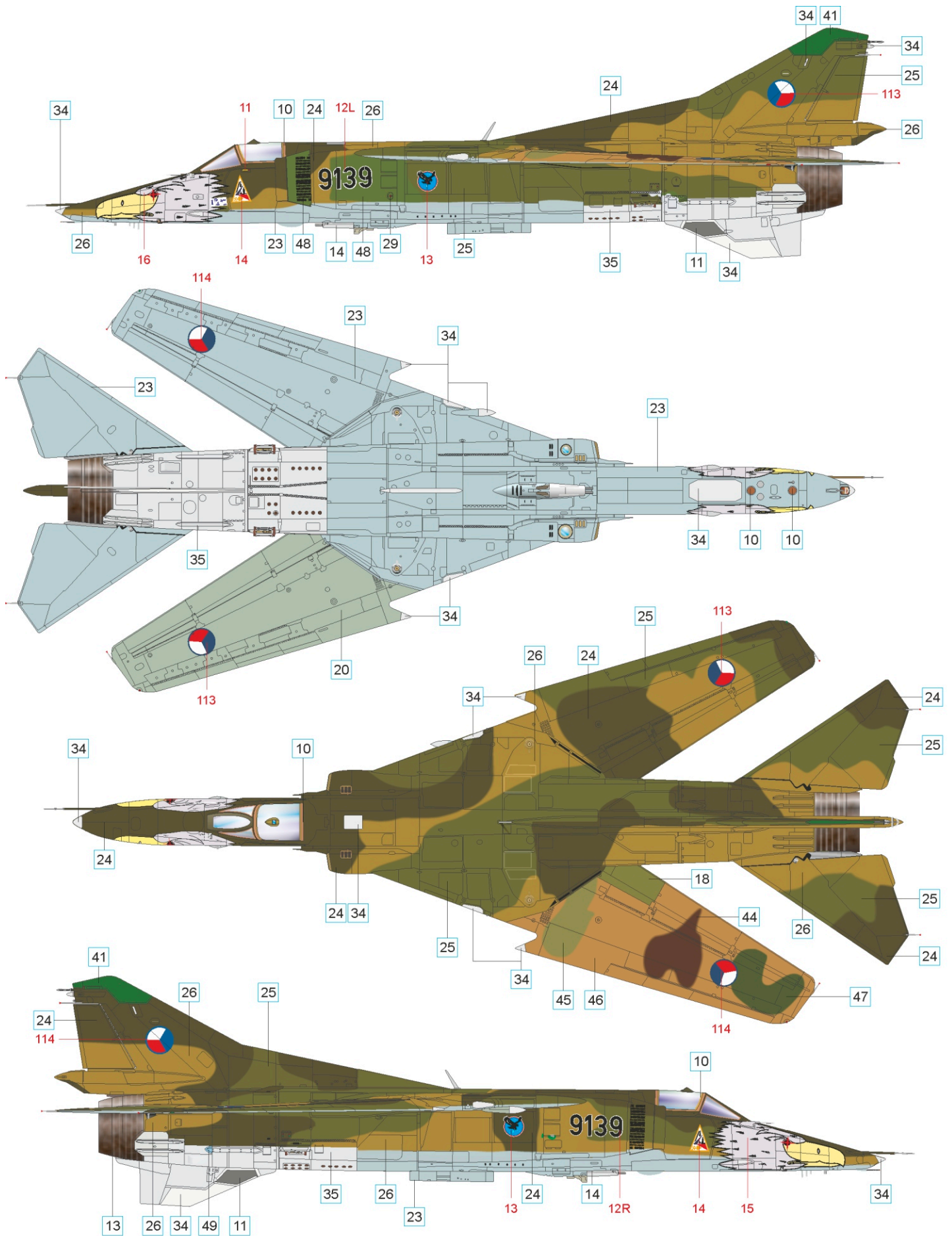
21	GRAY	13	DARK IRON	10	BROWN	12	STEEL
20	GRAY	14	ALUMINIUM	45	GREEN	41	GREEN
11	GRAY	29	RED	47	GREEN	46	BROWN



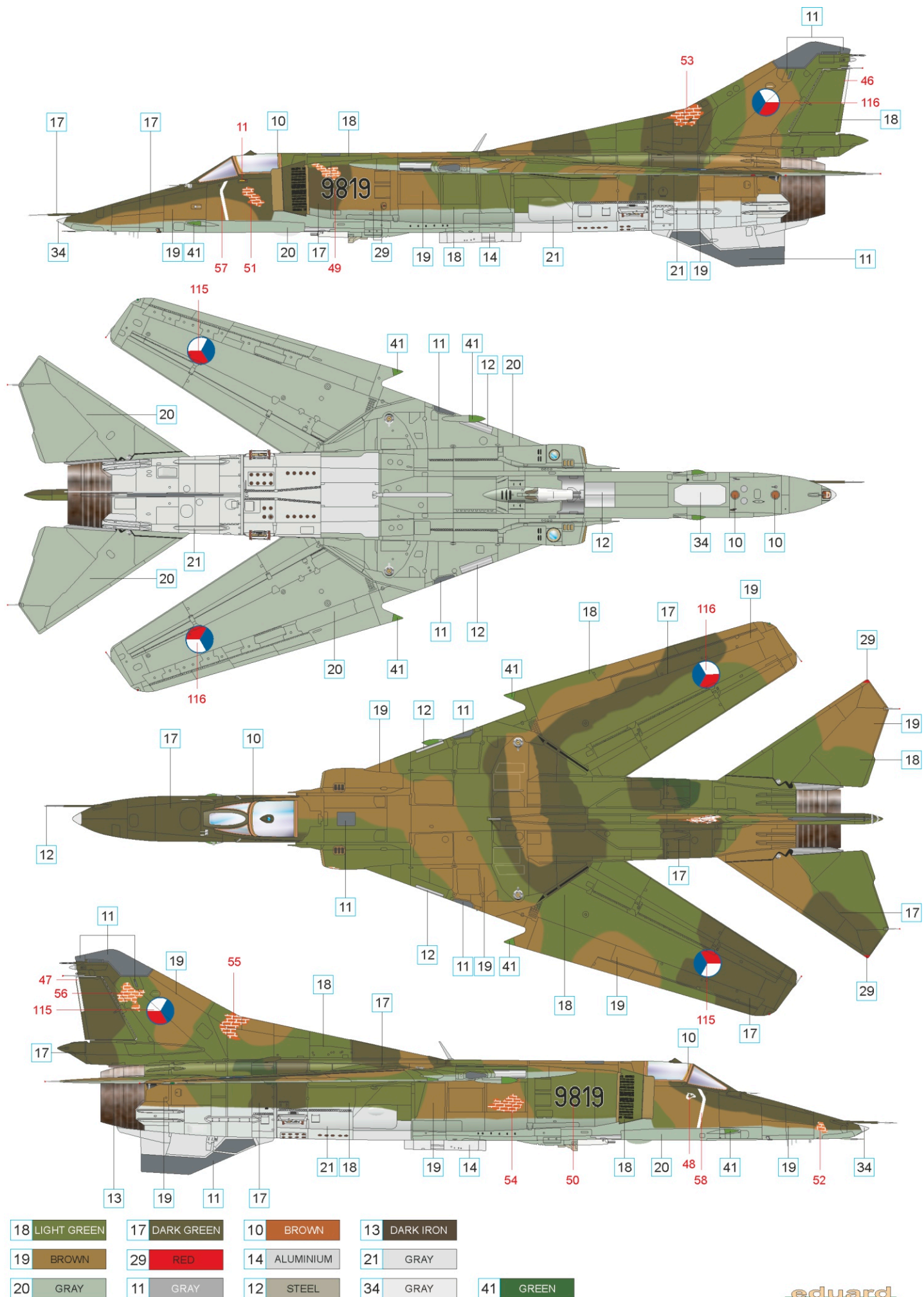


18 LIGHT GREEN	17 DARK GREEN	10 BROWN	13 DARK IRON
19 BROWN	29 RED	14 ALUMINIUM	21 GRAY
20 GRAY	11 GRAY	12 STEEL	34 GRAY
			43 OLIVE DRAB
			41 GREEN





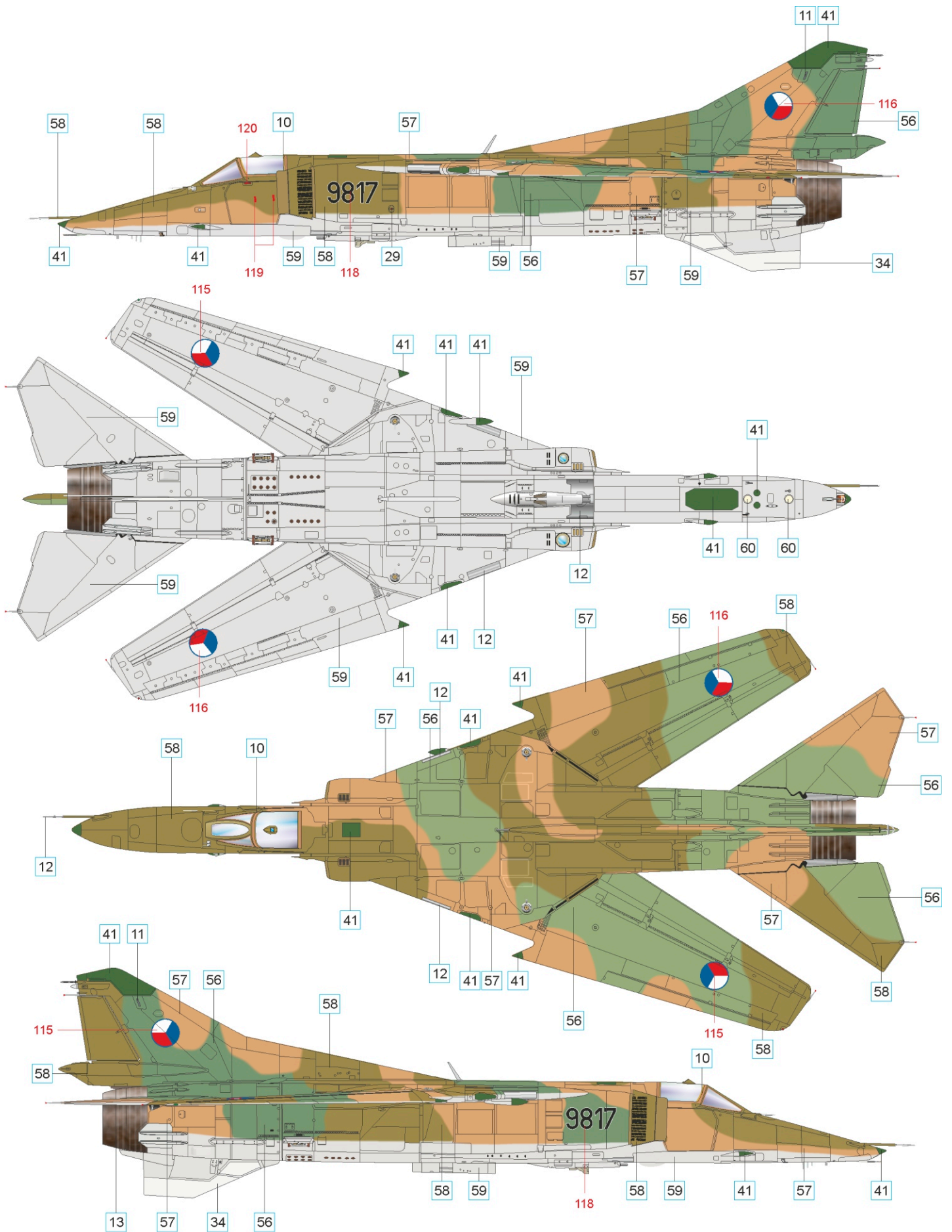
25 LIGHT GREEN	23 GRAY BLUE	13 DARK IRON	10 BROWN	44 BROWN	49 LIGHT BLUE
24 DARK GREEN	35 GRAY	14 ALUMINIUM	34 GRAY	45 GREEN	48 GREEN
26 BROWN	11 GRAY	18 LIGHT GREEN	29 RED	47 GREEN	46 BROWN
					41 GREEN



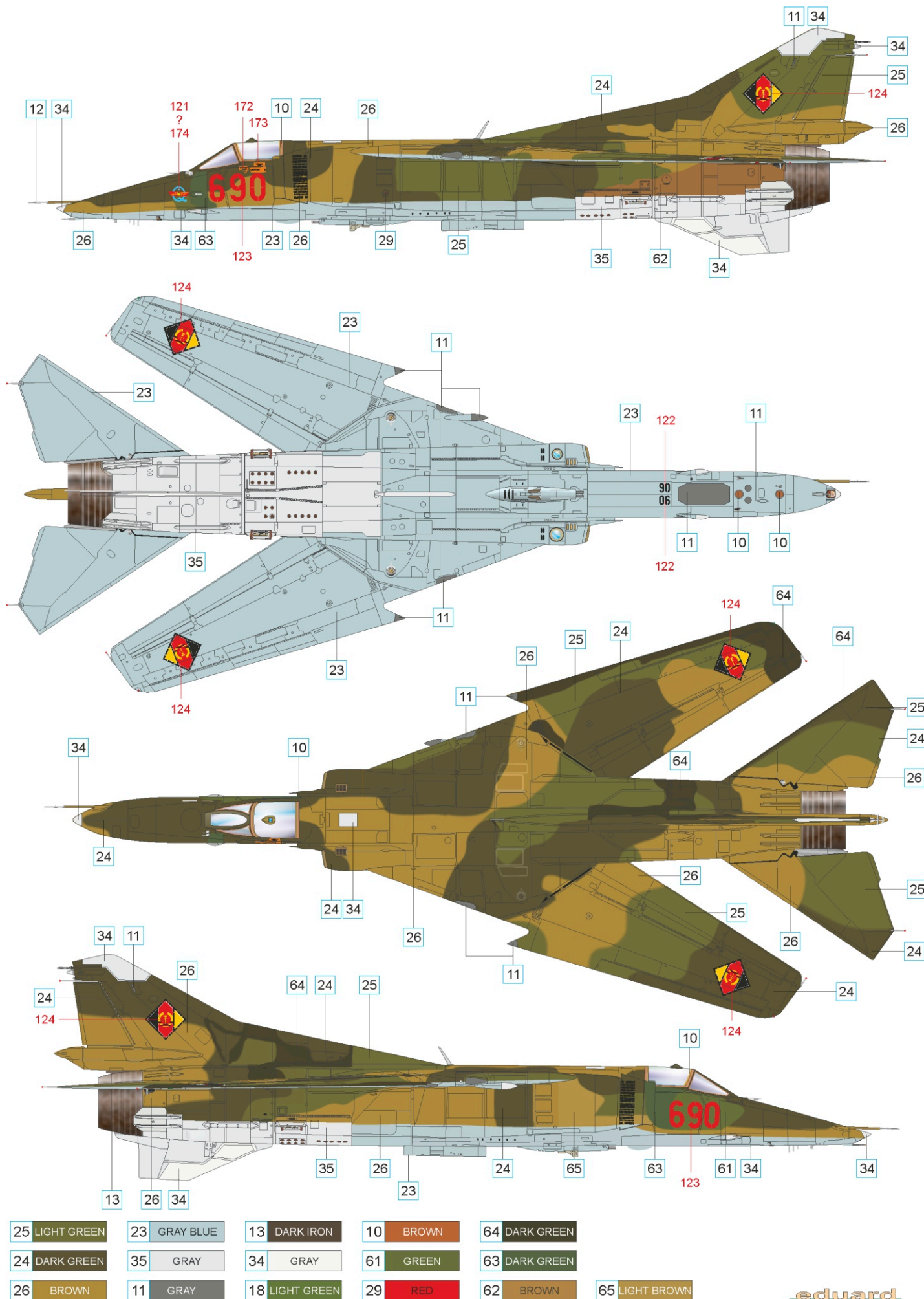


12	STEEL	53	RED	13	DARK IRON
50	YELLOW	34	GRAY		
51	ORANGE	54	BLACK BLUE		
52	ORANGE-YELLOW				

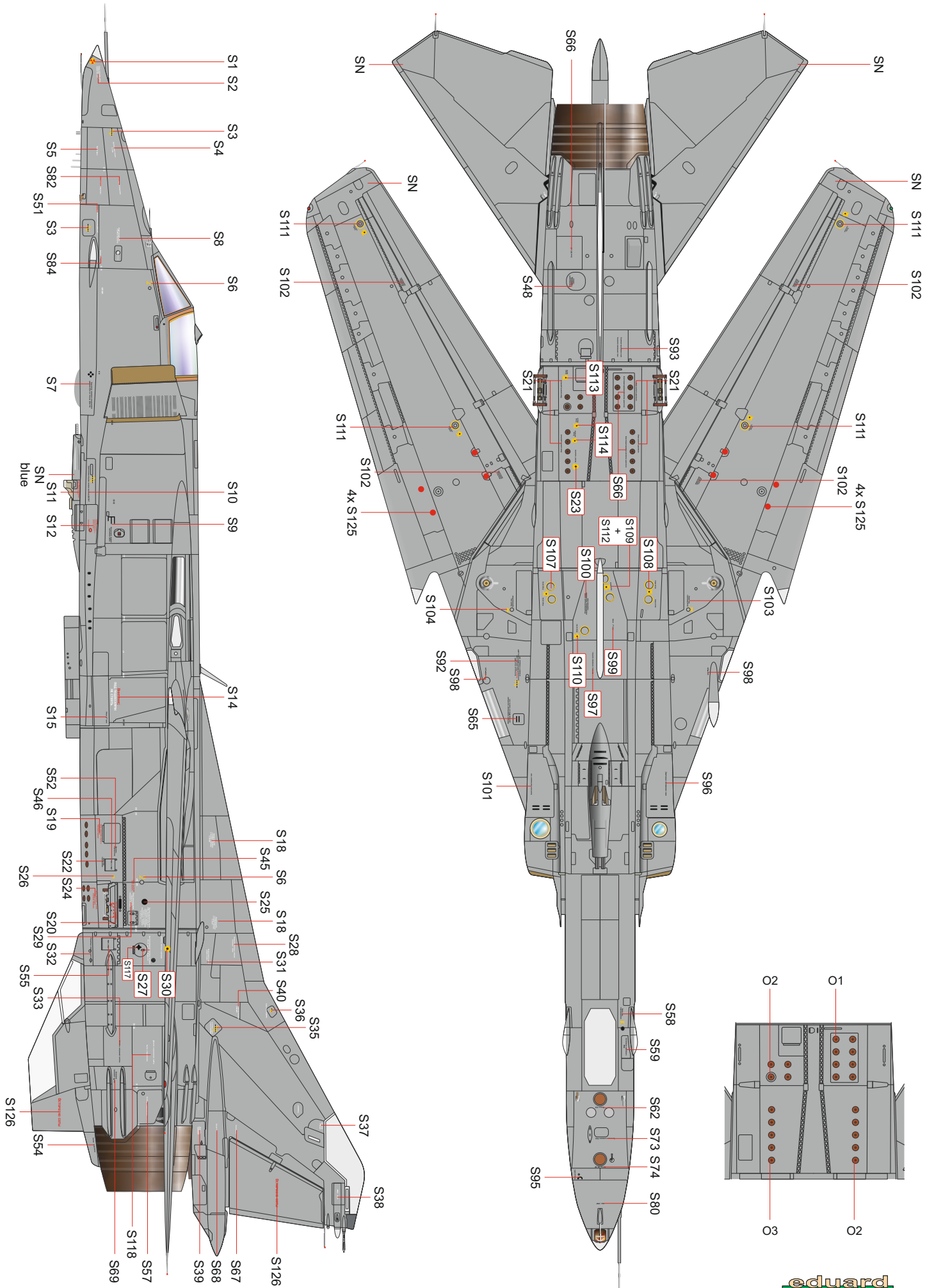
*Při použití obtisků č.22 a č.29 nepoužívat obtisky č.25 a č.26



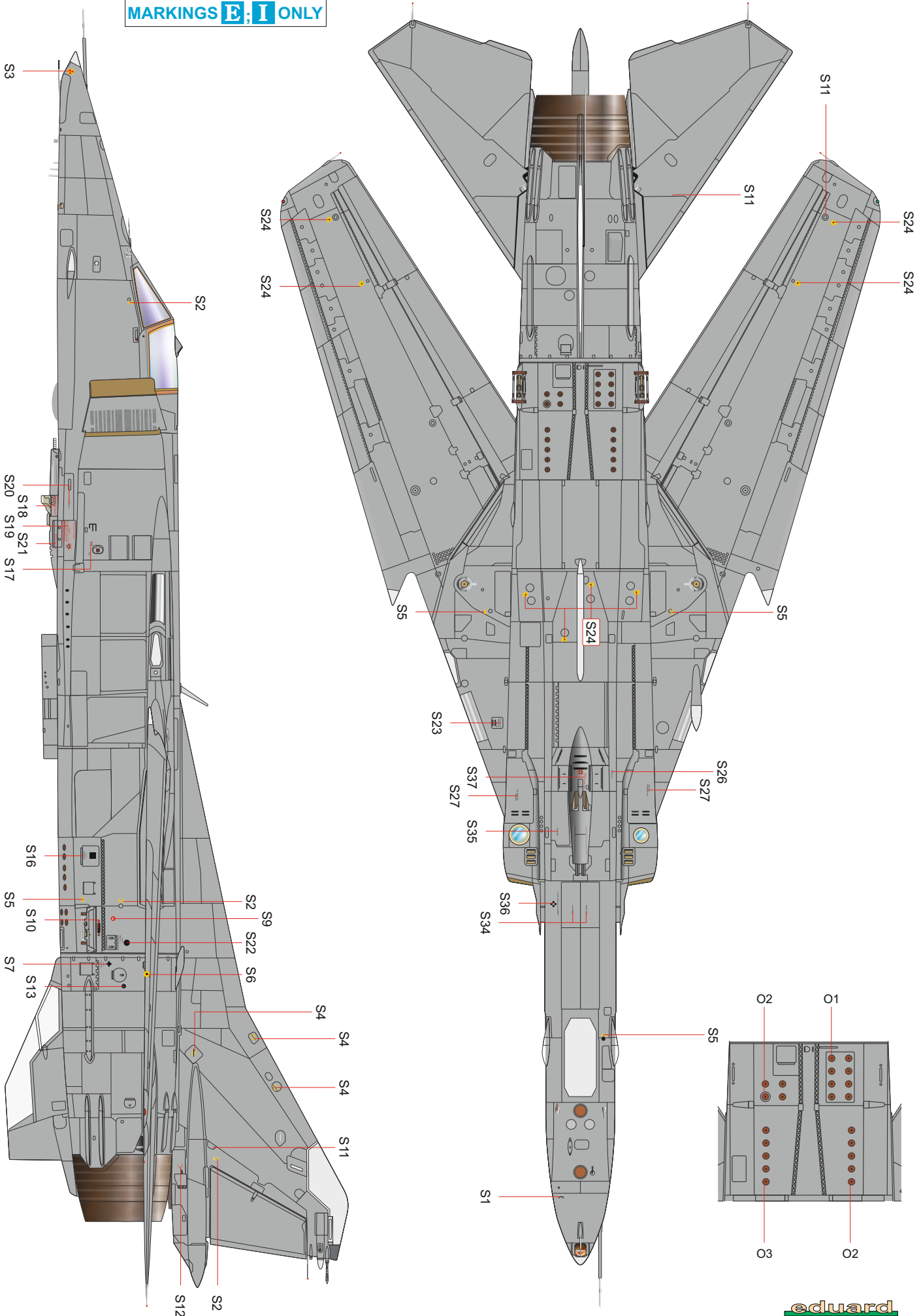
57	BROWN	29	RED	34	GRAY	60	RADOME	10	BROWN	41	GREEN
59	GRAY	58	DARK GREEN	12	STEEL	11	GRAY	13	DARK IRON	56	LIGHT GREEN



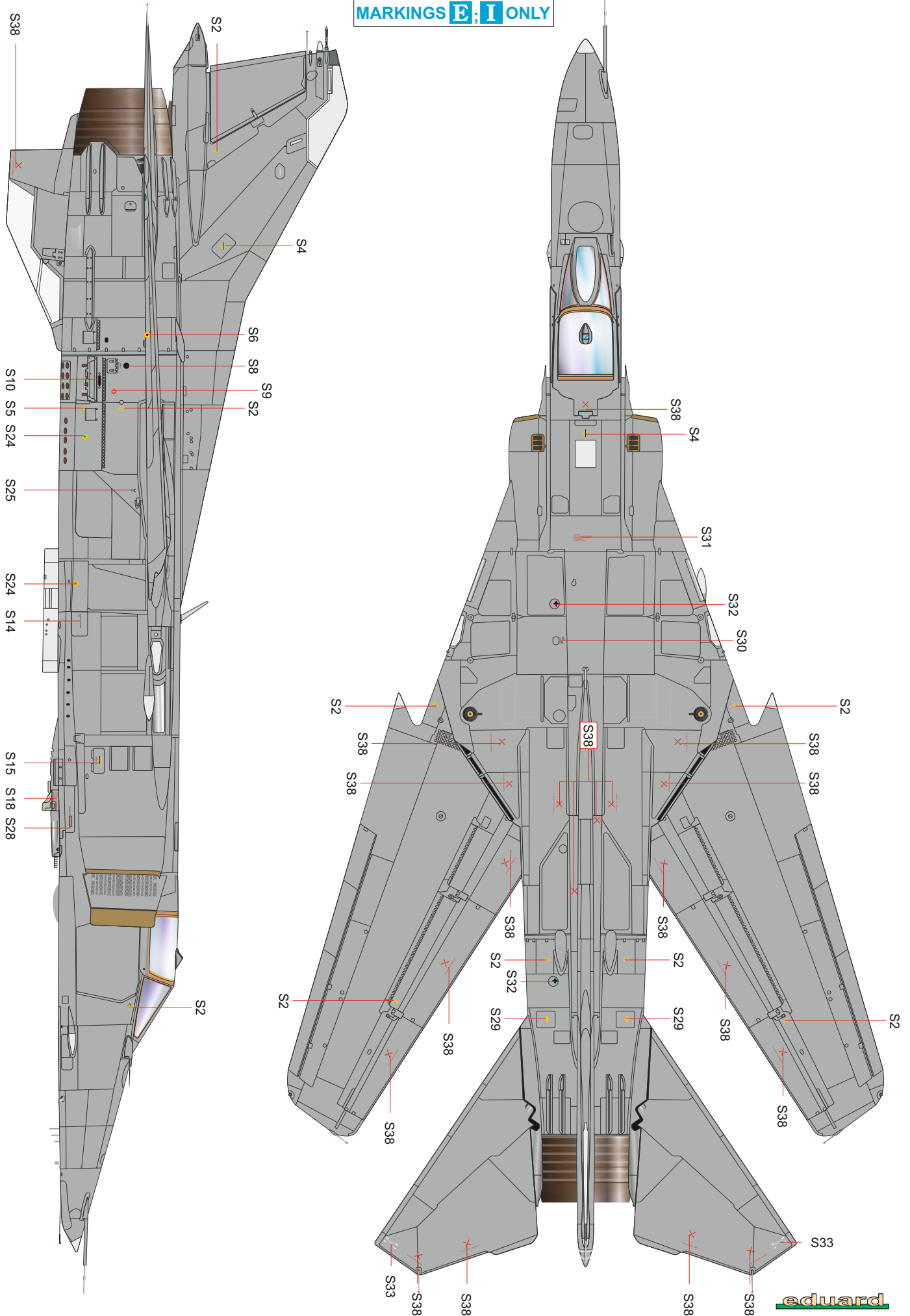
25 LIGHT GREEN	23 GRAY BLUE	13 DARK IRON	10 BROWN	64 DARK GREEN
24 DARK GREEN	35 GRAY	34 GRAY	61 GREEN	63 DARK GREEN
26 BROWN	11 GRAY	18 LIGHT GREEN	29 RED	62 BROWN
				65 LIGHT BROWN



MARKINGS **E; I** ONLY



MARKINGS **E**; **I** ONLY



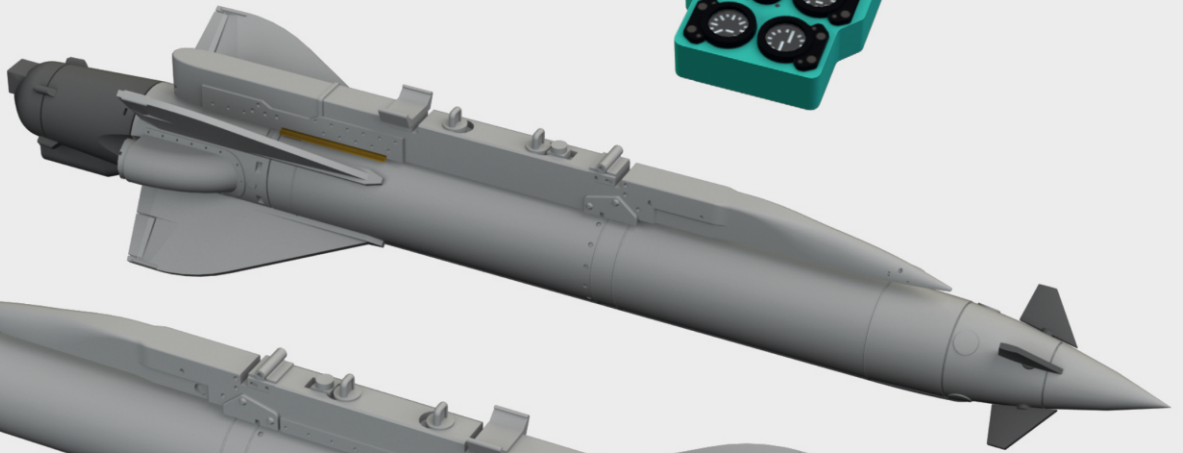
RELATED PRODUCTS for MiG-23BN:

- 48874 MiG-23BN weapons (PE-Set)
- 48875 MiG-23BN F.O.D. (PE-Set)
- 644027 MiG-23BN Löök (Brassin)
- 648268 MiG-23BN wheels (Brassin)
- 648496 PB-250 bombs (Brassin)
- 648497 UPK-23-250 gun pods (Brassin)
- 648501 Kh-23M missiles (Brassin)
- 648502 MBD-3-UT-1 multiple rack (Brassin)
- 648509 MiG-23BN exhaust nozzle (Brassin) release 11/2019
- 648510 MiG-23BN engine air intakes (Brassin) release 11/2019

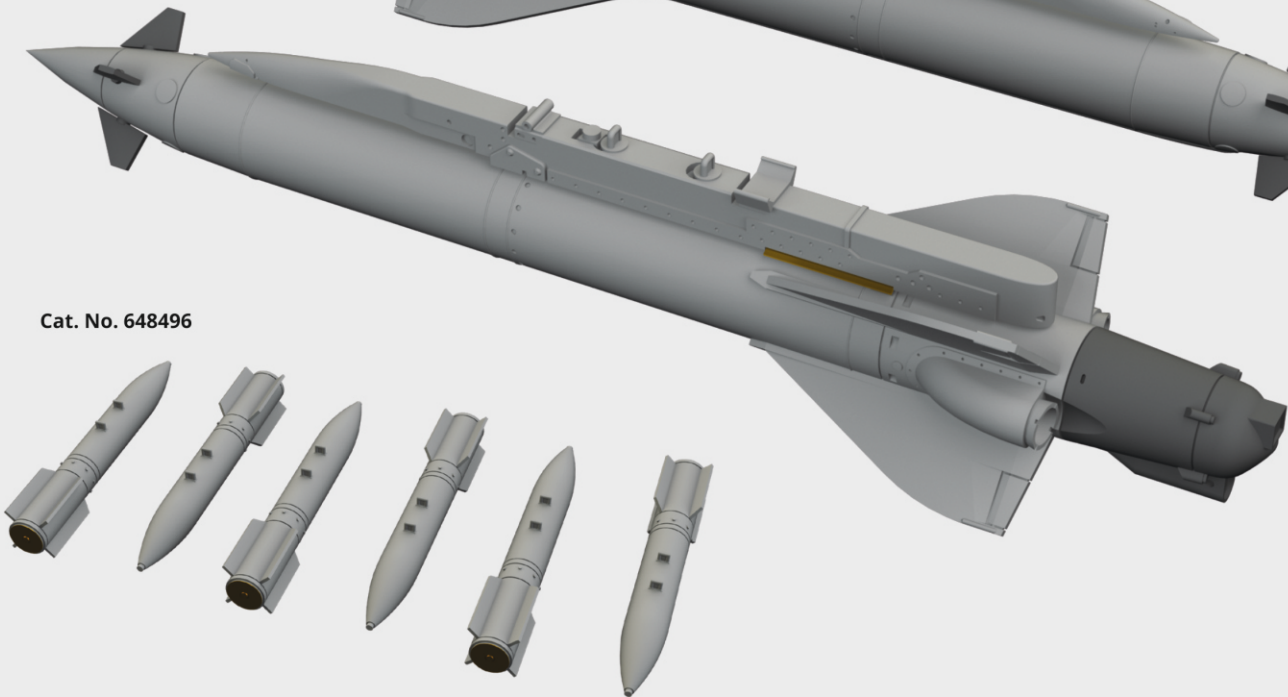


Cat. No. 644027

Cat. No. 648501



Cat. No. 648496



Cat. No. 648502

