

eduard
LIMITED EDITION

Instruction Sheet



Desert Babe

1/48

ATTENTION



UPOZORNĚNÍ



ACHTUNG



ATTENTION



注意



Carefully read instruction sheet before assembling. When you use glue or paint, do not use near open flame and use in well ventilated room. Keep out of reach of small children. Children must not be allowed to suck any part, or pull vinyl bag over the head.



Před započítím stavby si pečlivě prostudujte stavební návod. Při používání barev a lepidel pracujte v dobře větrané místnosti. Lepidla ani barvy nepoužívejte v blízkosti otevřeného ohně. Model není určen malým dětem, mohlo by dojít k požití drobných dílů.

INSTRUCTION SIGNS

* INSTR. SYMBOLS

* INSTRUKTION

* SINNBILDEN

* SYMBOLES

* 記号の説明

OPTIONAL
VOLBABEND
OHNOUTSAND
BROUSITOPEN HOLE
VYVRTAT OTVORSYMETRICAL ASSEMBLY
SYMETRICKÁ MONTÁŽREMOVE
ODŘÍZNOUTREVERSE SIDE
OTOČITAPPLY EDUARD MASK
AND PAINT
POUŽIT EDUARD MASK
NABARVIT

PARTS



DÍLY



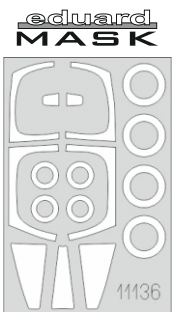
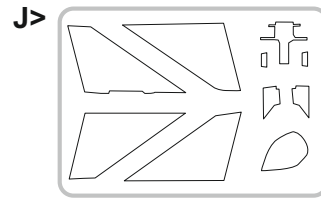
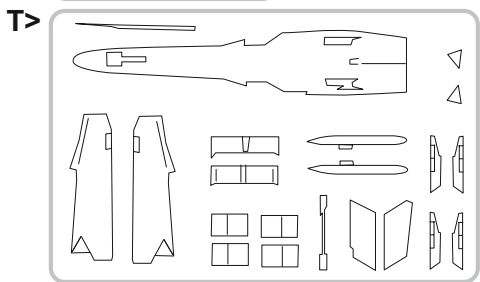
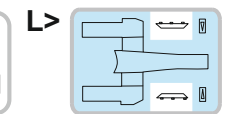
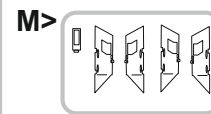
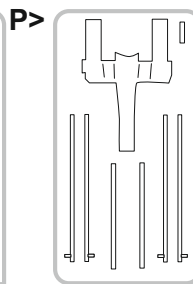
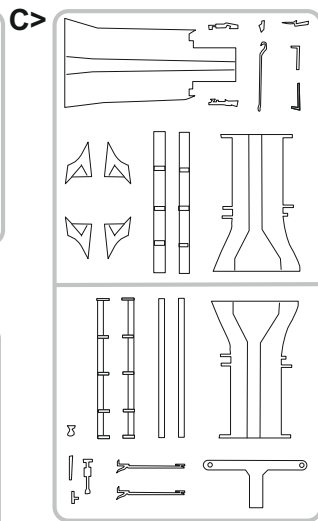
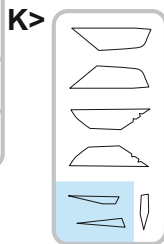
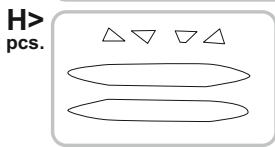
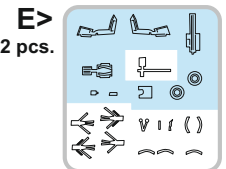
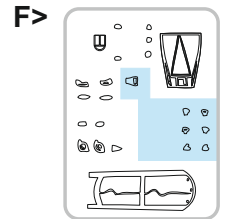
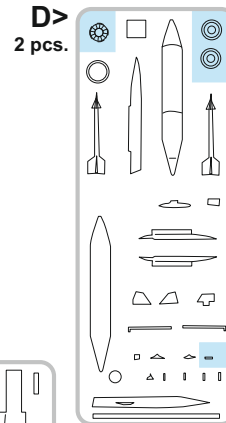
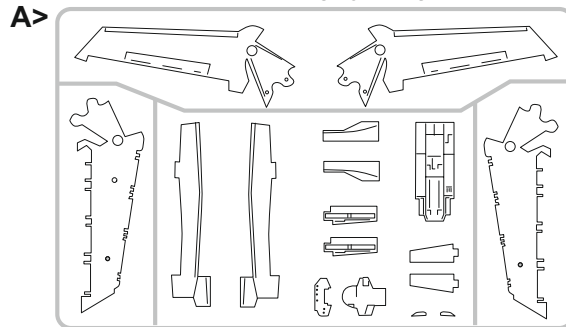
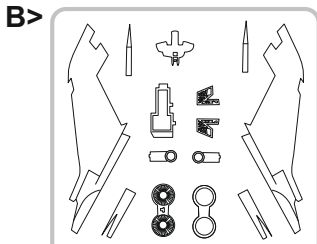
TEILE



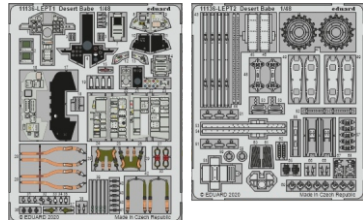
PIÈCES



部品



PE - PHOTO ETCHED DETAIL PARTS



RP - RESIN PARTS



R1 2pcs.

R4
2pcs.R5
2pcs.R6
2pcs.R9
2pcs.R7
2pcs.R8
2pcs.R10
2pcs.R11
2pcs.

FILM

11136
Desert Babe

-Parts not for use. -Teile werden nicht verwendet. -Pièces à ne pas utiliser. -Tyto díly nepoužívejte při stavbě. - 使用しない部品

COLOURS



BARVY



FARBEN



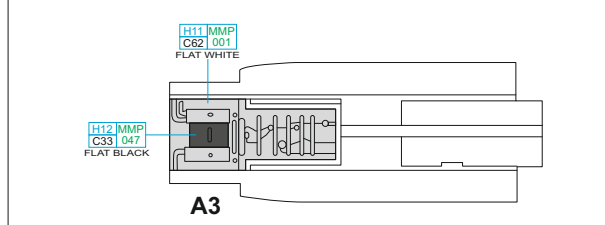
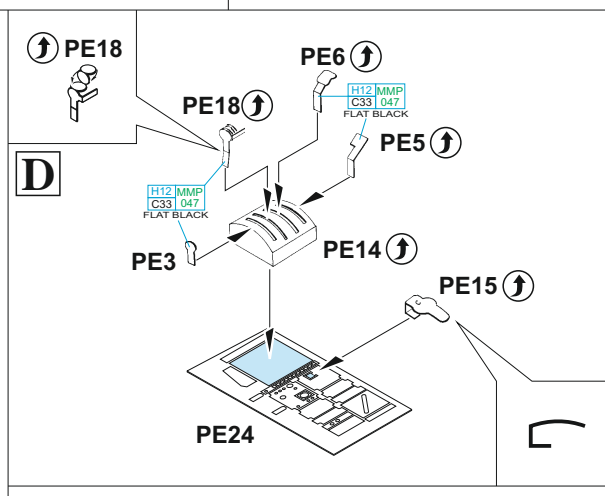
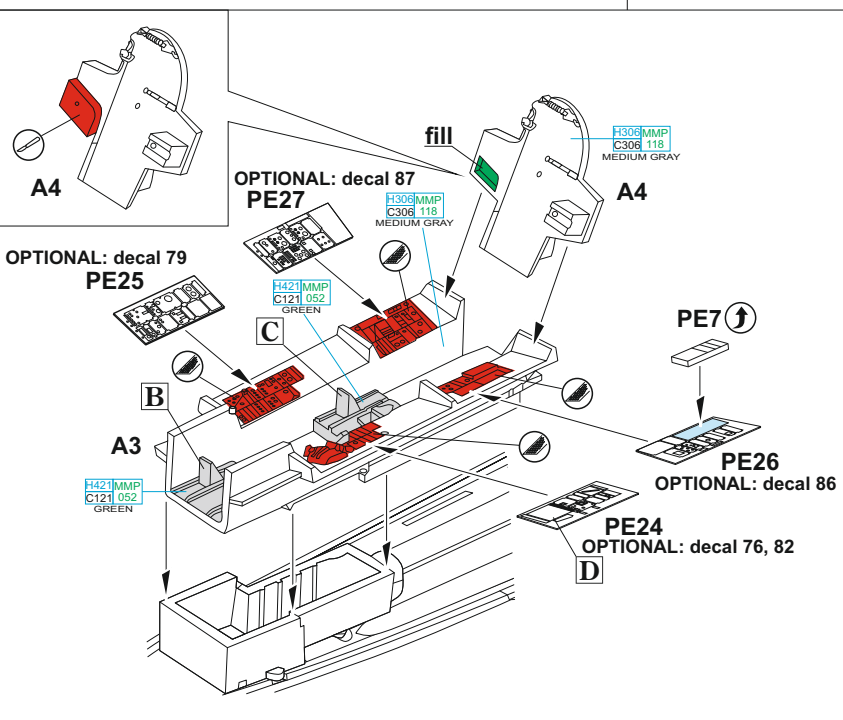
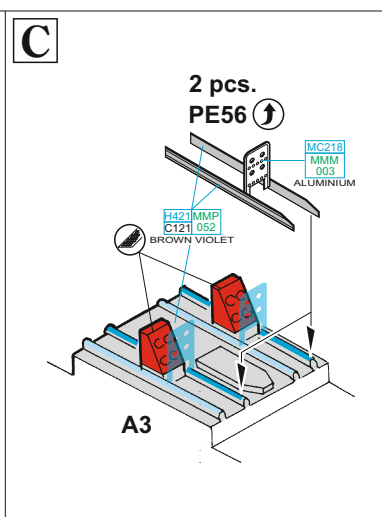
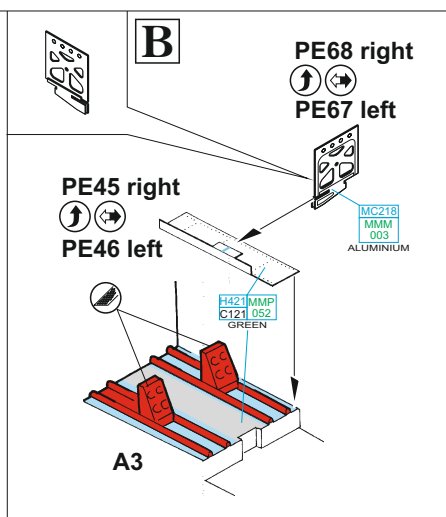
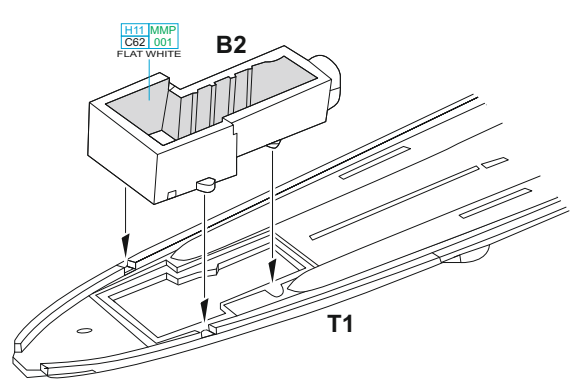
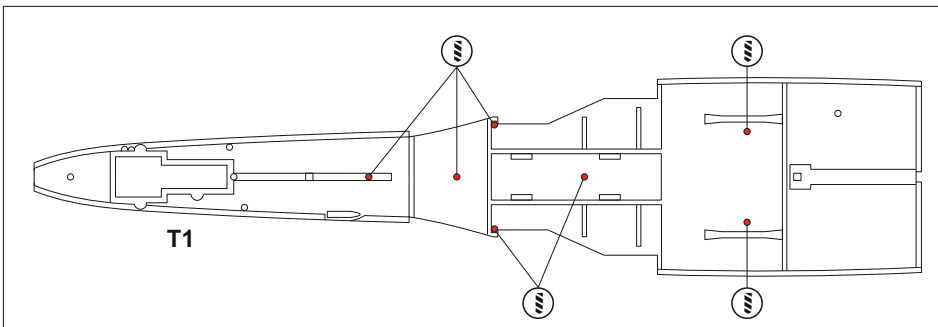
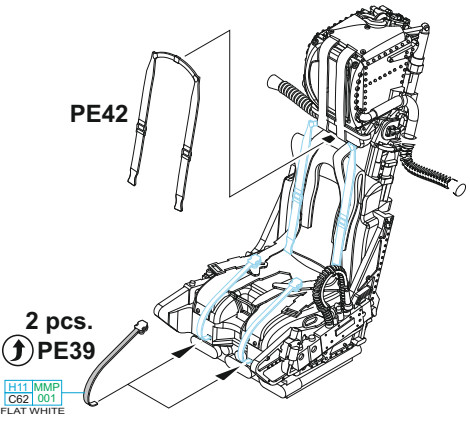
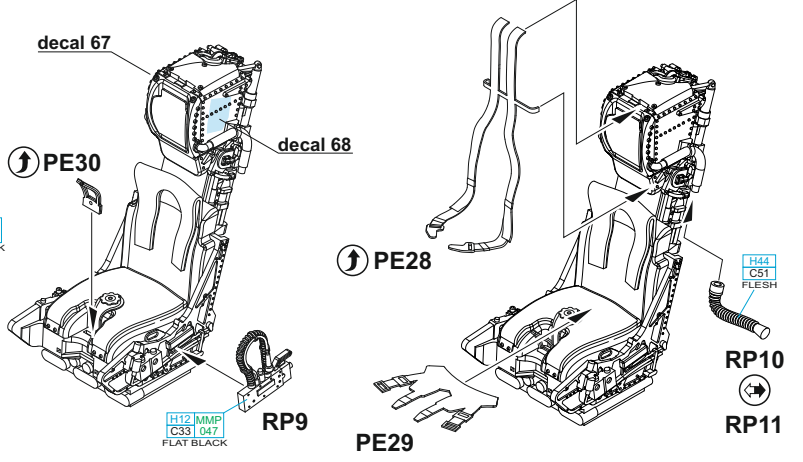
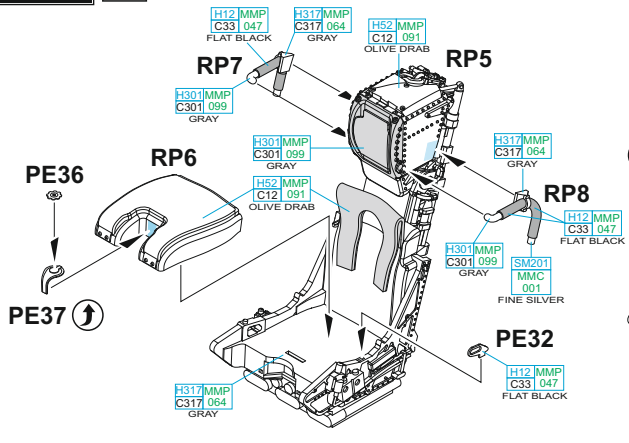
PEINTURE

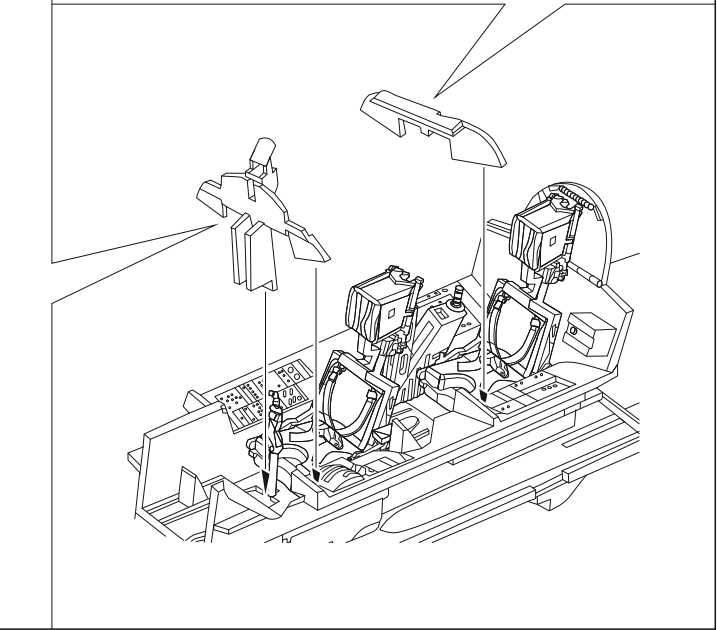
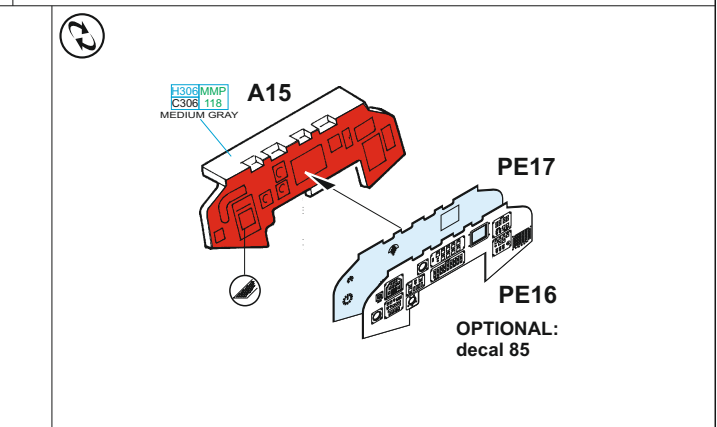
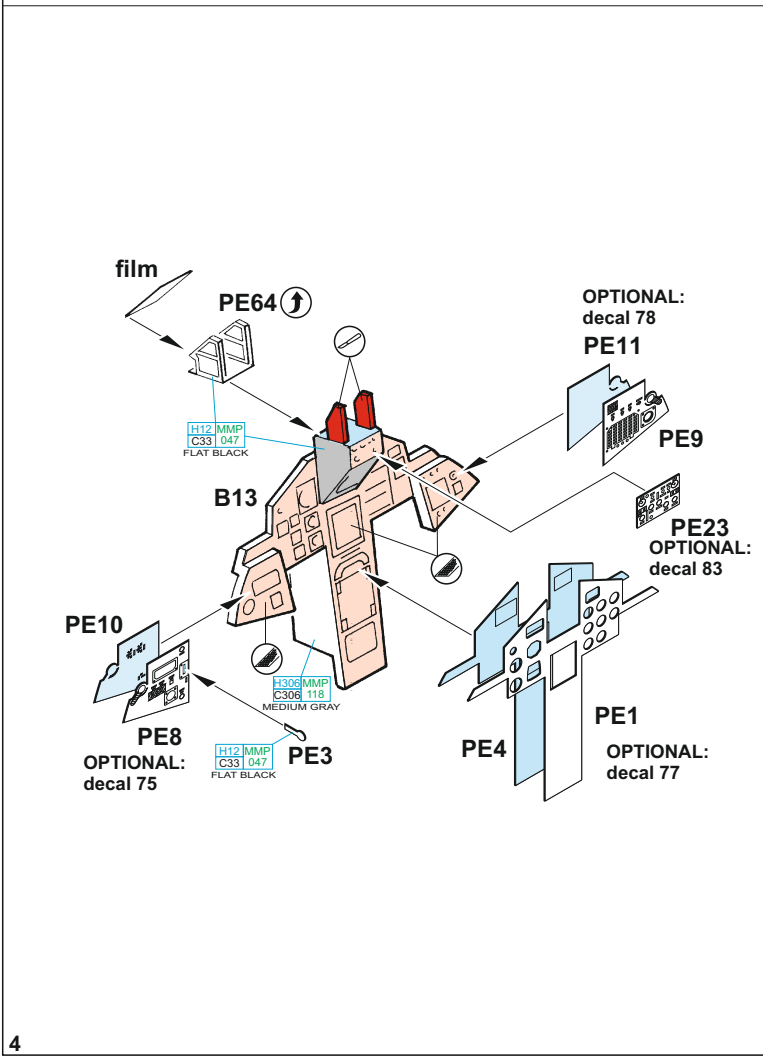
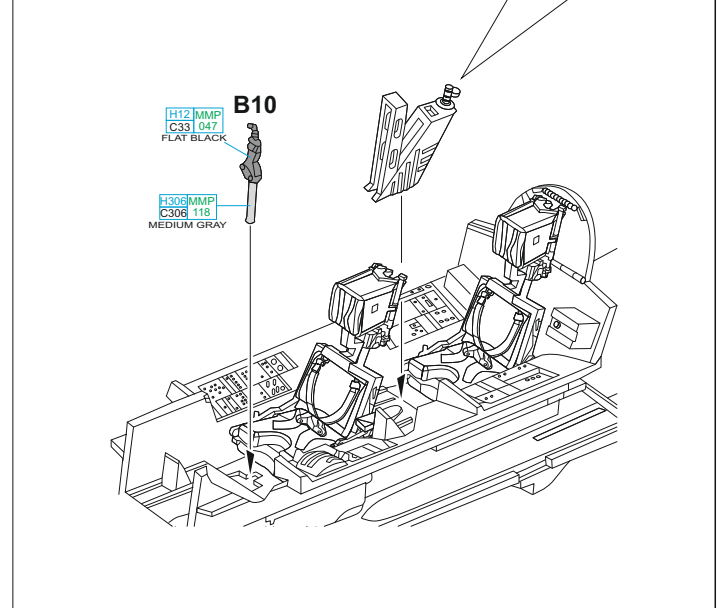
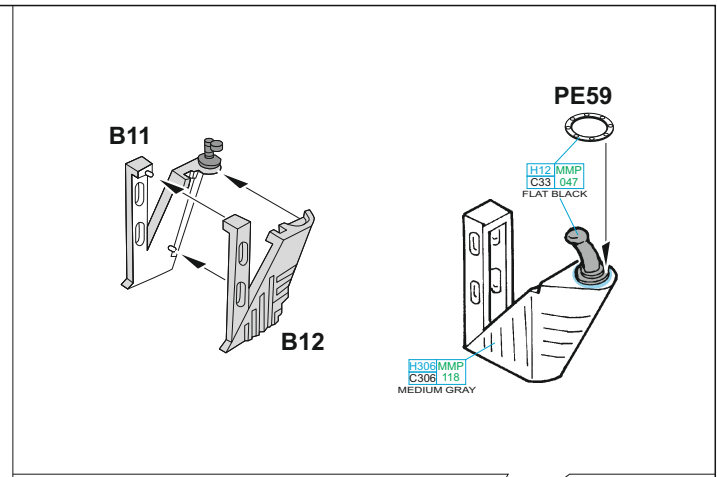
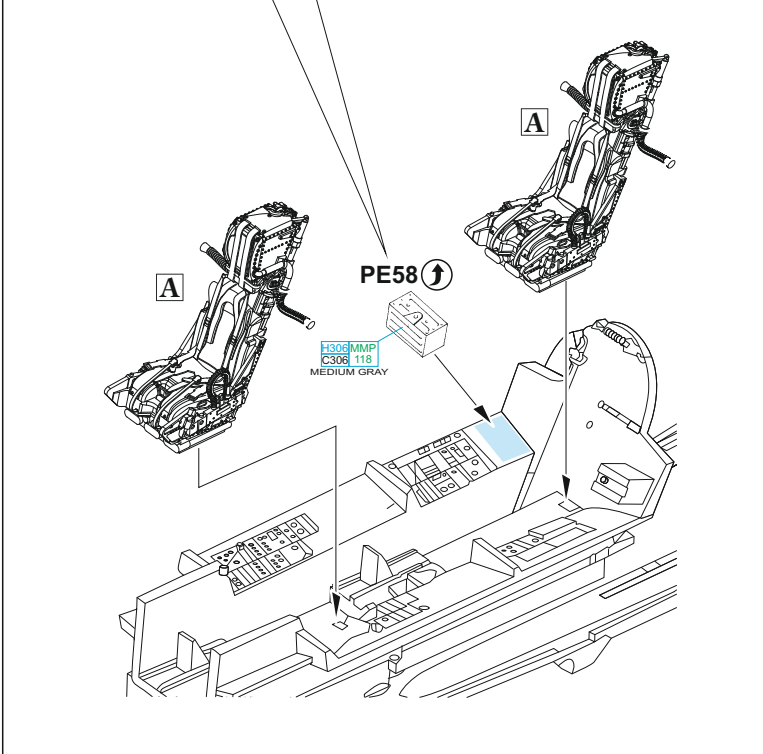
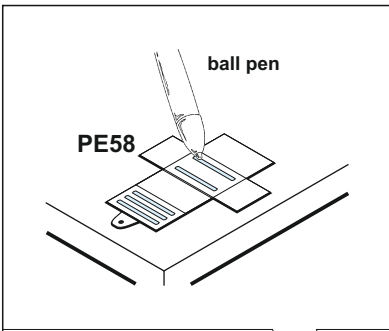


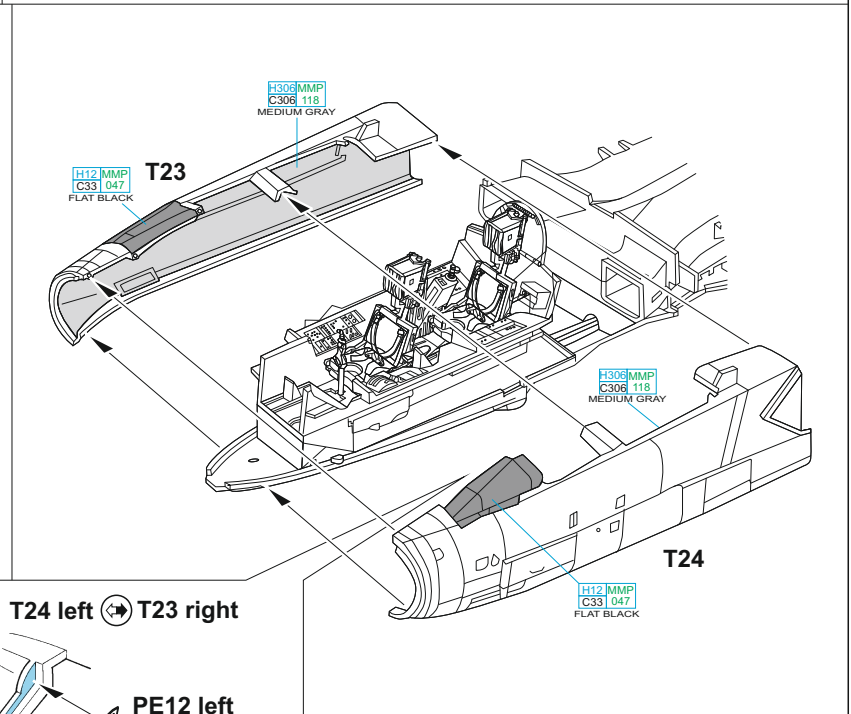
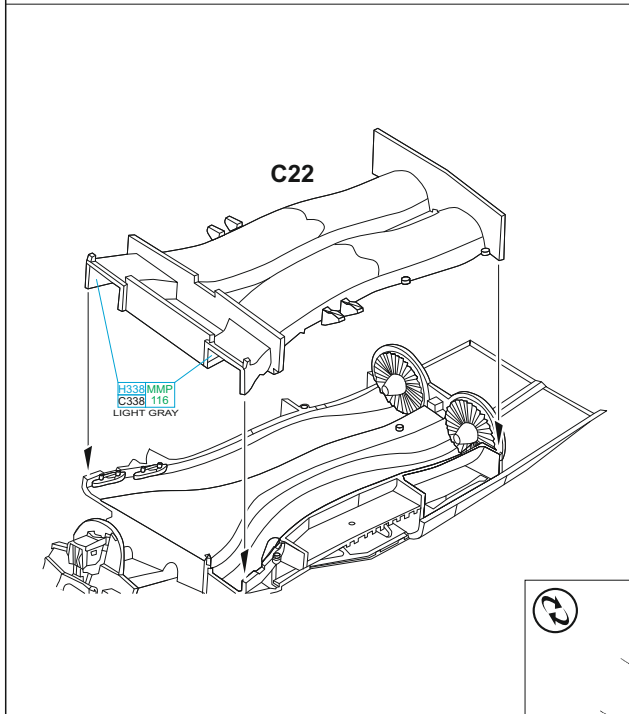
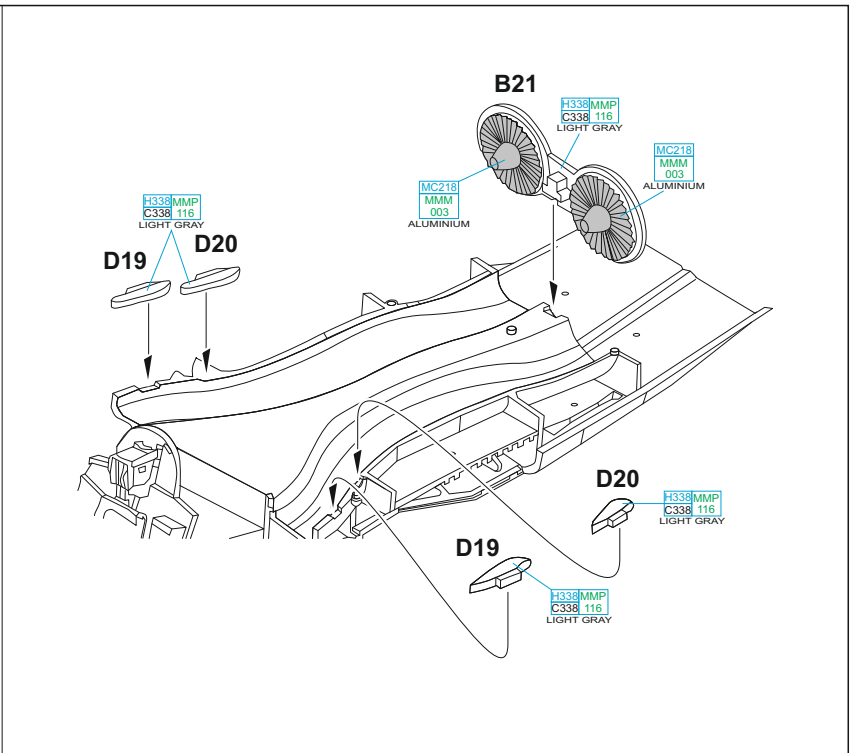
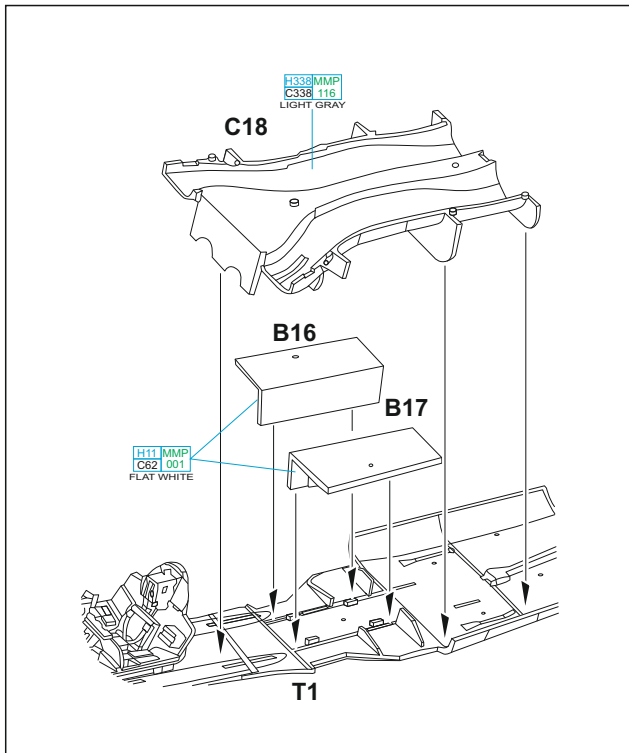
色


GSI Creos (GUNZE)		MISSION MODELS	
AQUEOUS	Mr.COLOR	PAINTS	
H11	C62	MMP-001	FLAT WHITE
H12	C33	MMP-047	FLAT BLACK
H44	C51		FLESH
H52	C12	MMP-091	OLIVE DRAB
H77	C137	MMP-040	TIRE BLACK
H90	C47		CLEAR RED
H94	C138		CLEAR GREEN
H301	C301	MMP-099	GRAY
H306	C306	MMP-118	MEDIUM GRAY
H310	C310		BROWN
H317	C317	MMP-064	GRAY

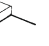
GSI Creos (GUNZE)			MISSION MODELS
AQUEOUS	Mr.COLOR	PAINTS	
H331	C331		DARK SEAGRAY
H338	C338	MMP-116	LIGHT GRAY
H421	C121	MMP-052	GREEN
	C124		DARK GREEN
Mr.METAL COLOR			METALLICS
MC213		MMM-006	STAINLESS
MC214		MMM-001	DARK IRON
MC218		MMM-001	ALUMINIUM
Mr.COLOR SUPER METALLIC			METALLICS
SM201		MMC-001	SUPER FINE SILVER









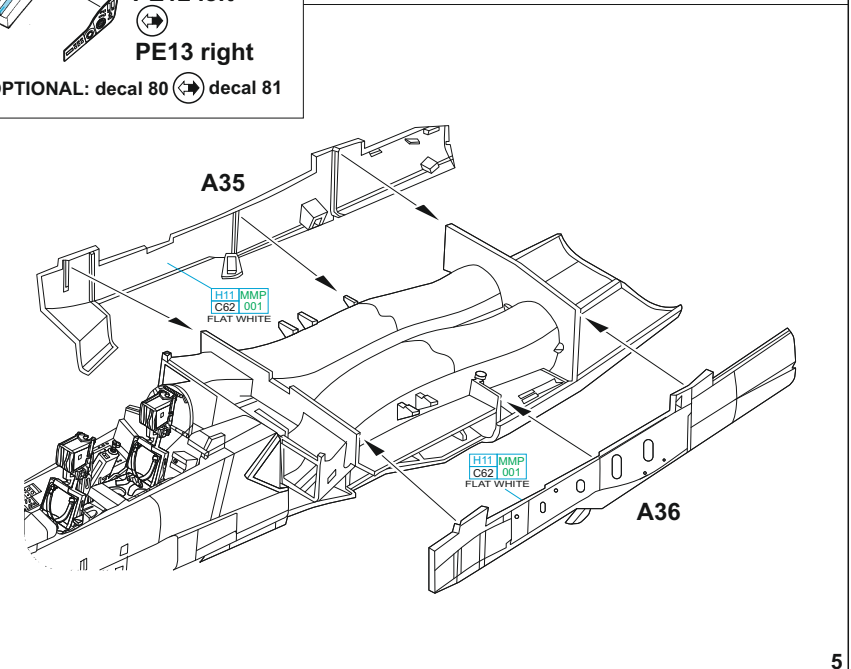
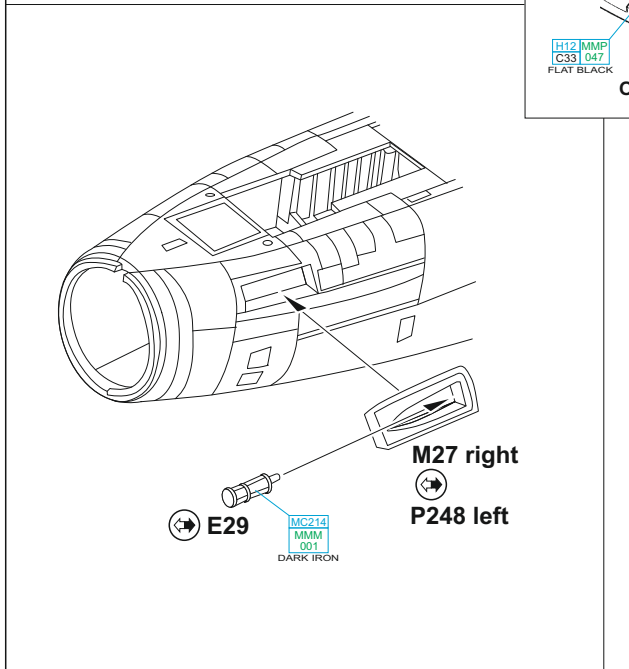

T24 left ↔ **T23 right**

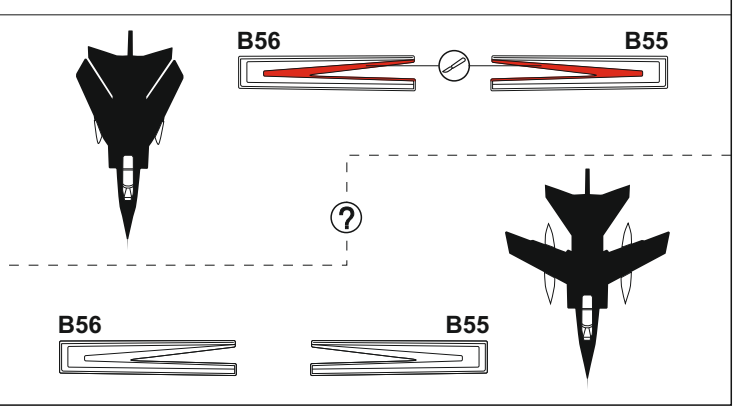
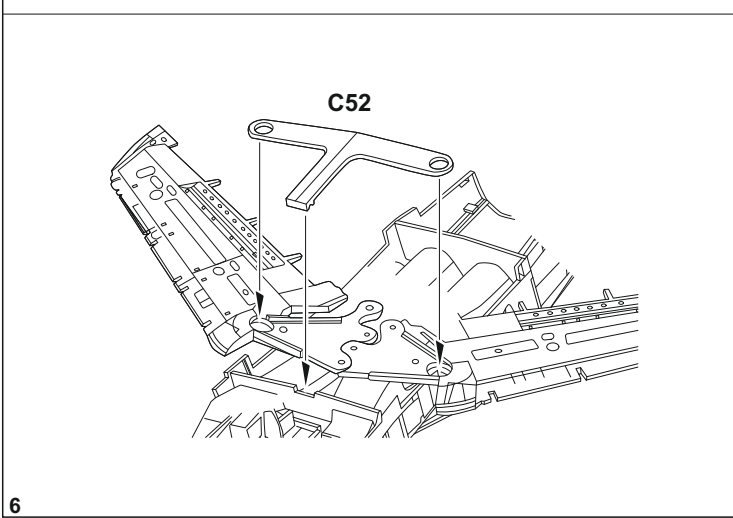
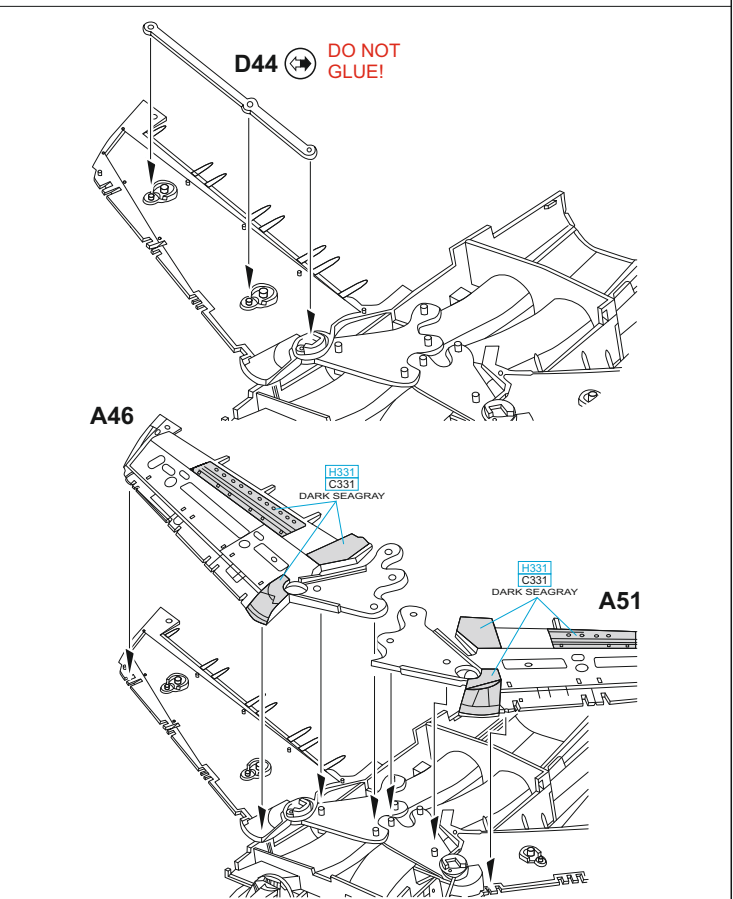
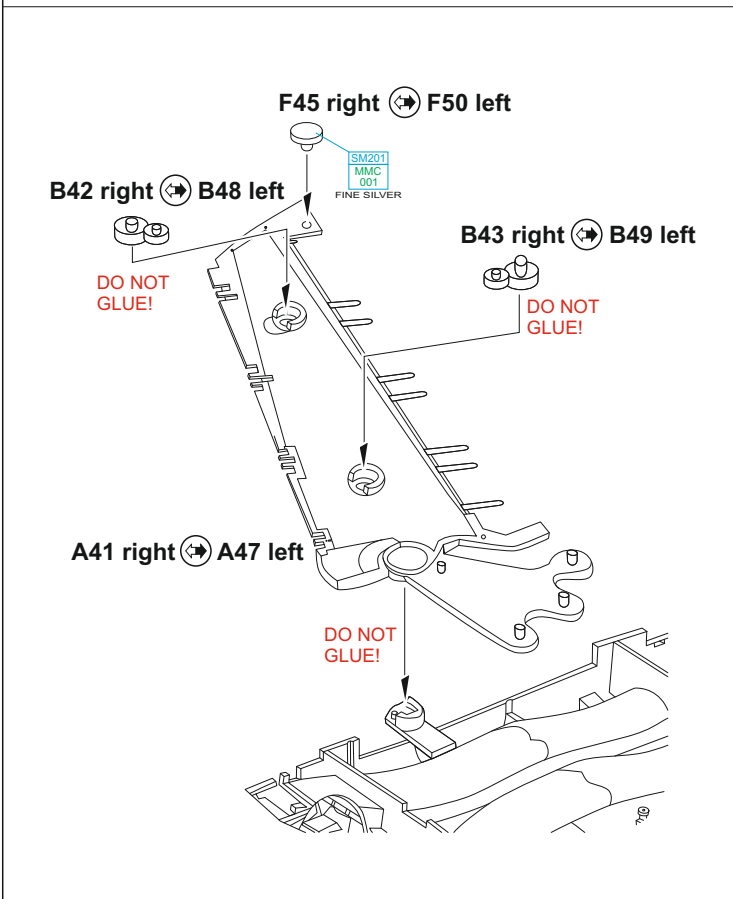
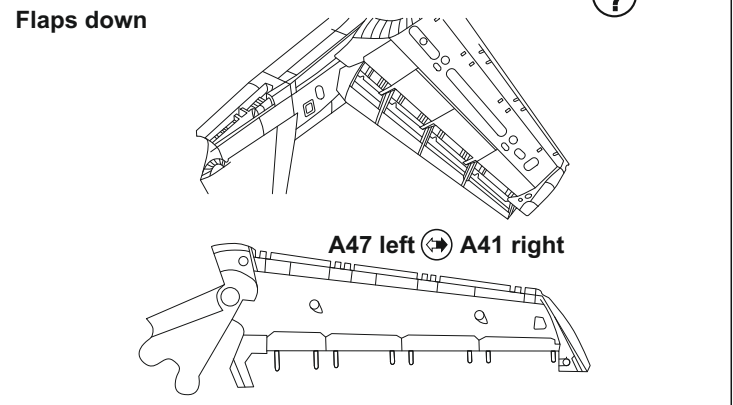
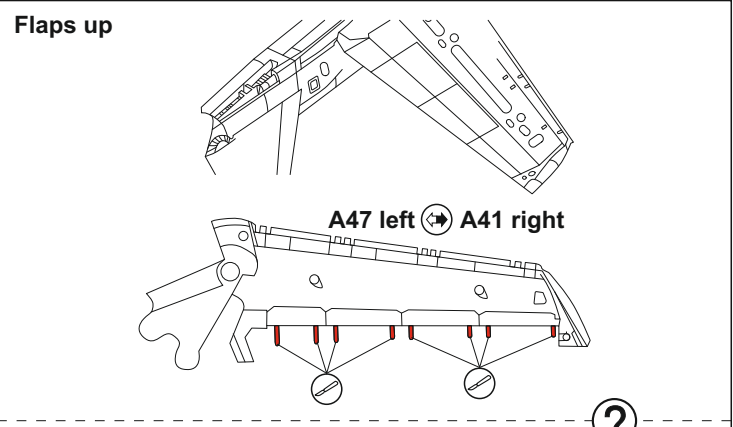
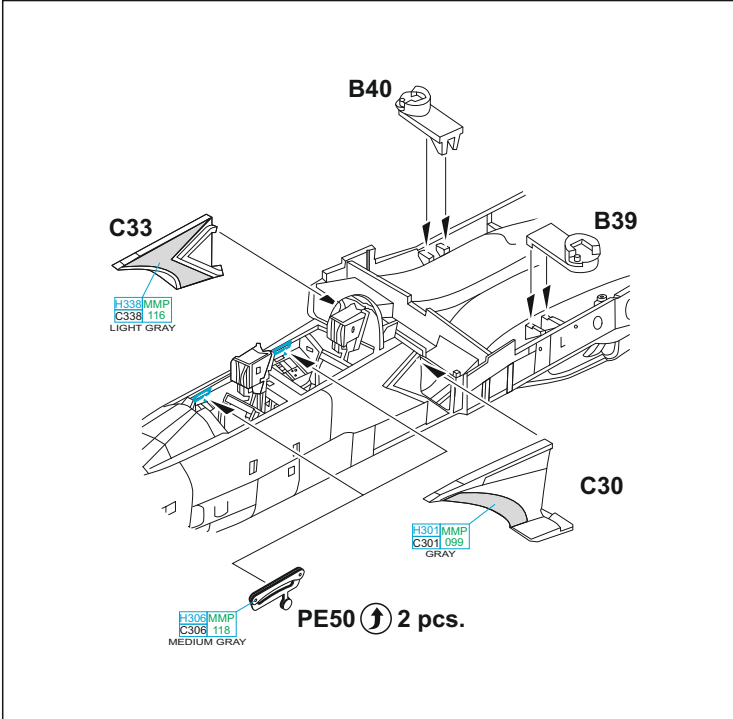

PE12 left

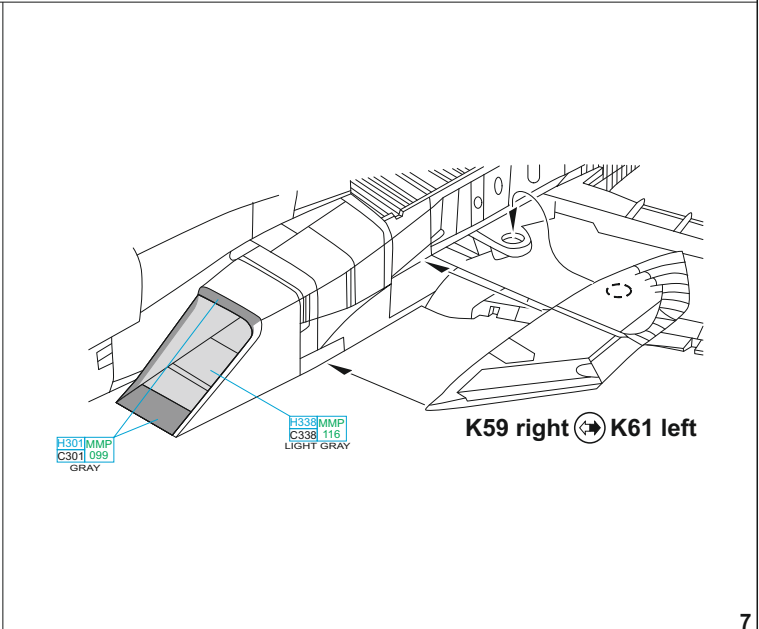
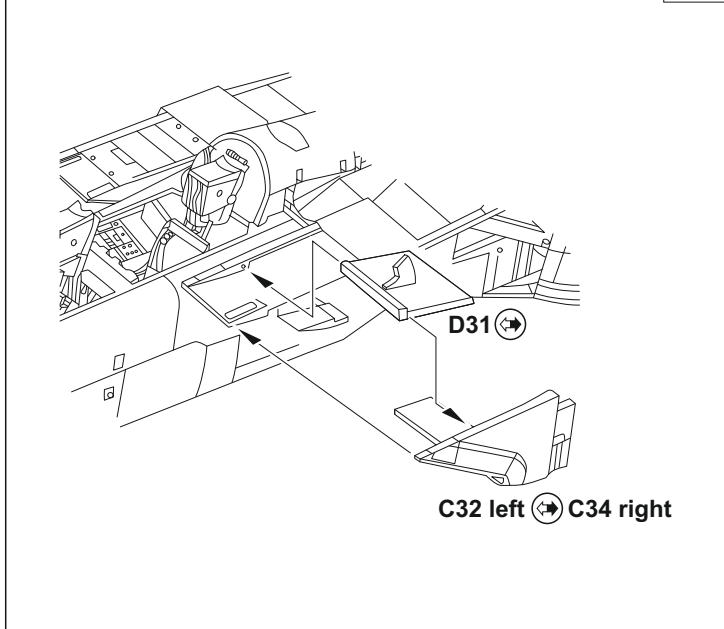
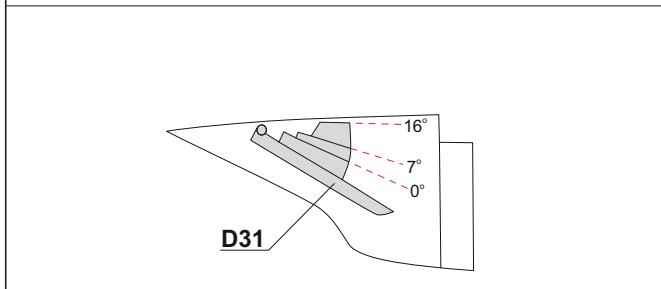
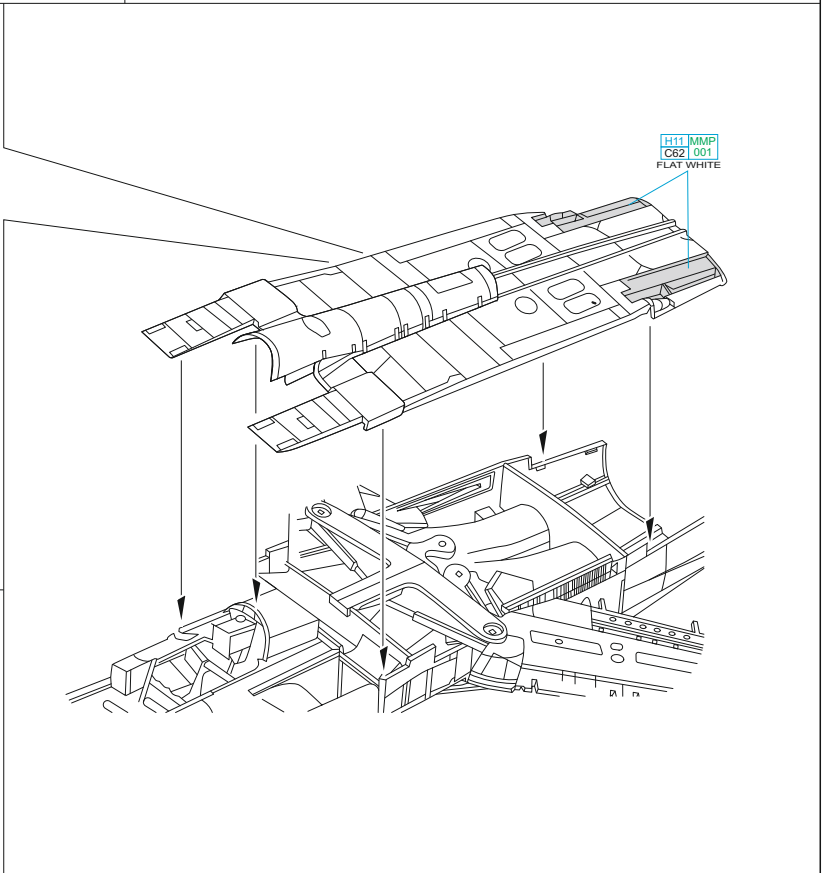
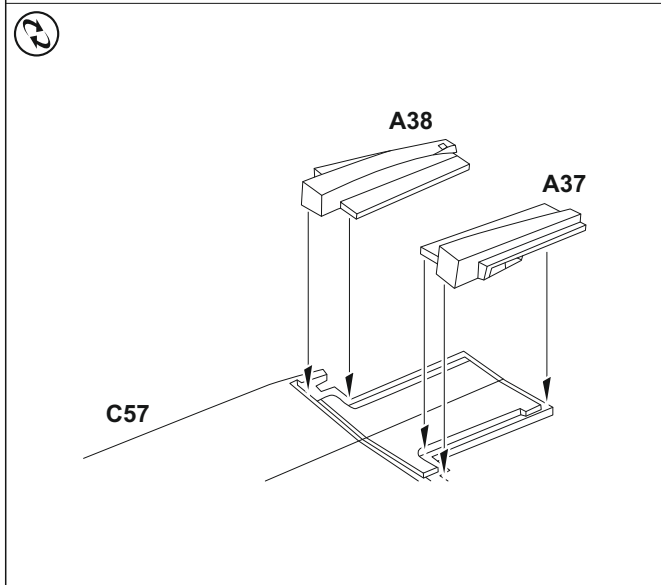
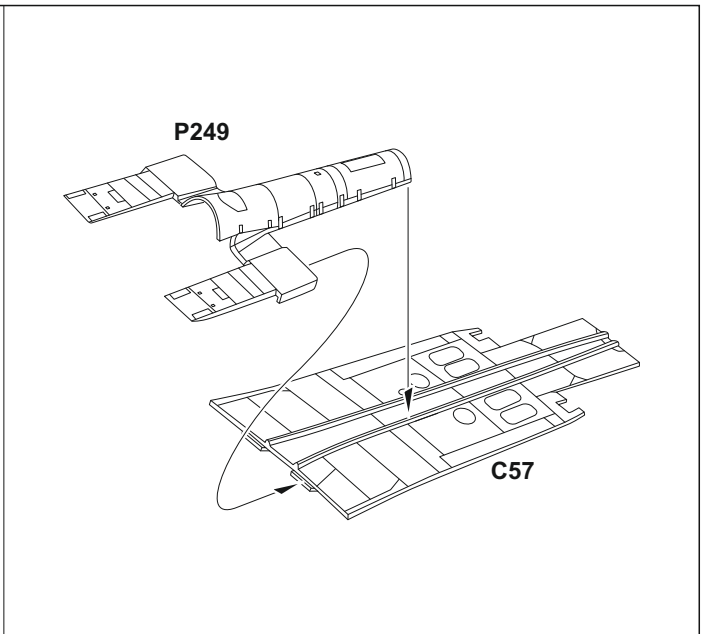
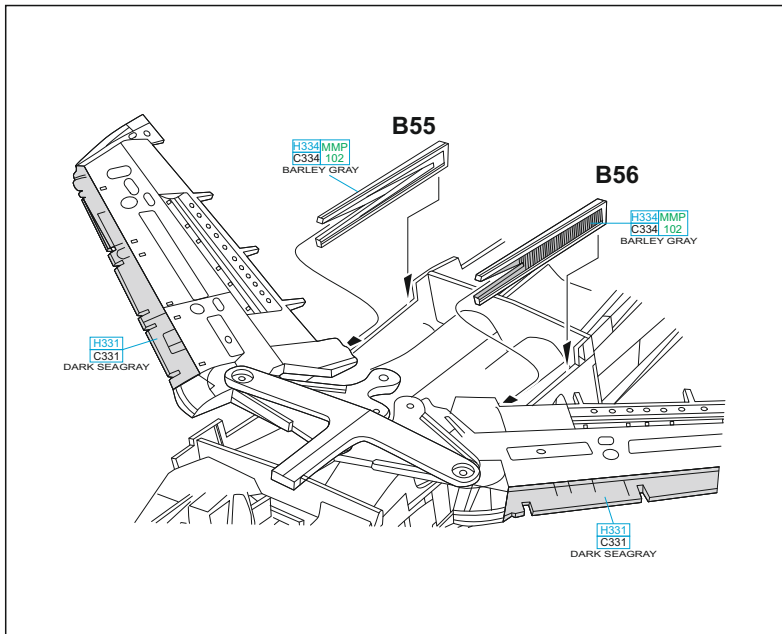

PE13 right

OPTIONAL: decal 80 ↔ **decal 81**


H12 MMP C33 047 FLAT BLACK

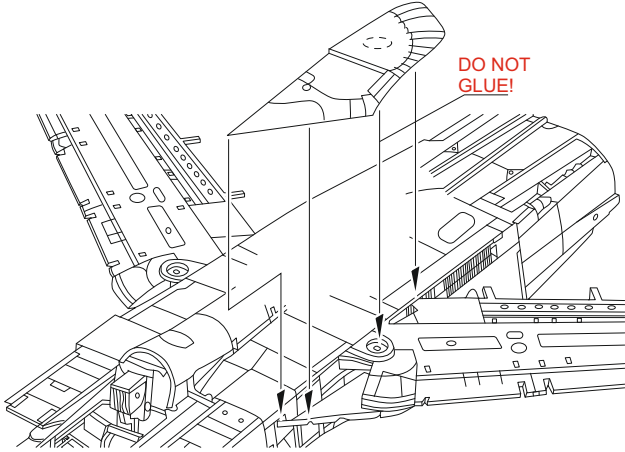




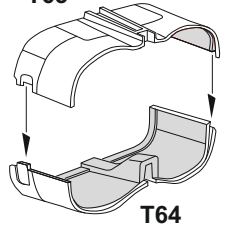


K62 left ↔ K60 right

DO NOT
GLUE!



T65



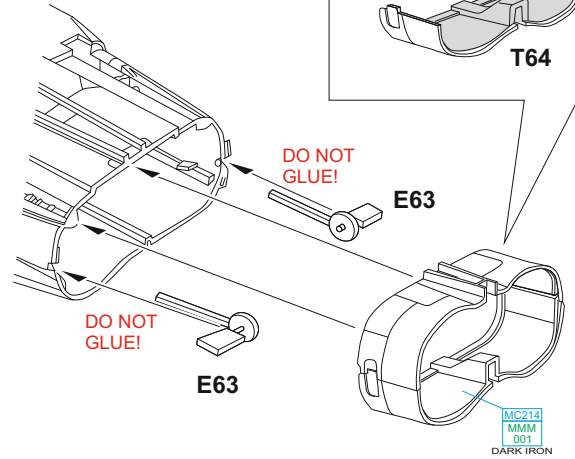
T64

DO NOT
GLUE!

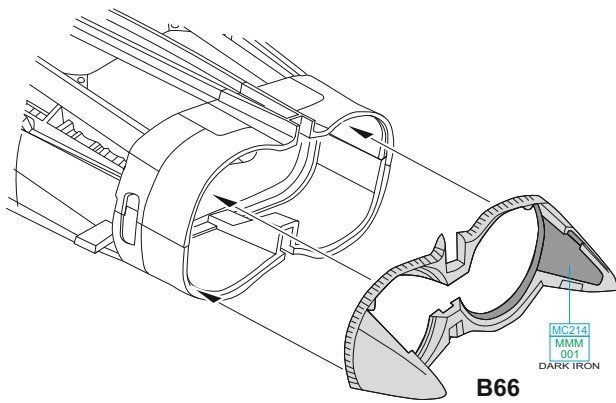
E63

DO NOT
GLUE!

E63



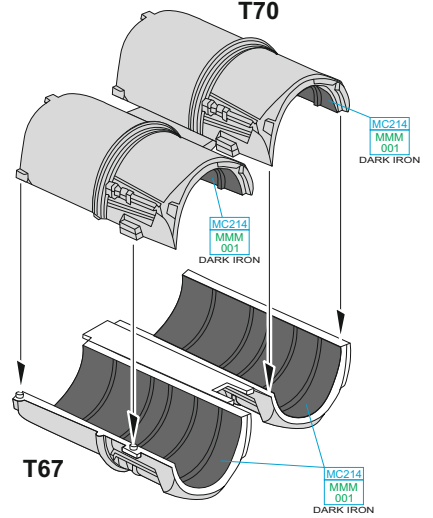
MC214
MMM
001
DARK IRON



B66

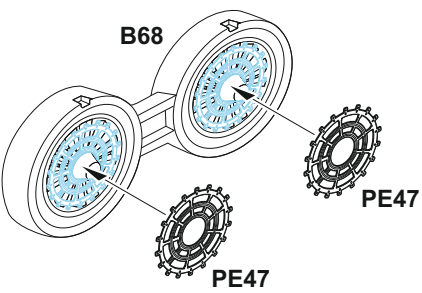
MC214
MMM
001
DARK IRON

T70



T67

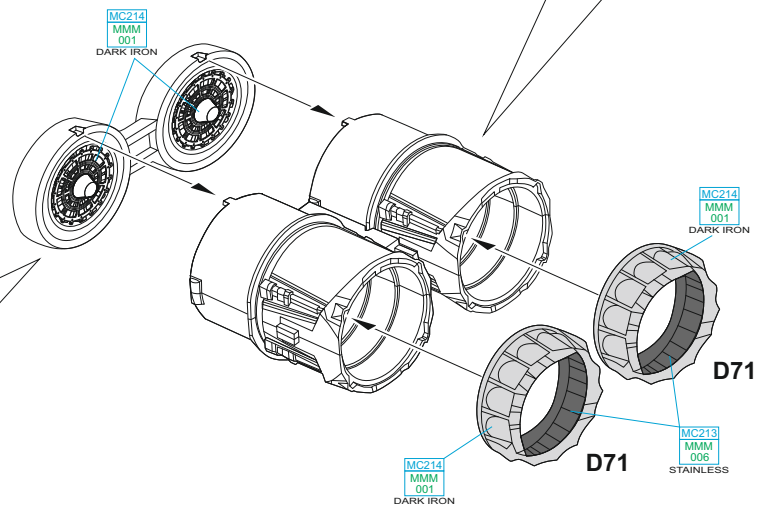
MC214
MMM
001
DARK IRON



B68

PE47

PE47



MC214
MMM
001
DARK IRON

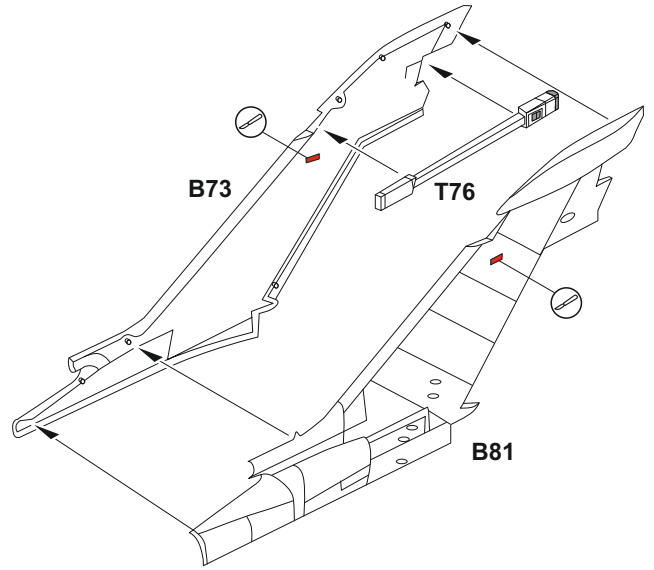
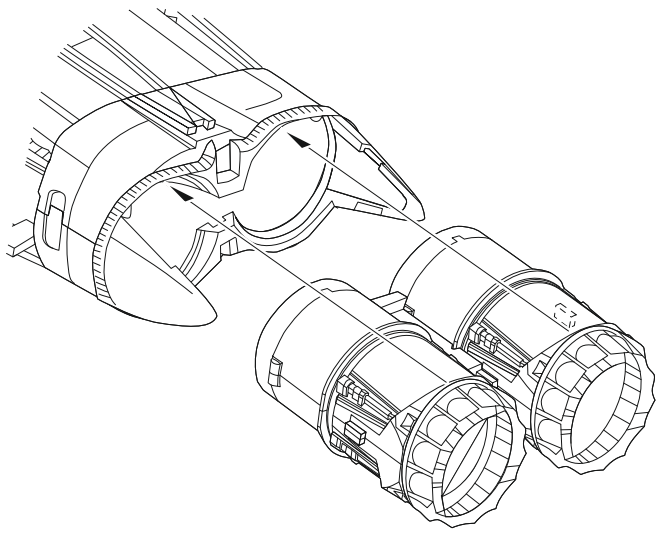
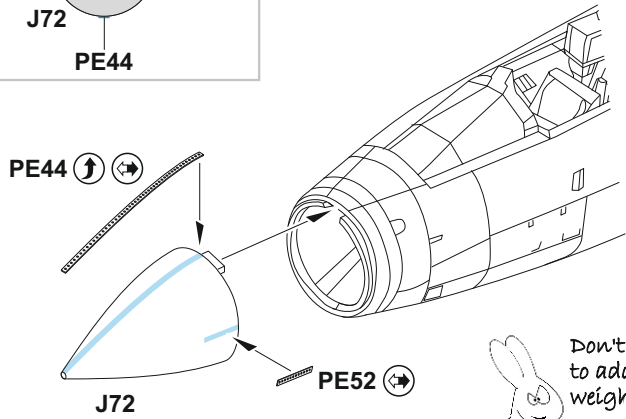
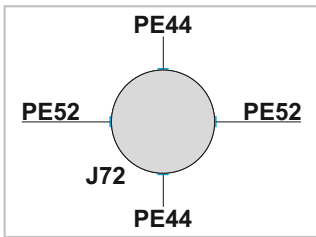
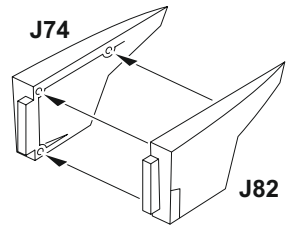
MC214
MMM
001
DARK IRON

D71

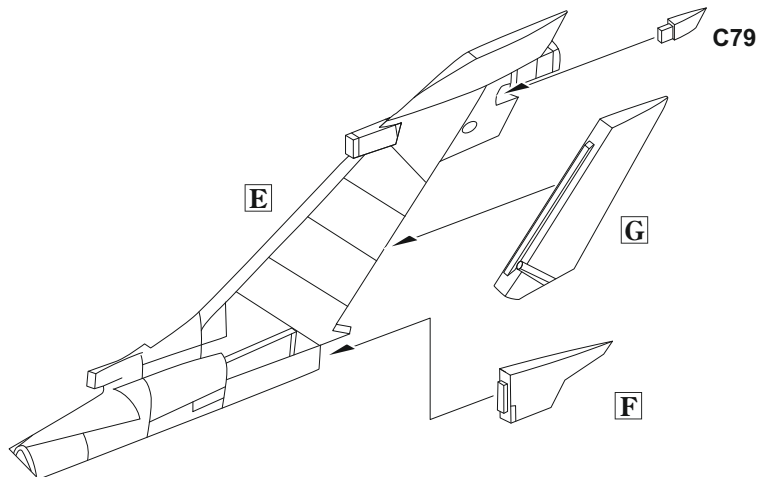
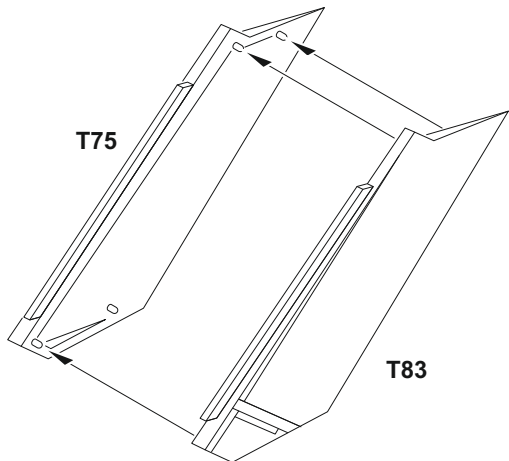
MC214
MMM
001
DARK IRON

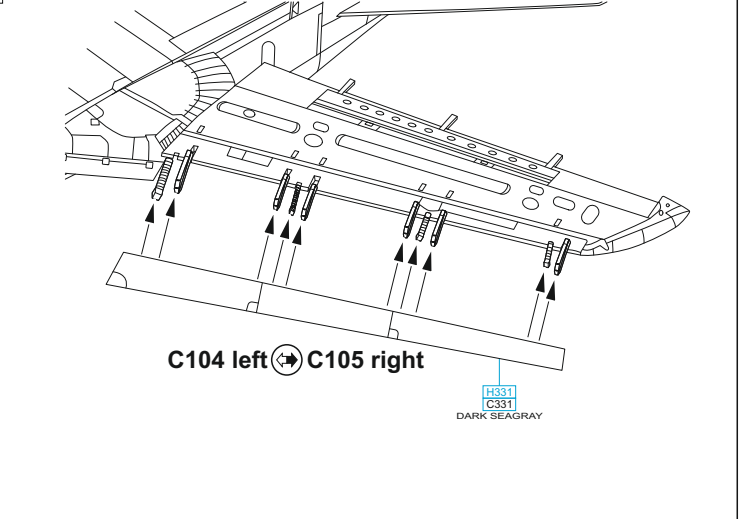
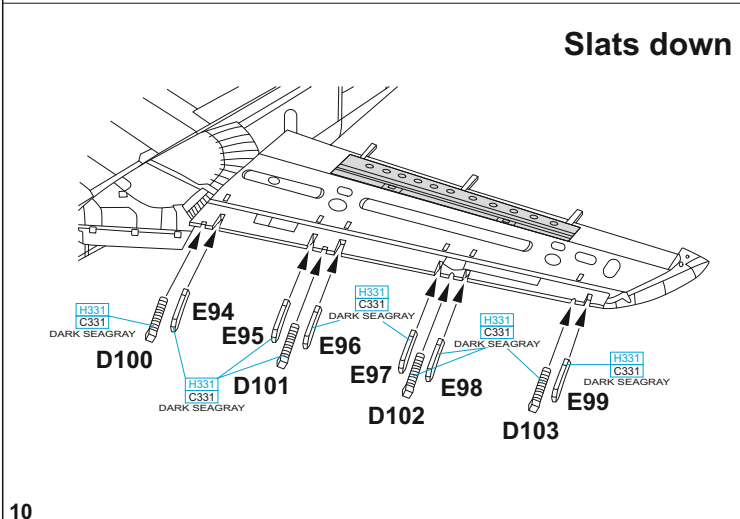
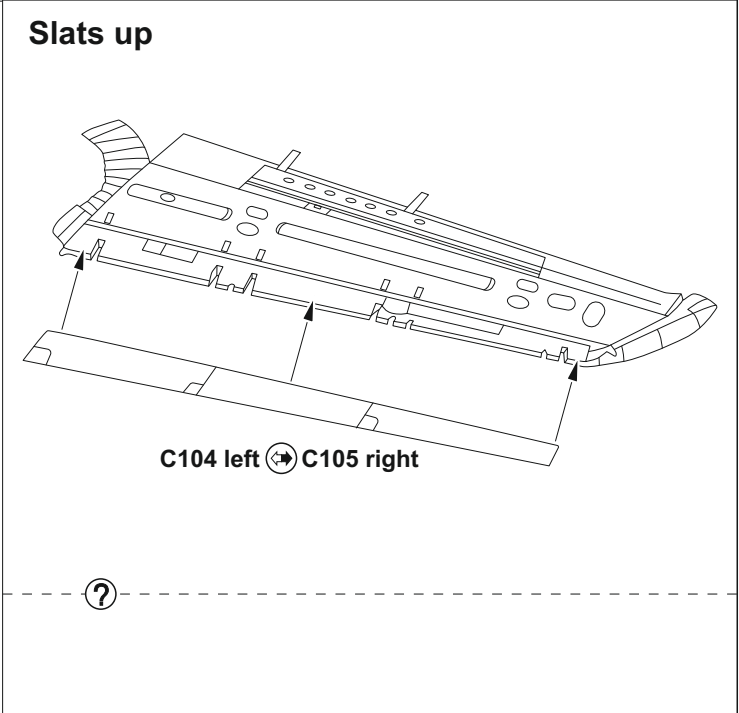
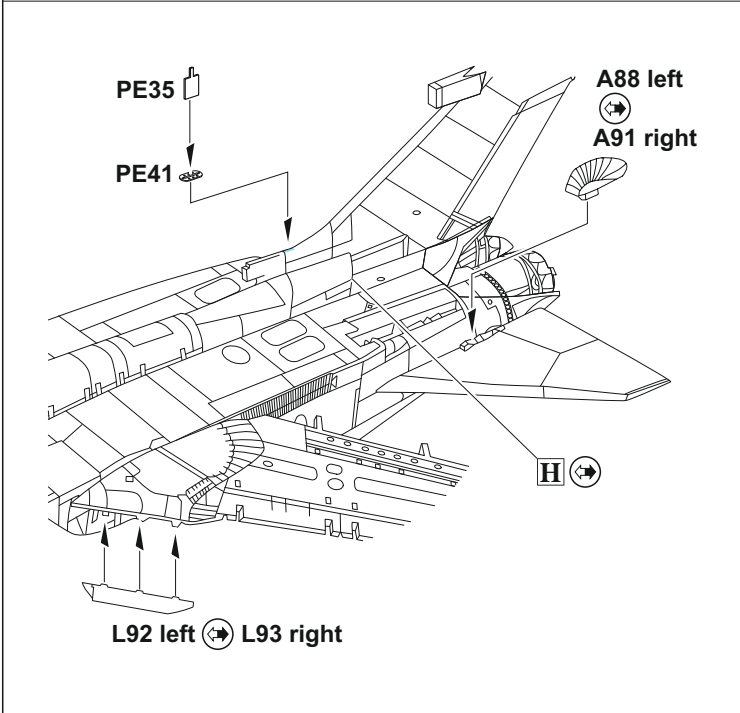
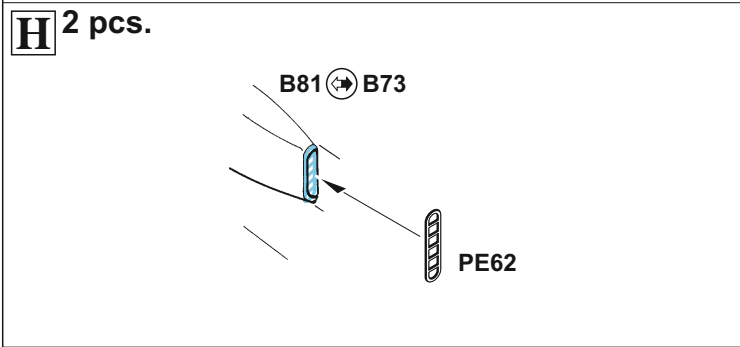
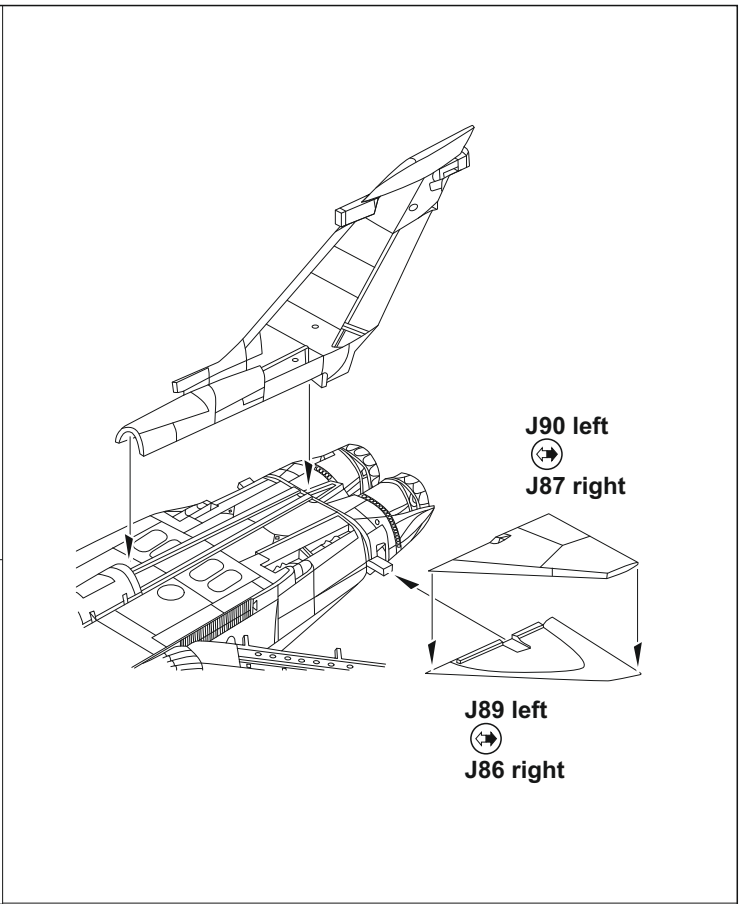
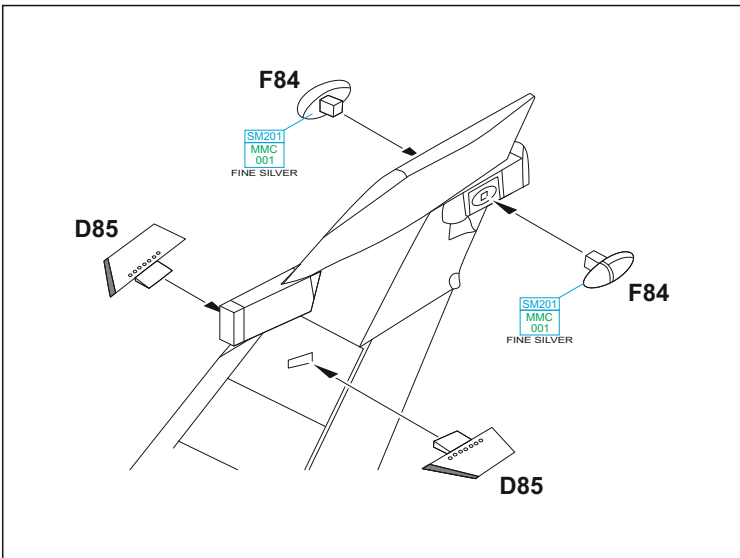
D71

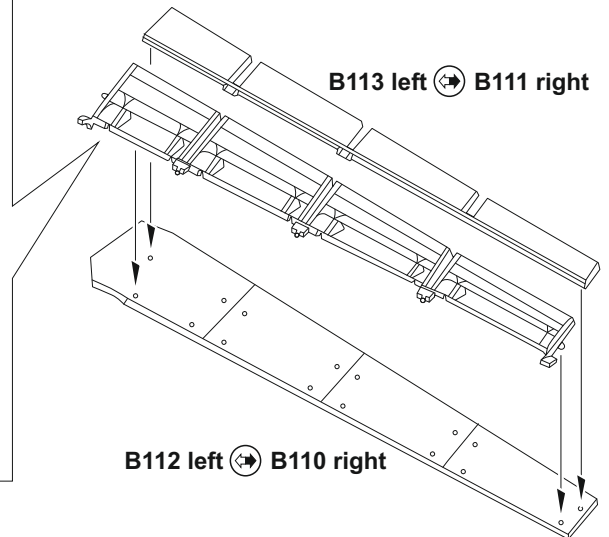
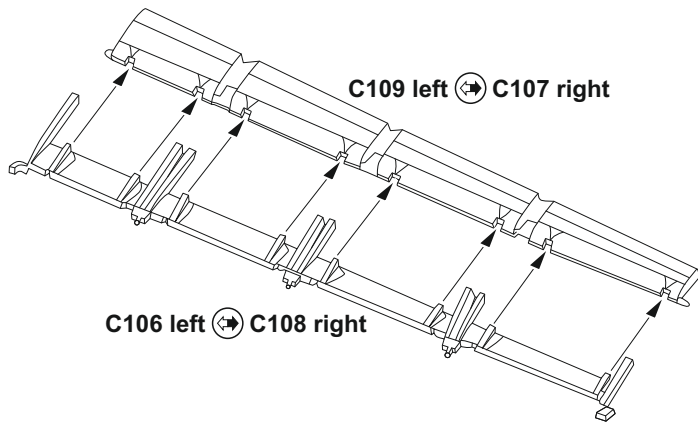
MC213
MMM
005
STAINLESS

E**F**

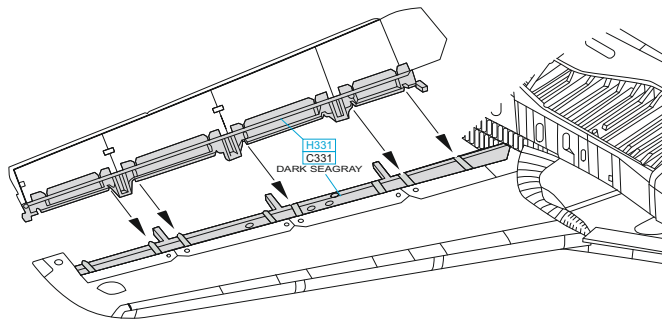
Don't forget
to add the nose
weight balance!

G



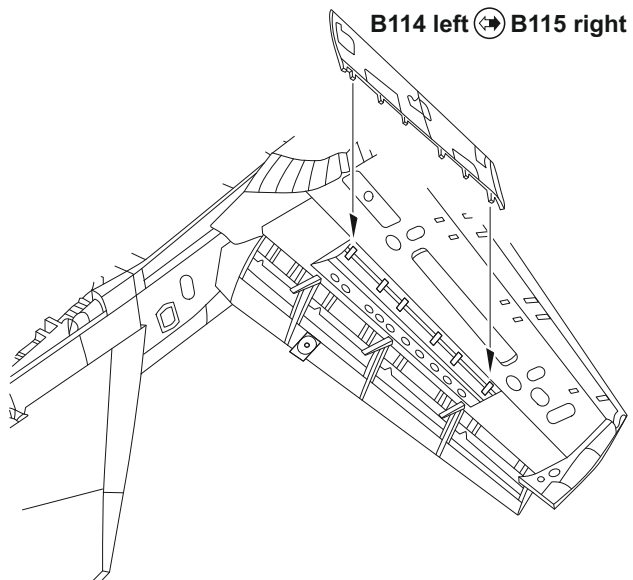
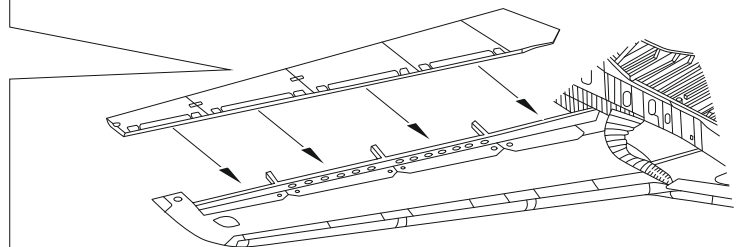
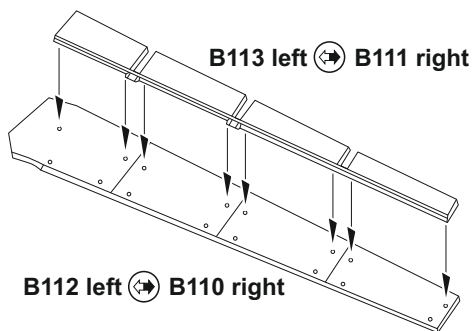


Flaps down

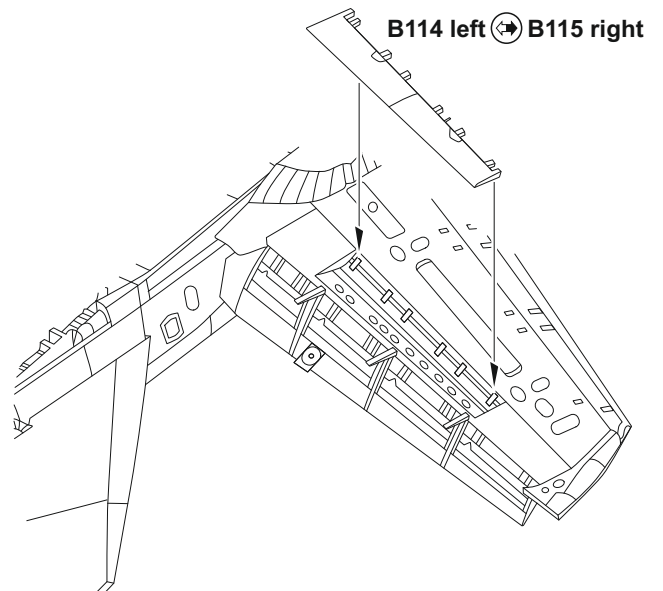


?

Flaps up



?

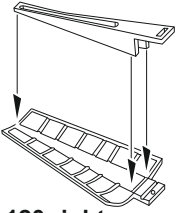


J

B119 right



B116 left



A120 right



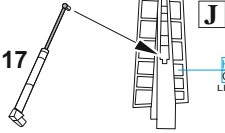
A118 left



D117

J

H338 MMP
C338 116
LIGHT GRAY

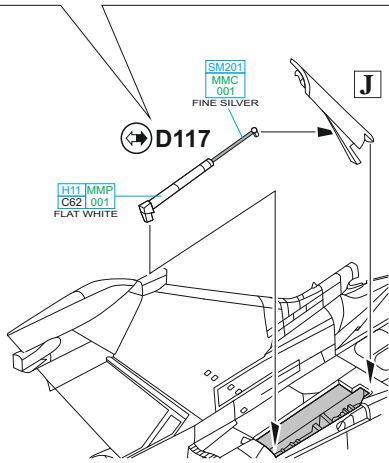


SM201
MMC
001
FINE SILVER

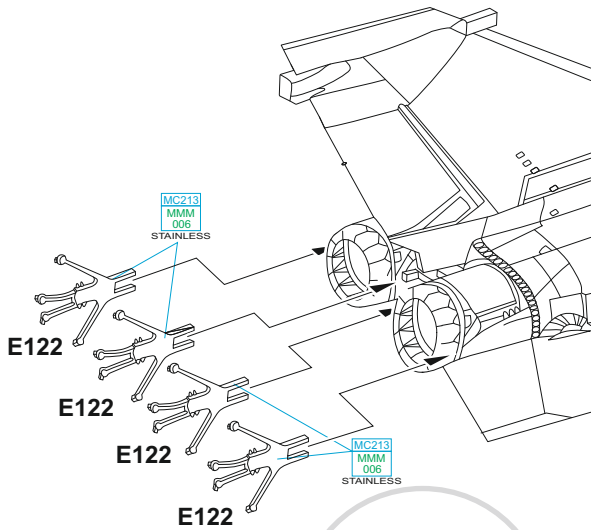
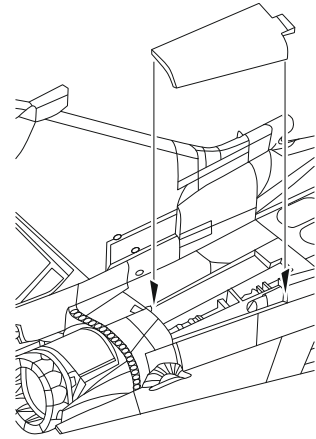
J

D117

H111 MMP
C621 001
FLAT WHITE



A120 right ↔ A118 left



MC213
MMM
006
STAINLESS

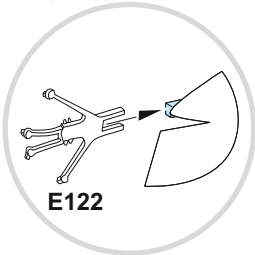
E122

E122

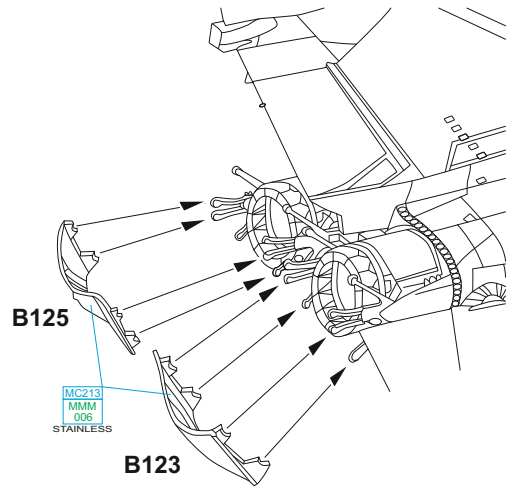
E122

E122

MC213
MMM
006
STAINLESS



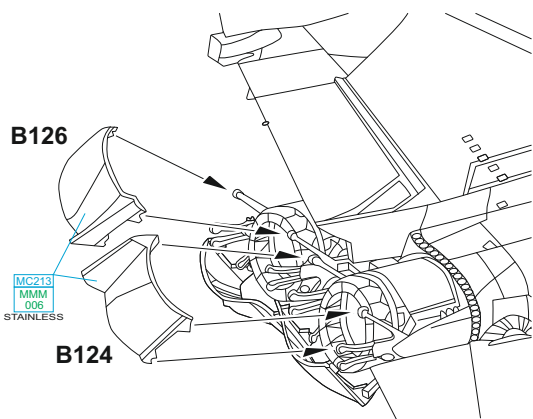
E122



B125

MC213
MMM
006
STAINLESS

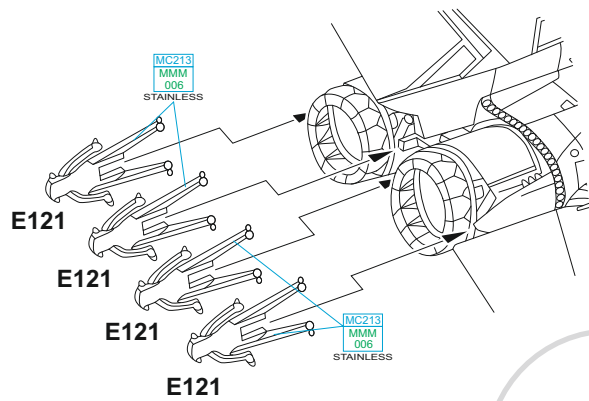
B123



B126

MC213
MMM
006
STAINLESS

B124



E121

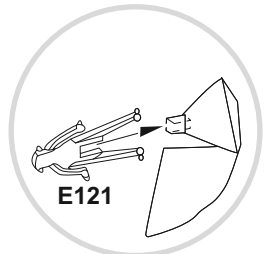
E121

E121

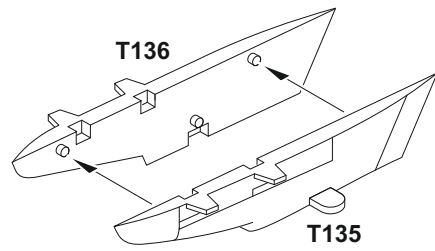
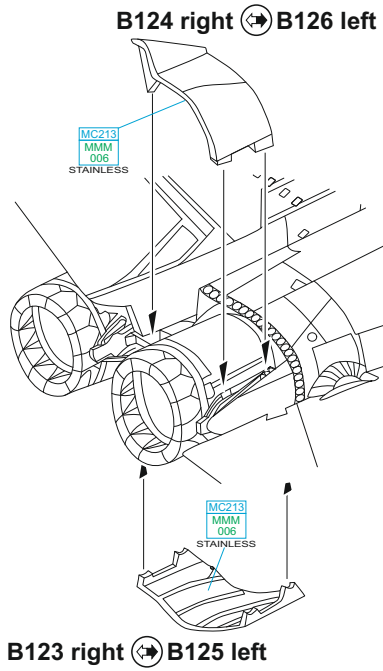
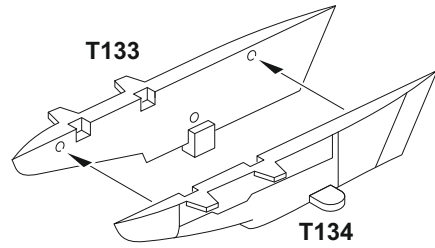
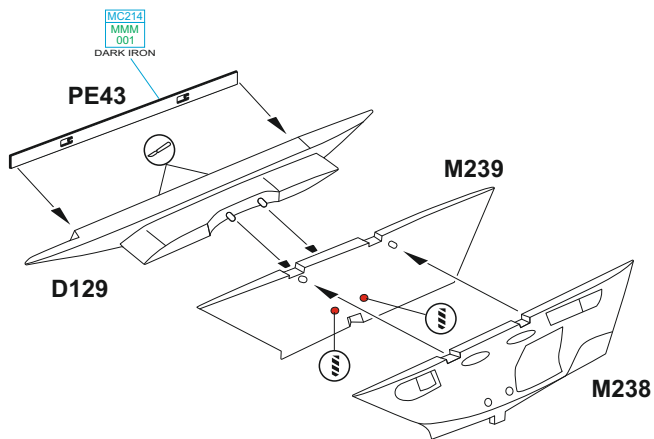
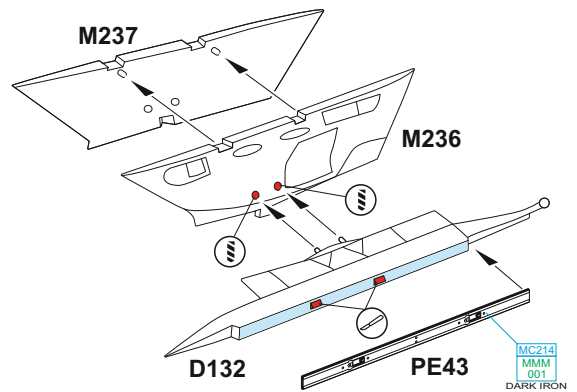
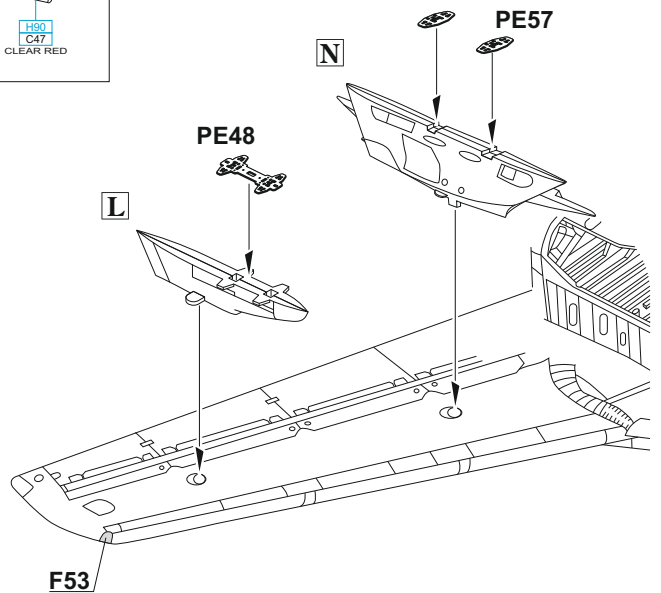
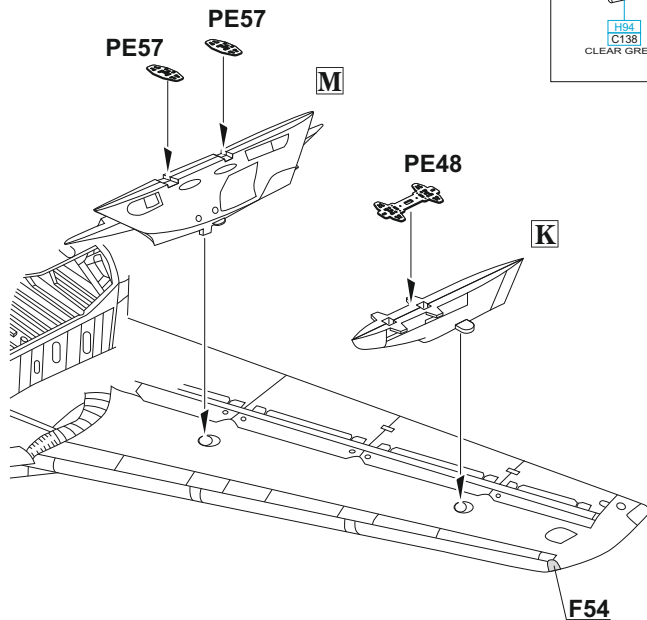
E121

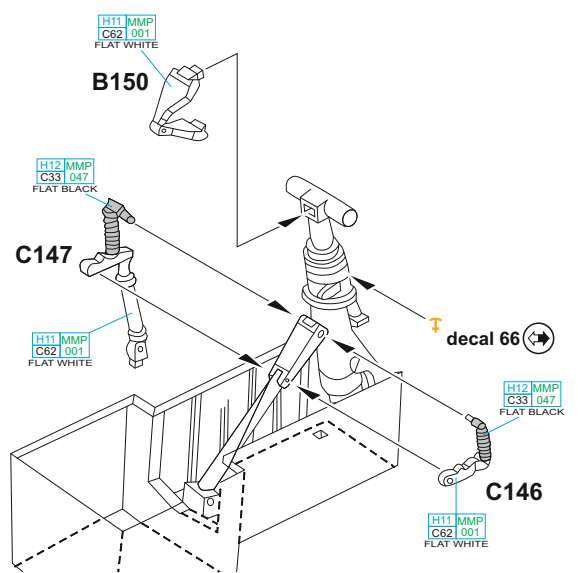
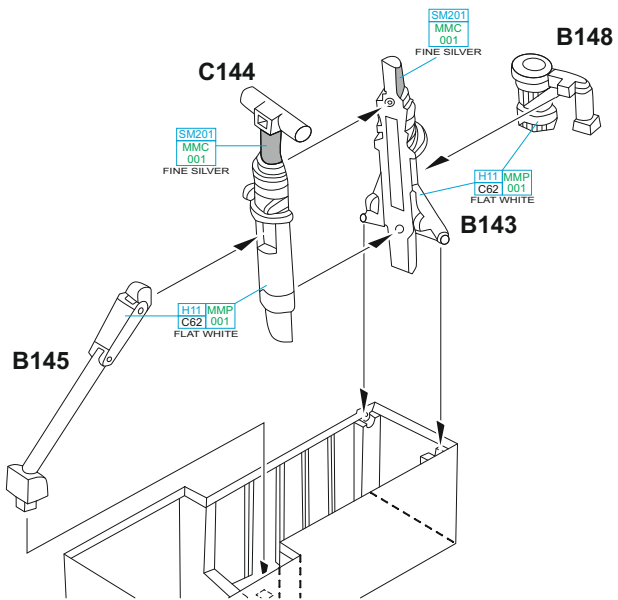
MC213
MMM
006
STAINLESS

MC213
MMM
006
STAINLESS

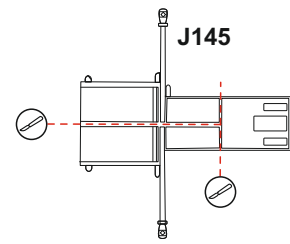
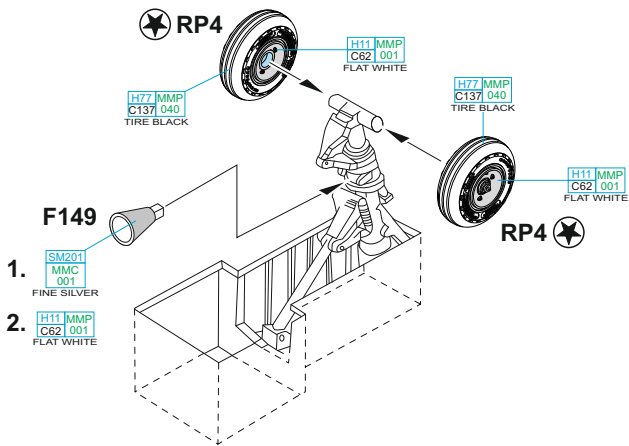


E121

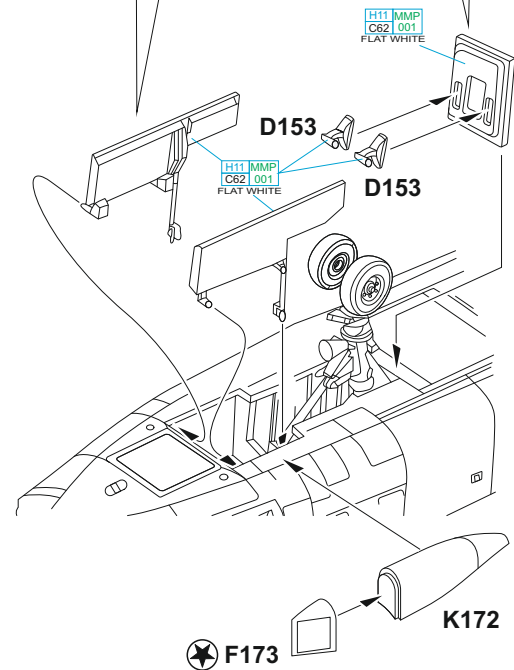
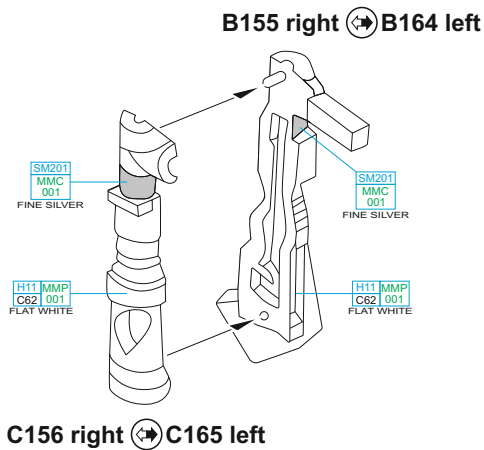
K**L****M****N****F54****F53**



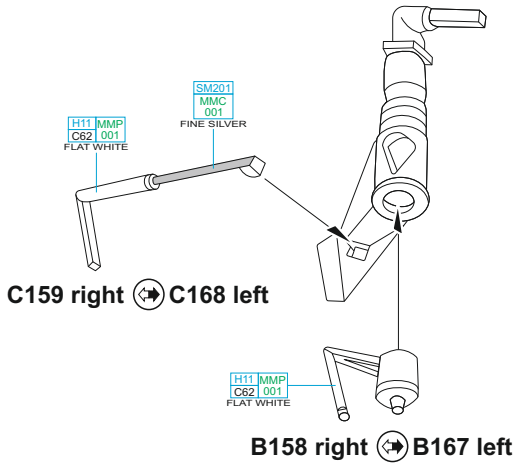
eduard
BRASSIN



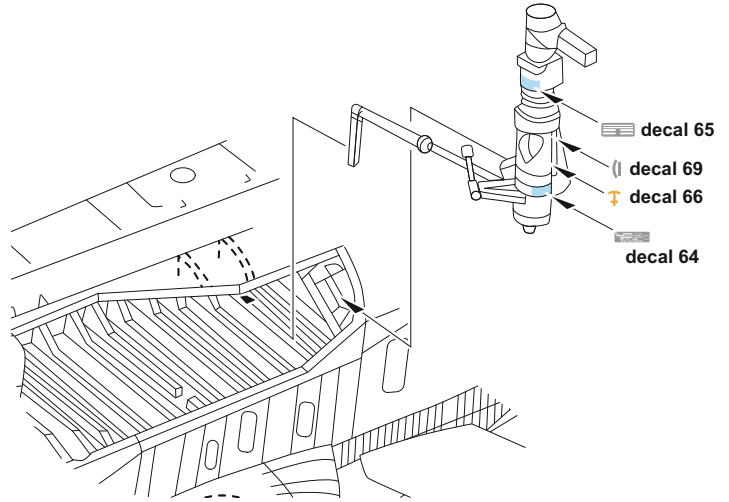
M **N**



M → N

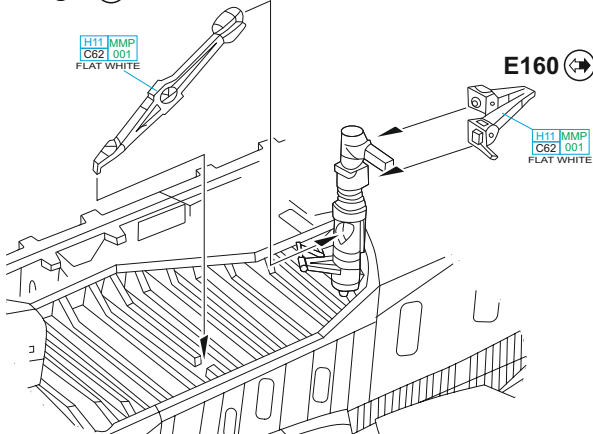


M → N



M → N

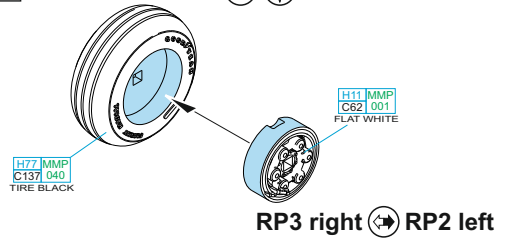
B157 right ↔ B166 left



M → N

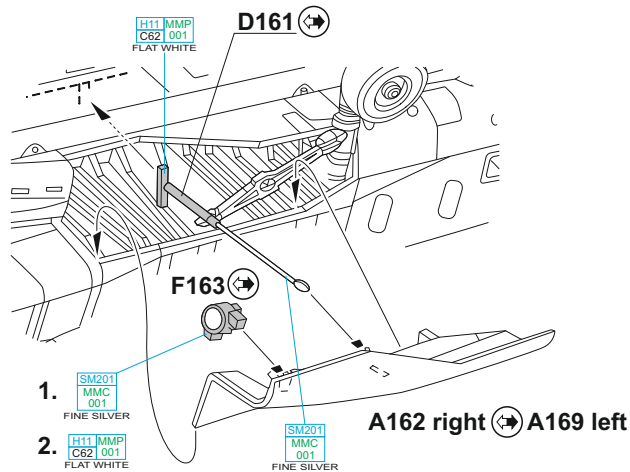
eduard BRASSIN

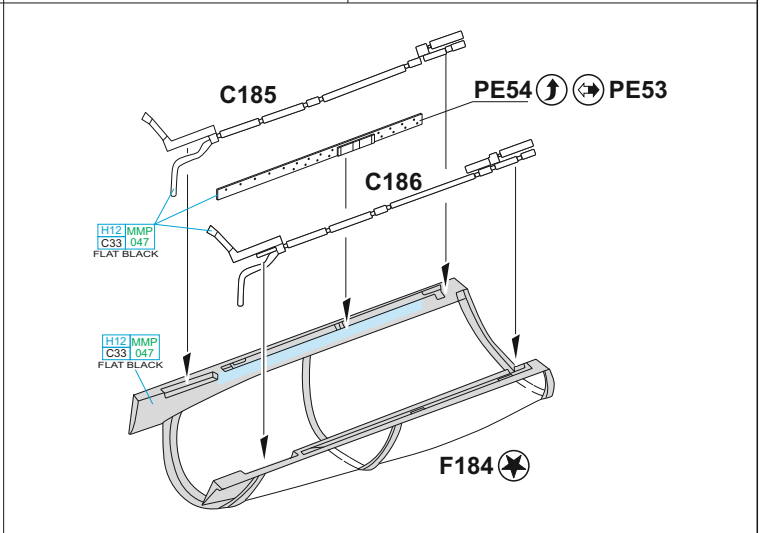
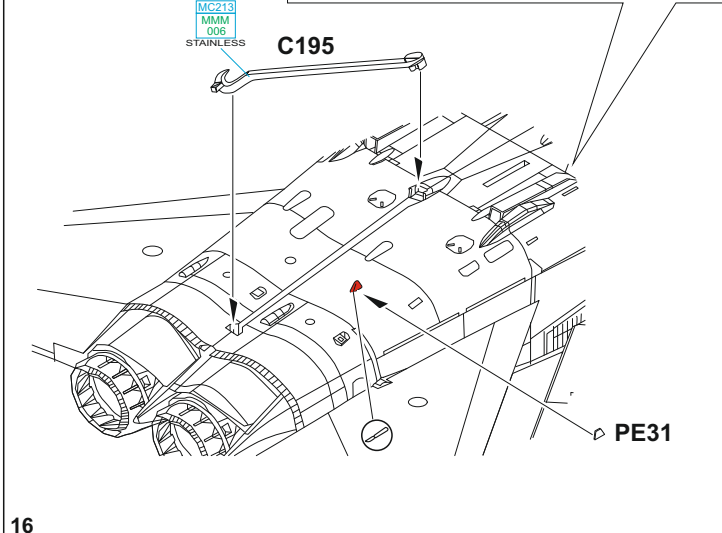
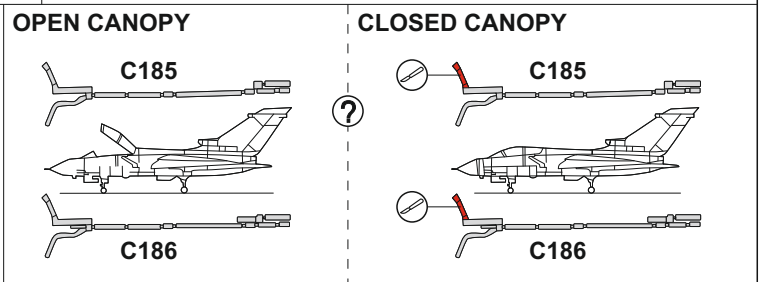
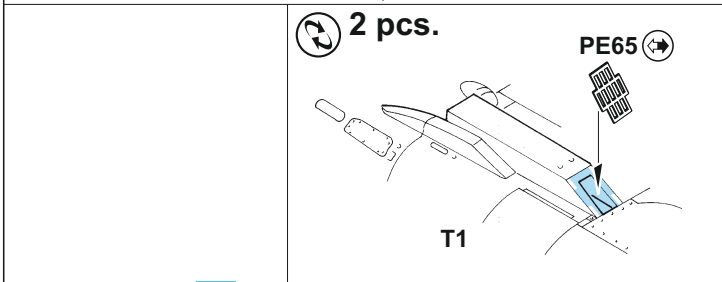
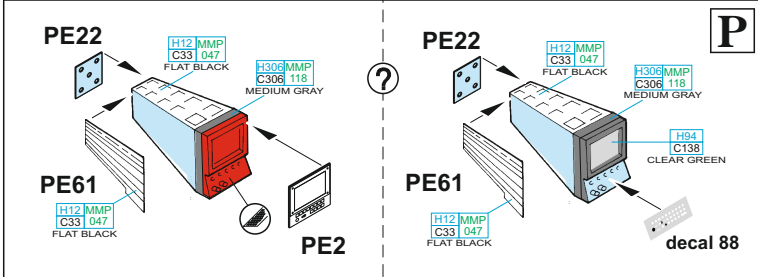
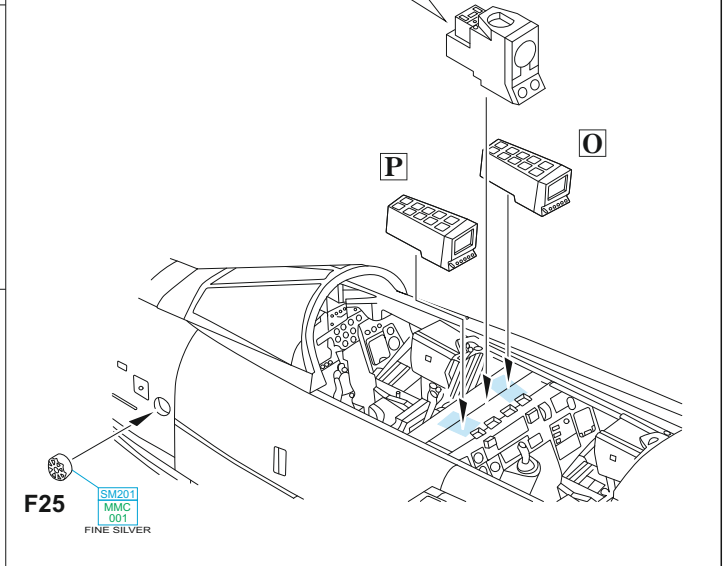
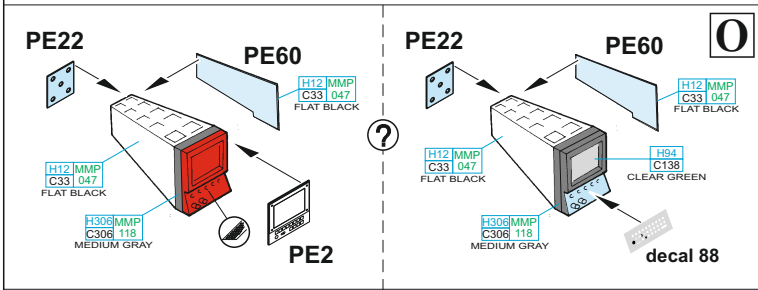
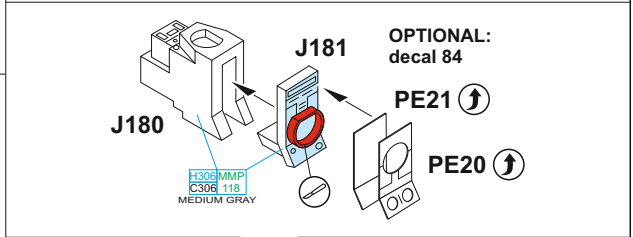
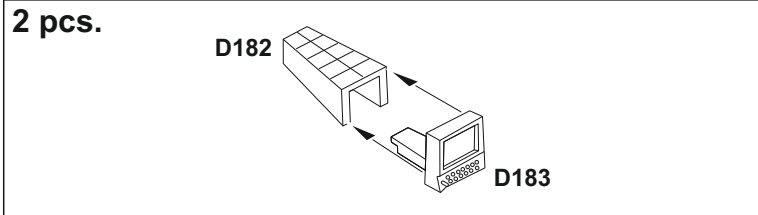
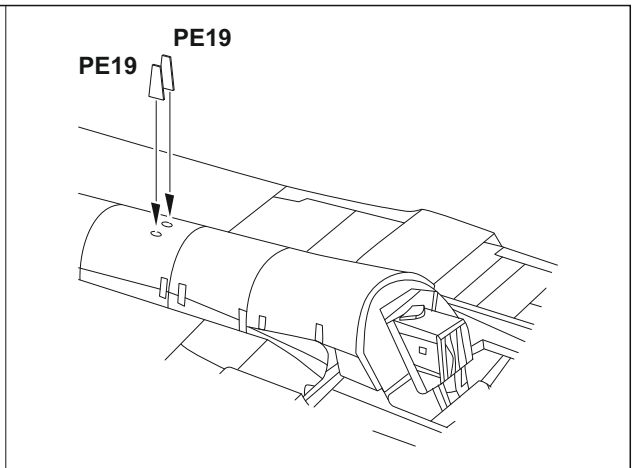
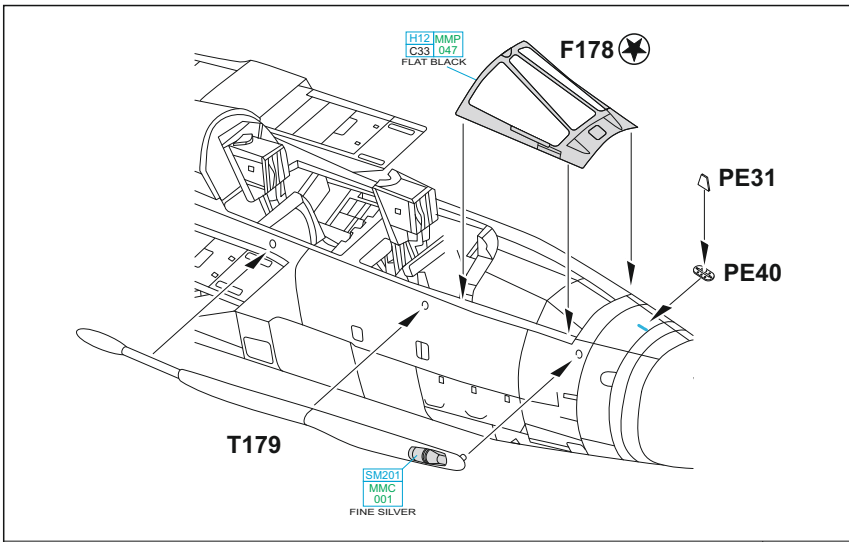
RP1 ↔

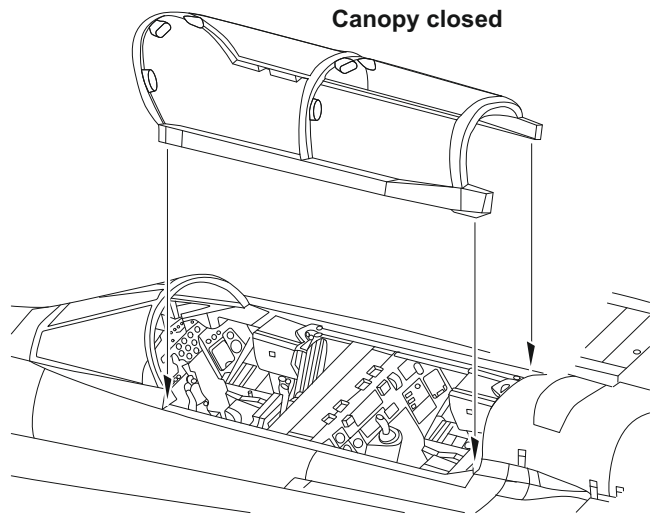
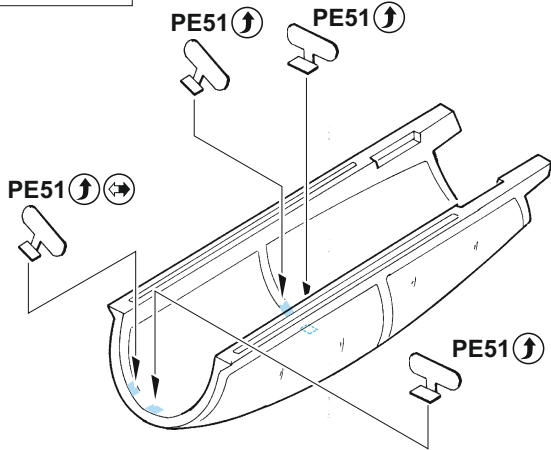
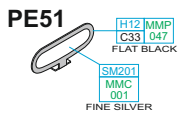


M → N

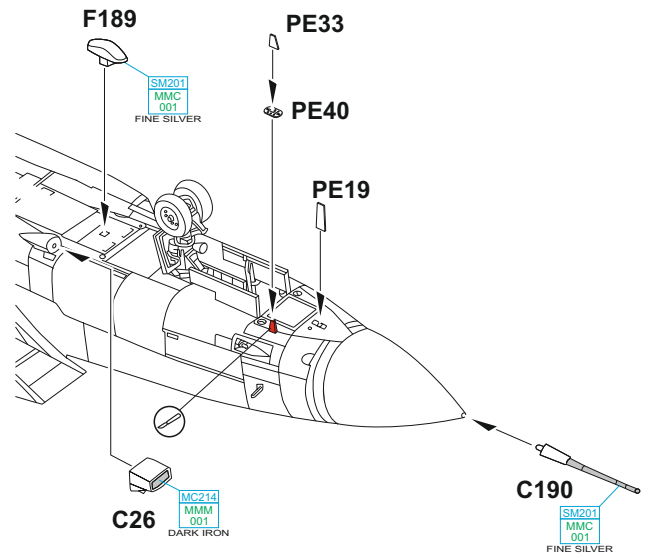
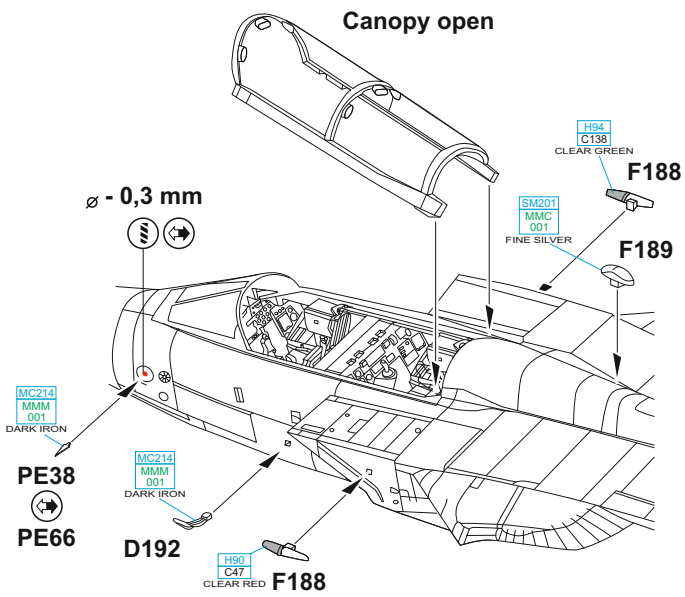
M → N



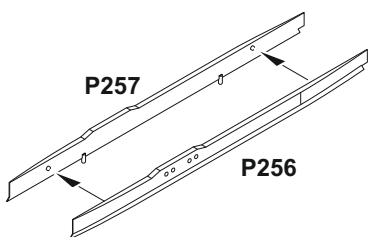




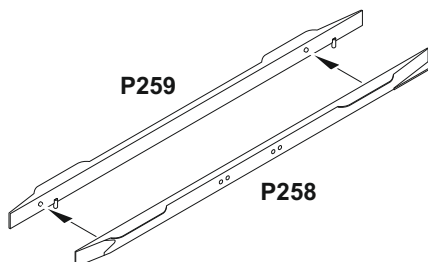
?



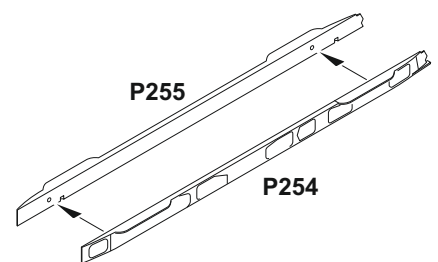
Q

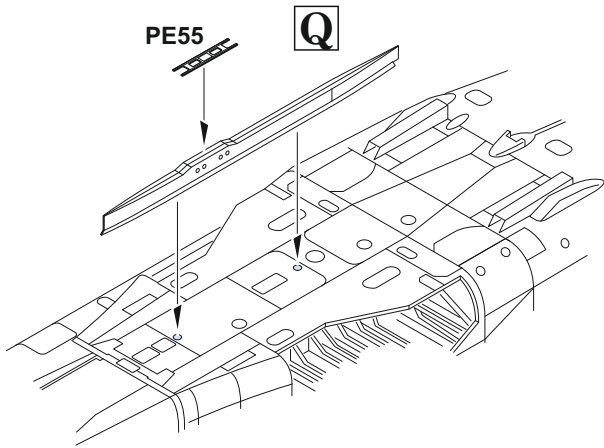


R

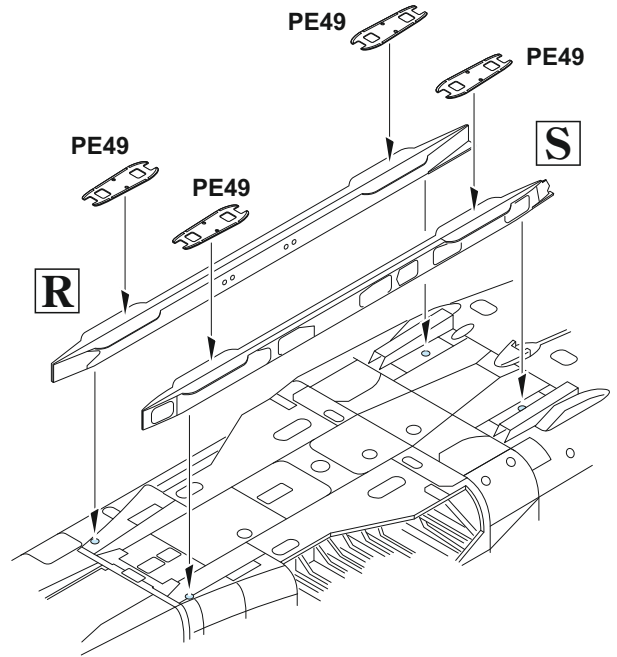


S

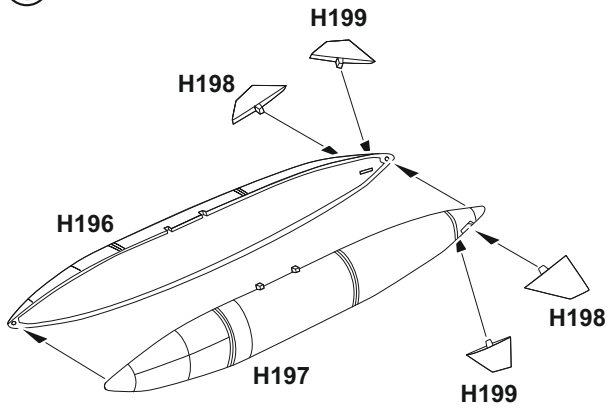




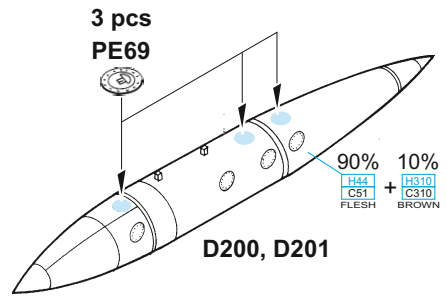
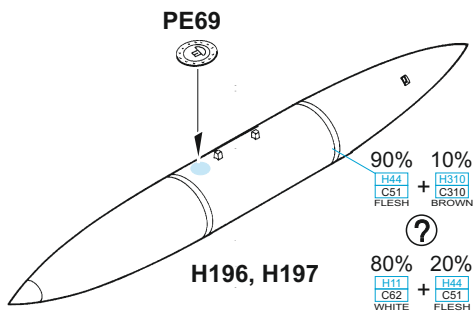
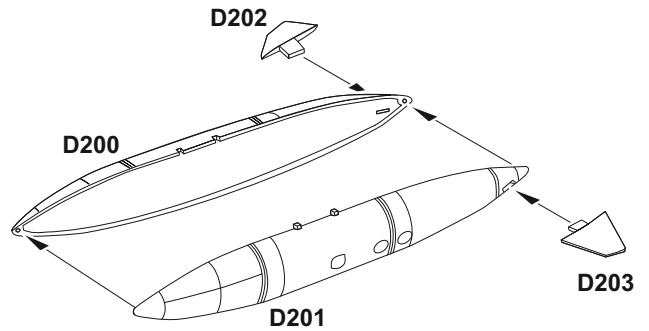
?



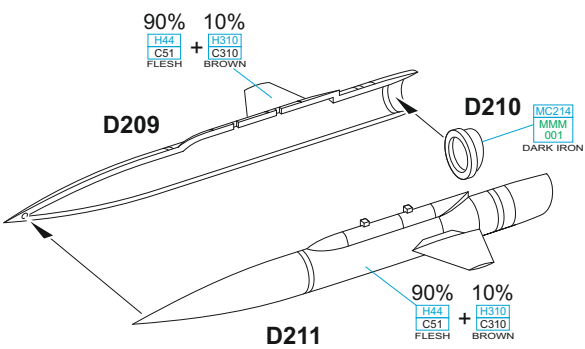
T ? 2 pcs.



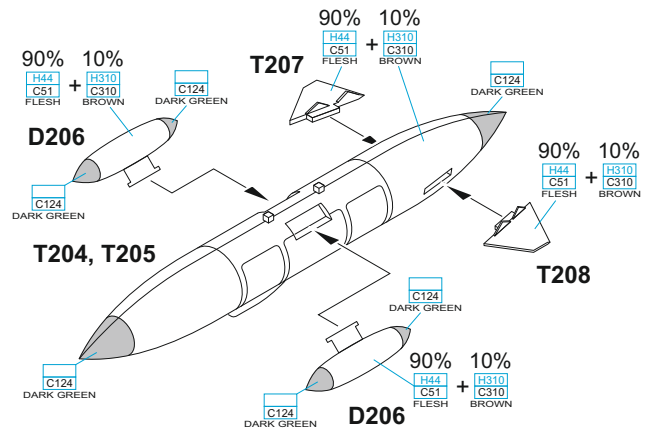
U ? 2 pcs.



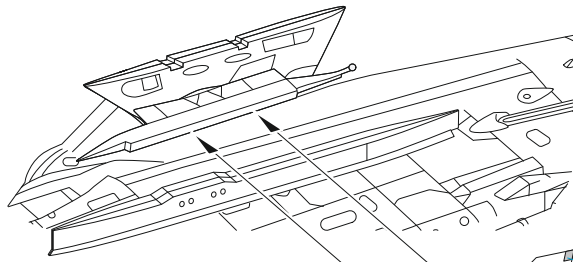
V



W



M↔N



MC218
MMM
003
ALUMINIUM

MC213
MMM
005
STAINLESS

H12 MMP
C33 047
FLAT BLACK

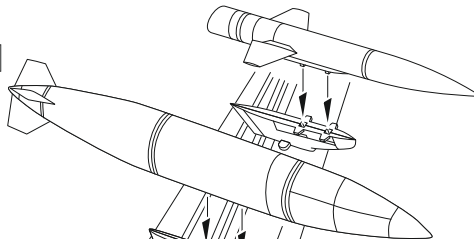
D212

H38 MMP
C338 119
LIGHT GRAY

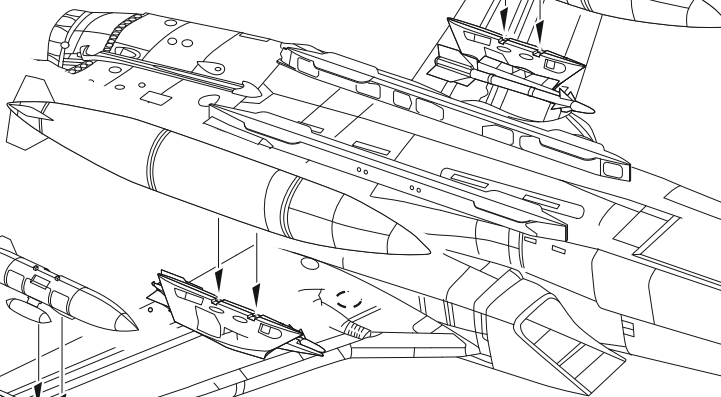
MC218
MMM
003
ALUMINIUM

V

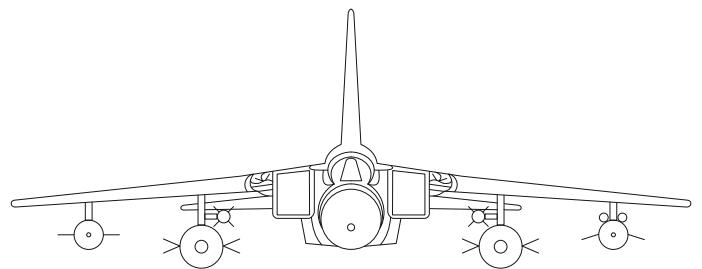
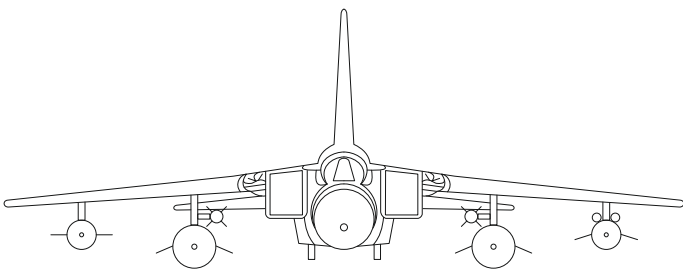
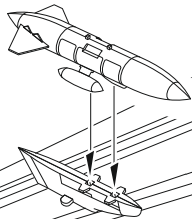
T?U



T?U



W



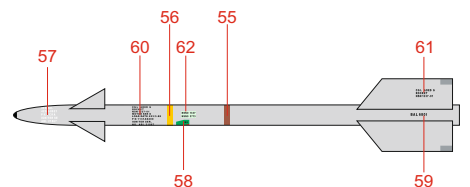
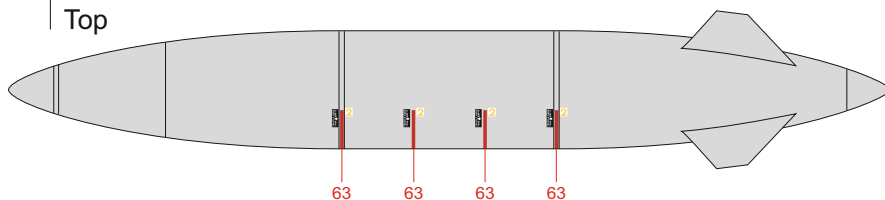
Desert Babe

STENCILING POSITIONS

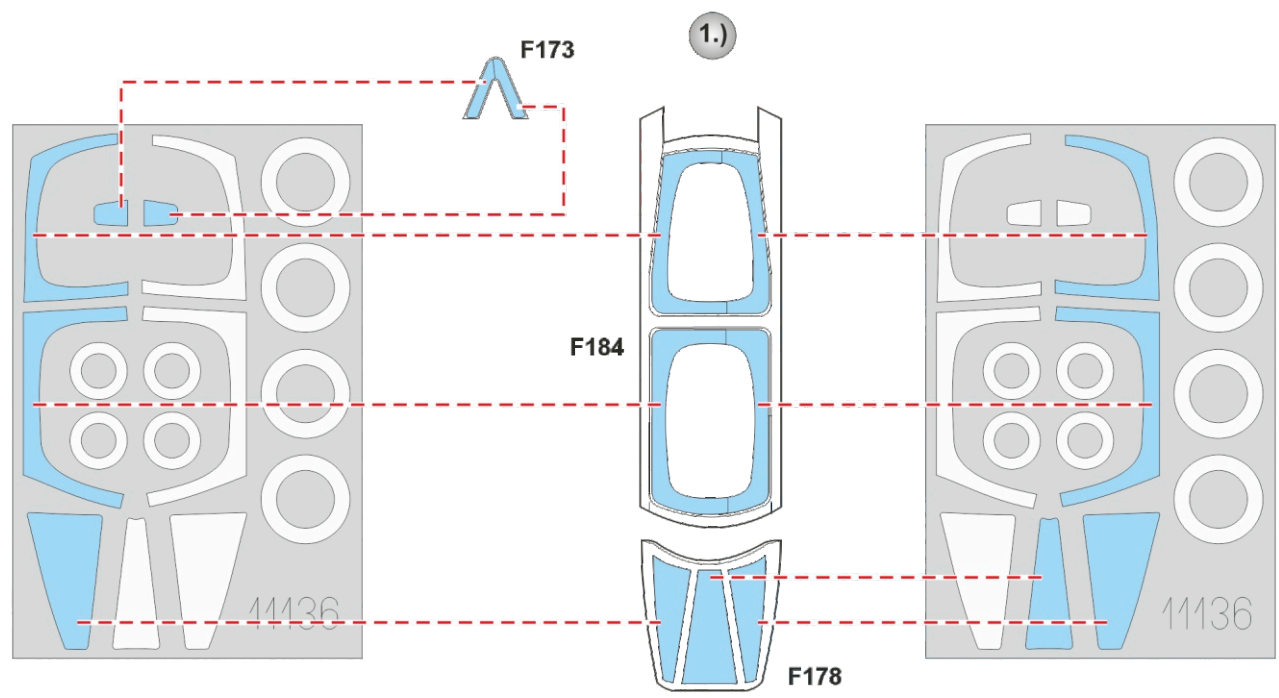
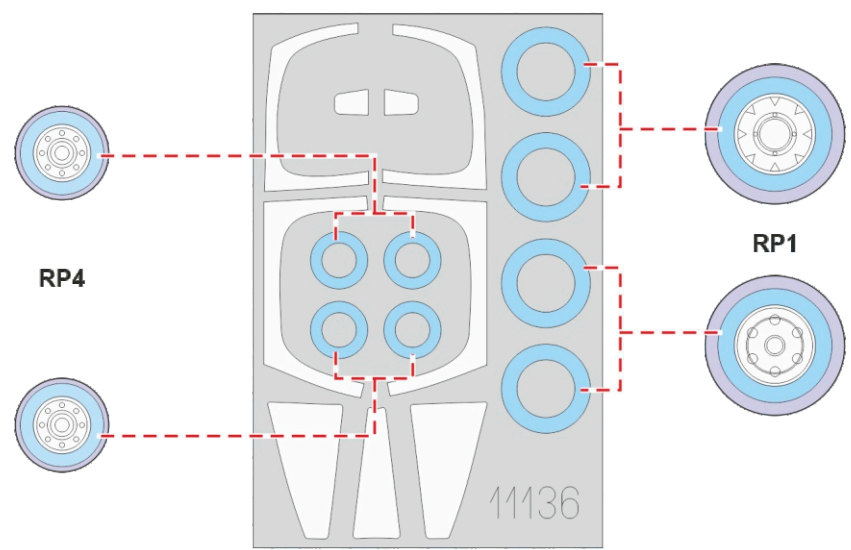
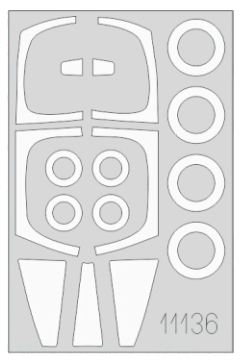
2250 ltr tank 2x

Sidewinder 4x

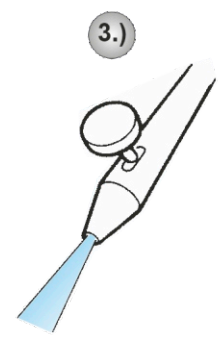
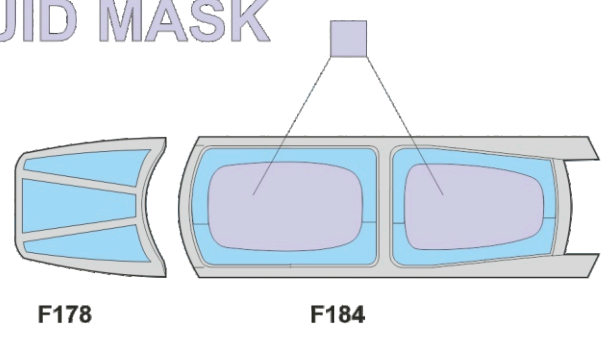
↑ Top



11136



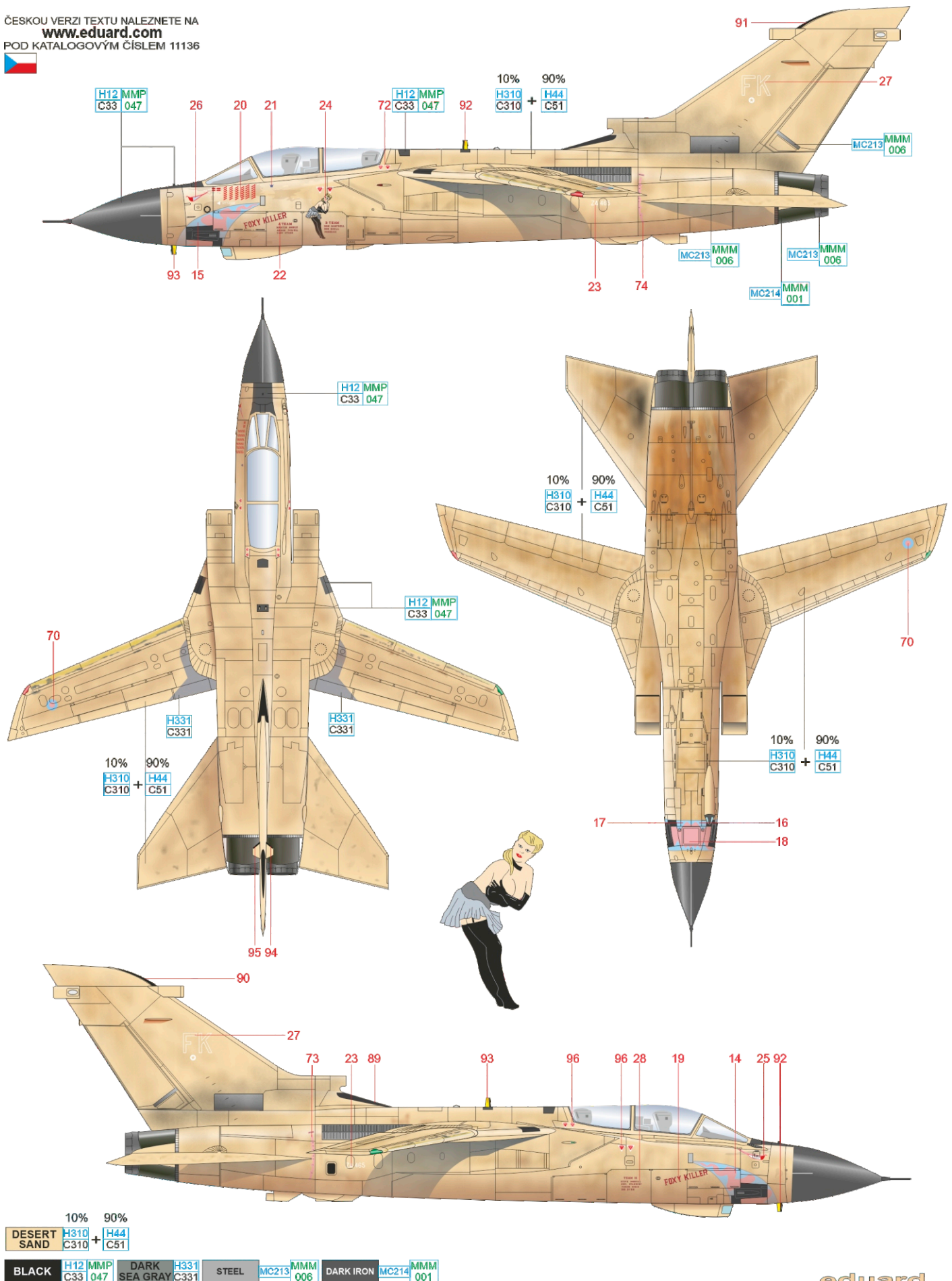
2.) LIQUID MASK



A ZA465, Foxy Killer, No. 16 Squadron, Tabuk AB, Saudi Arabia, 1991

Aircraft from No. 16 Squadron, based at RAF Laarbruch, a British airbase in Ruhrlund-Vestfalia territory, deployed in late September 1990 to Muharrag airbase, Bahrain. Shortly after, ZA465 moved with others of the GR.1 fleet to the Tabuk airbase and in the course of Operation Granby ZA465/FK completed the highest number of missions achieved by any of the Tornado GR.1s during the operation, including a symbol for destroying a MiG-29. This aircraft carried a pale blue and pink sharkmouth.

ČESKOU VERZI TEXTU NALEZNETE NA
www.eduard.com
 POD KATALOGOVÝM ČÍSLEM 11136

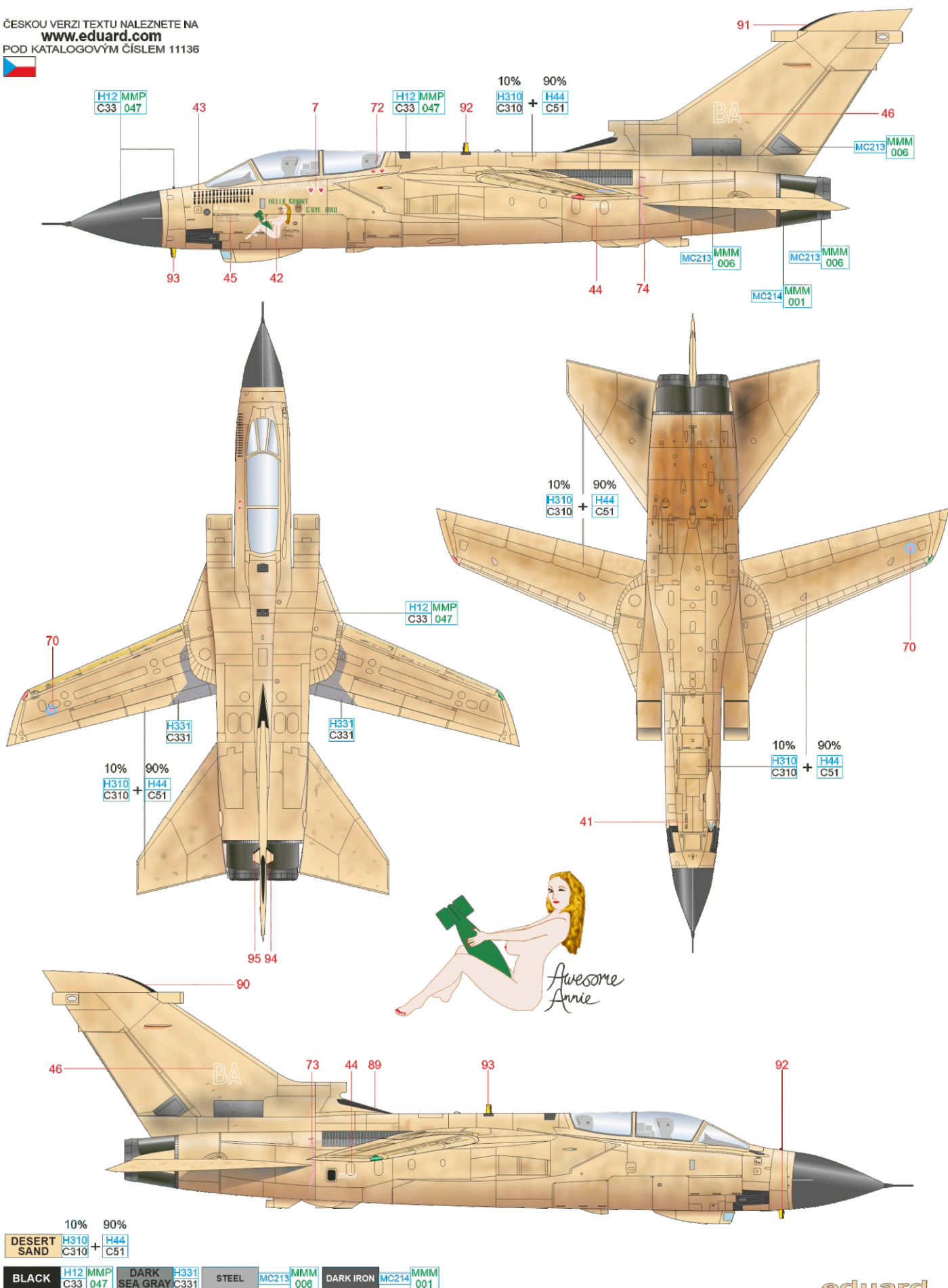


10%	90%						
DESERT SAND	H310 C310	+	H44 C51	BLACK	H12 MMP C33 047	DARK SEA GRAY	H331 C331
					STEEL		MC213
							MMM 006
							MC214
							MMM 001

B ZD809, Awesome Annie, No. 617 Squadron, Muharraq AB, Bahrain, 1991

Part of the forces operating out of the Muharraq airbase in Bahrain was also No. 15 Squadron detachment, supported by No. 9, 27 and 617 Squadrons. Several aircraft flying sorties out of this base had the inscription 'Hello Kuwait G' Bye Iraq' painted under the canopy. ZD809/BA was complemented with pin-up girl 'Awesome Annie' holding a bomb. By the end of the conflict, 33 mission markings were painted on the left side of the nose as well.

ČESKOU VERZI TEXTU NALEZNETE NA
www.eduard.com
 POD KATALOGOVÝM ČÍSLEM 11136



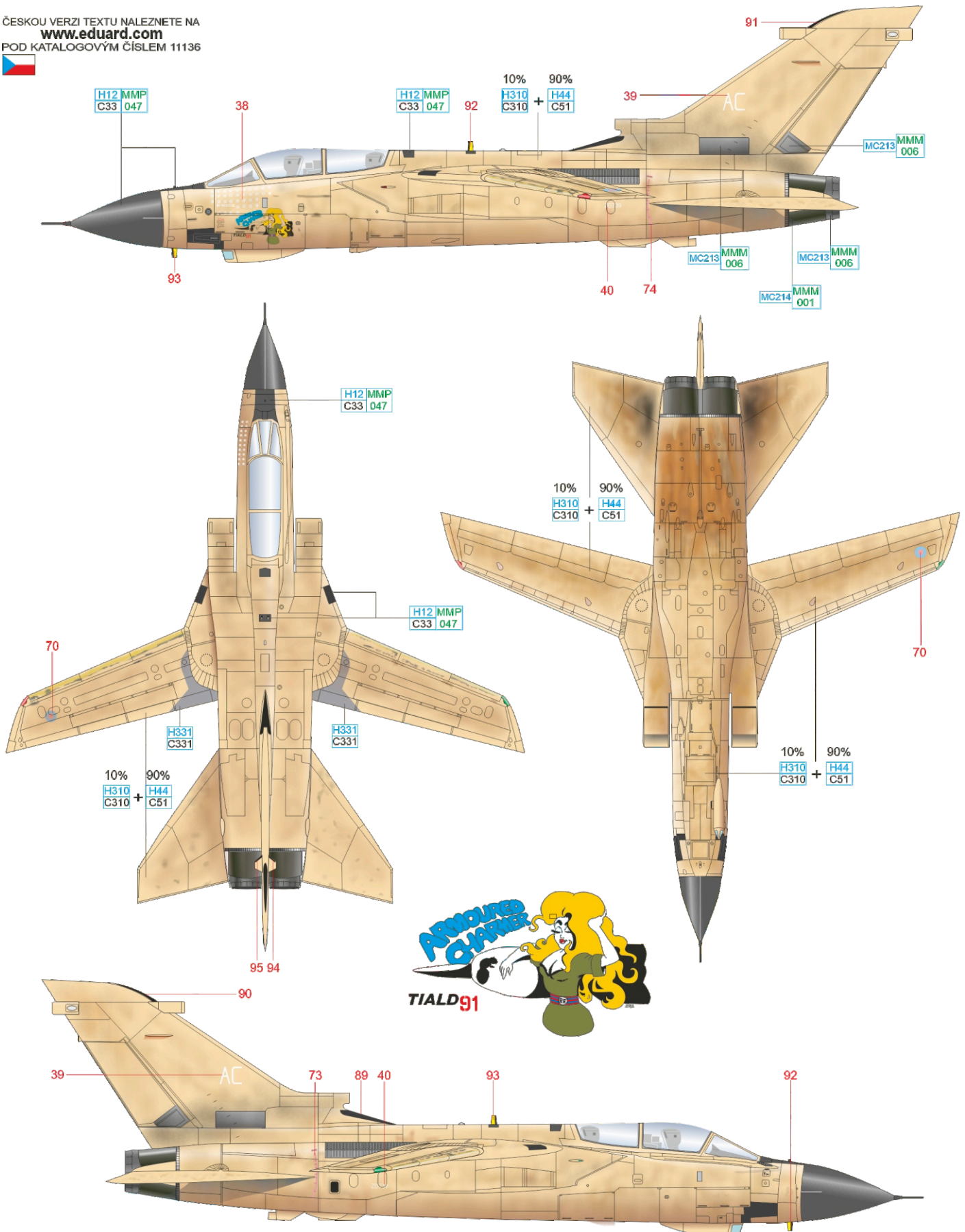
10% 90%
 DESERT SAND H310 H44
 C310 + C51

BLACK H12 MMP H331 DARK SEA GRAY H331 STEEL MC213 MMM DARK IRON MC214 MMM
 C33 047 C331 C331 006 001

C ZD739, Armoured Charmer, No. 9 Squadron, Tabuk AB, Saudi Arabia, 1991

ZD739/AC was one of the aircraft modified to carry the Thermal Imaging Airborne Laser Designator pod (TIALD). This device marked, or 'spiked' the targets selected to guide laser guided bombs carried by other Tornado's. There were 36 TIALD mission markings under the windshield as well as a pretty girl called 'Armoured Charmer' leaning against the bomb nose art.

ČESKOU VERZI TEXTU NALEZNETE NA
www.eduard.com
 POD KATALOGOVÝM ČÍSLEM 11136

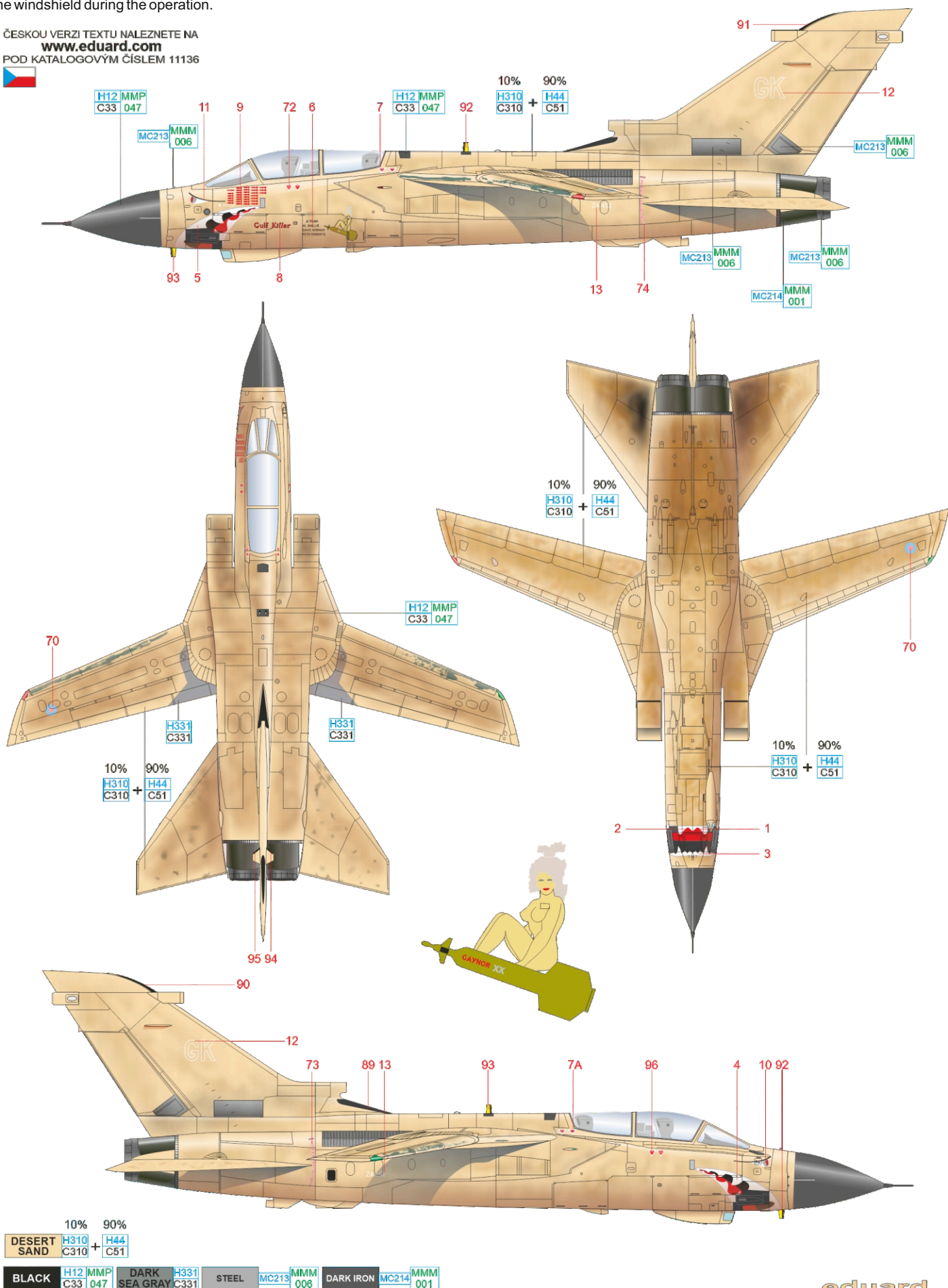


10%	90%						
DESERT SAND	H310 C310	+	H44 C51	BLACK	H12 MMP C33 047	DARK SEA GRAY	H331 C331
					STEEL	MC213	MMM 006
						DARK IRON	MC214
							MMM 001

D ZA452, Gulf Killer, No. 20 Squadron, Tabuk AB, Saudi Arabia, 1991

One of the sixty Tornado GR.1s deployed by the Royal Air Force during Operation Granby was ZA452/GK, from No. 20 Squadron, operating out of Tabuk Airbase, Saudi Arabia. Before the departure to the Middle East, these Tornados were over sprayed in the Alkali temporary removable paint called Desert Pink, a mixed paint to match Desert Sand FS30279. ZA452 was named 'Gulf Killer' which originated from the No. 20 Squadron tail code letters GK, painted in white outline font. A sharkmouth and a lady sitting on a Paveway II bomb were painted on the aircraft nose. The 31 mission markings were continuously added under the windshield during the operation.

ČESKOU VERZI TEXTU NALEZNETE NA
www.eduard.com
 POD KATALOGOVÝM ČÍSLEM 11136



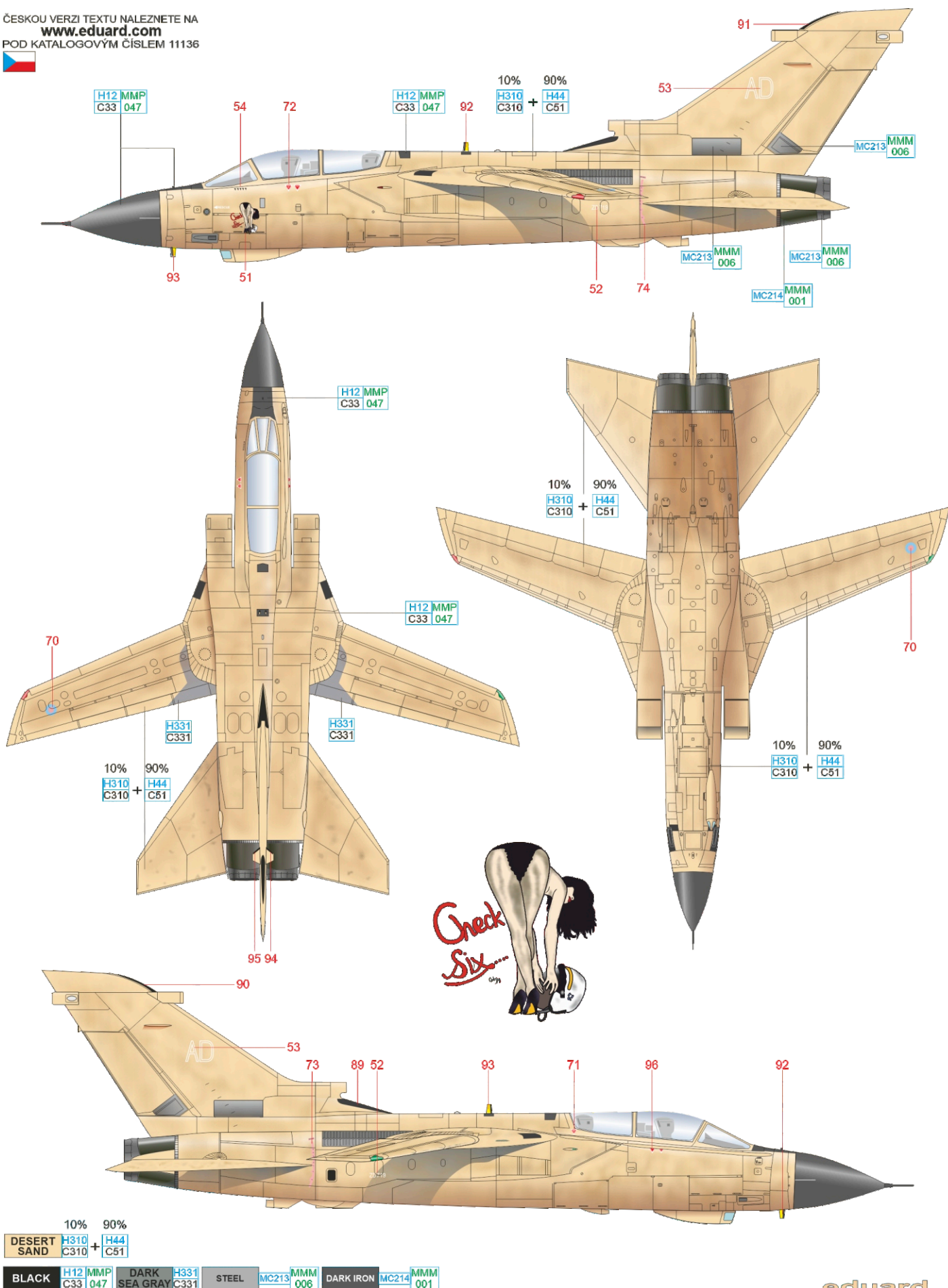
10% 90%
 DESERT SAND H310 H44
 C310 + C51

BLACK H12 MMP H331 DARK SEA GRAY H331 STEEL MC213 MMM DARK IRON MC214 MMM
 C33 047 C331 C331 006 001

E ZD719, Check Six, No. 9 Squadron, Dhahran AB, Saudi Arabia, 1991

ZD719/AD of No. 9 Squadron initially deployed to Tabuk airbase, but transferred to the No. 31 Squadron led detachment, which operated from Dhahran airbase in Saudi Arabia. The ground crew added a pin-up girl nose art to the well-known pilot's rule to watch your back (Check Six!) painted under the windshield. ZD719 had 5 mission markings applied.

ČESKOU VERZI TEXTU NALEZNETE NA
www.eduard.com
 POD KATALOGOVÝM ČÍSLEM 11136



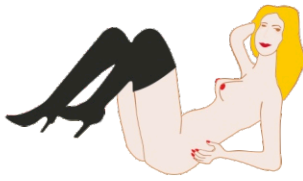
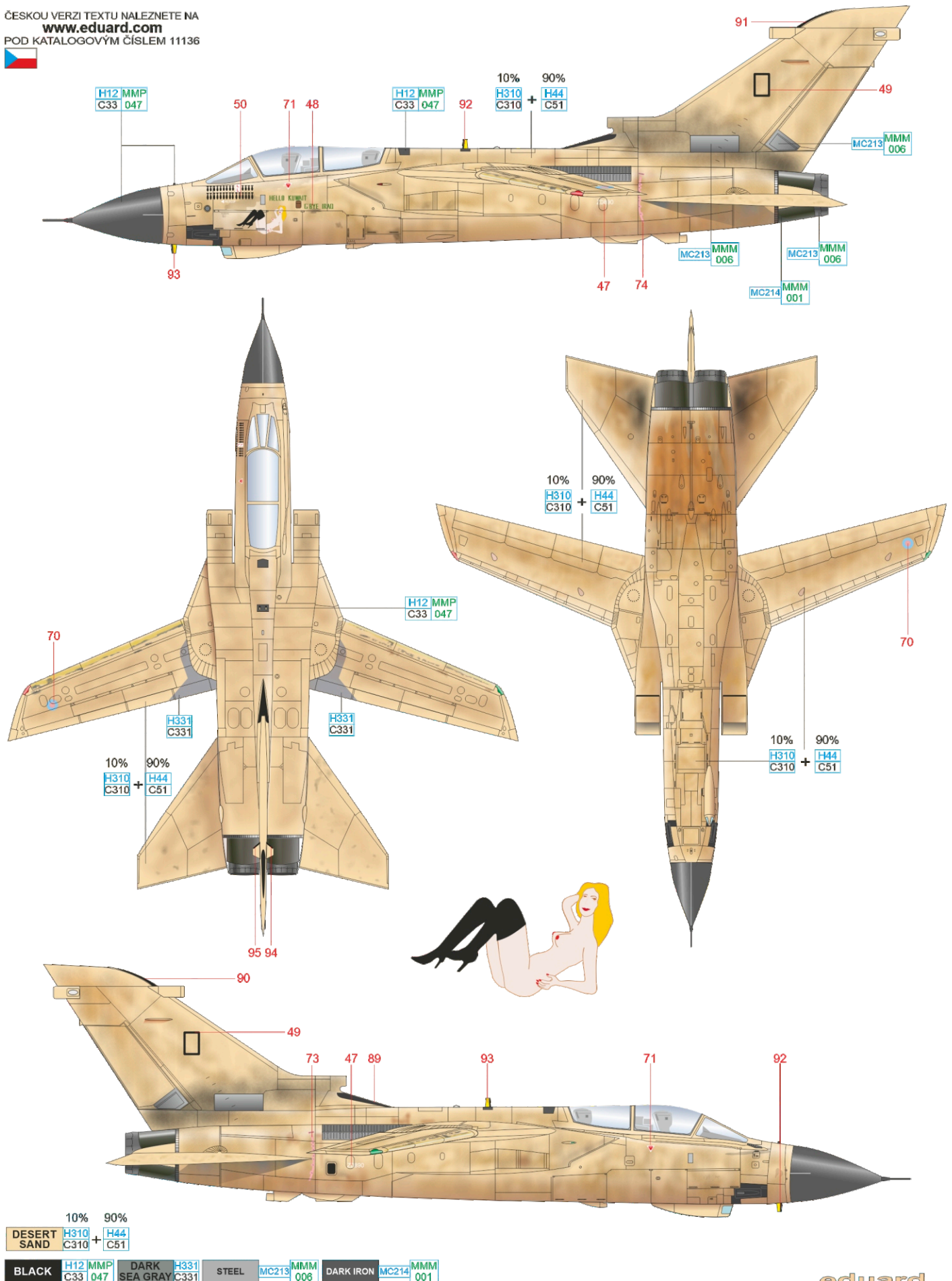
10% 90%
 DESERT SAND H310 C310 + H44 C51

BLACK H12 MMP C33 047 DARK SEA GRAY H331 C331 STEEL MC213 MMM 006 DARK IRON MC214 MMM 001

F ZD890, No. 9 Squadron, Muharraq AB, Bahrain, 1991

During the Operation Granby, Muharraq airbase in Bahrain was a home to ZD890/O, on which the ground crew painted 28 missions markings and two 'L' plates completed during the Gulf War. Same as the aircraft ZD809, this airplane carried the inscription 'Hello Kuwait G' Bye Iraq' under the canopy as well as a reclining nude pin-up girl painting.

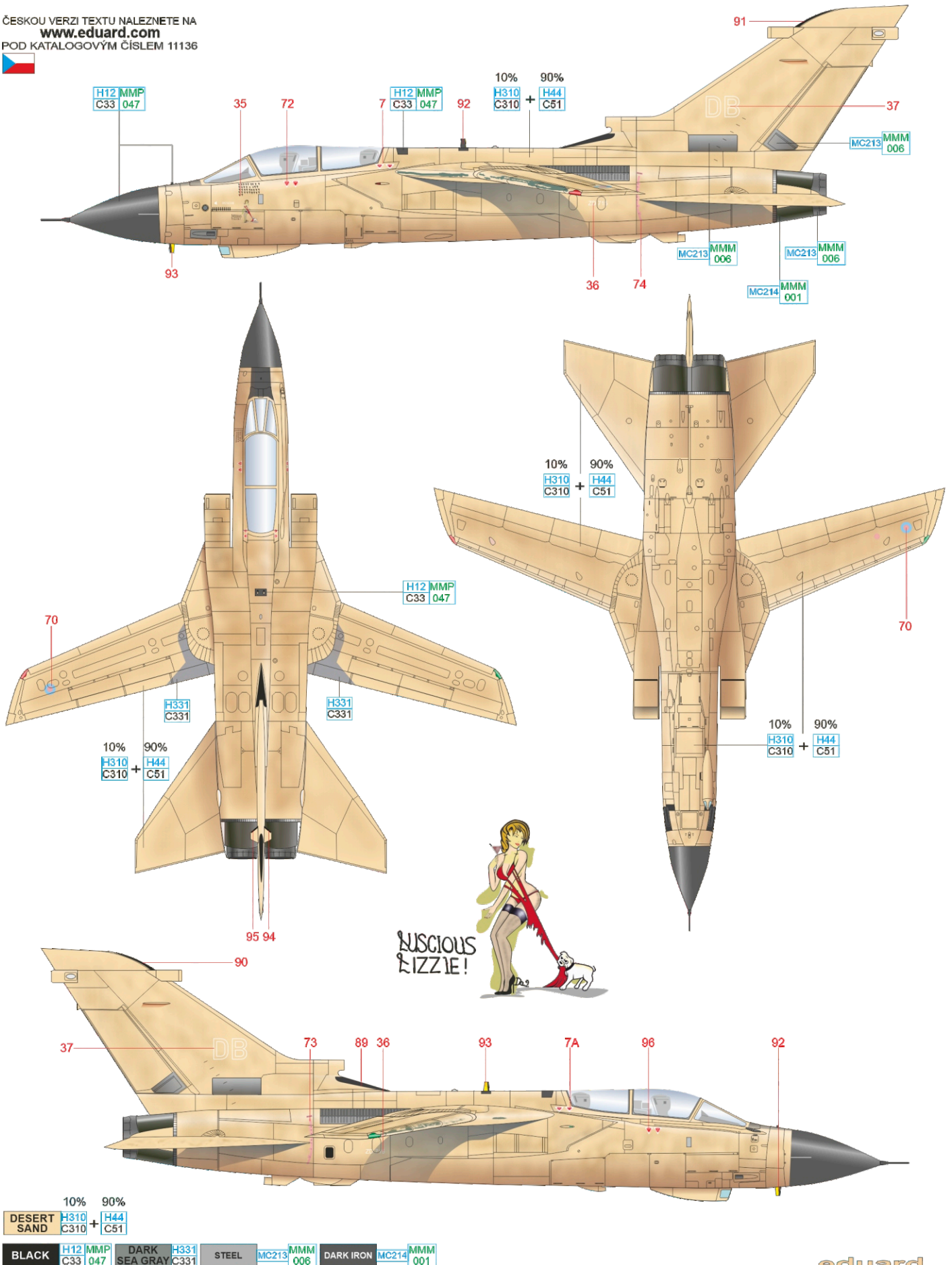
ČESKOU VERZI TEXTU NALEZNETE NA
www.eduard.com
 POD KATALOGOVÝM ČÍSLEM 11136



G ZD715, Luscious Lizzie!, No. 31 Squadron, Dhahran AB, Saudi Arabia, 1991

The first twelve Tornado GR.1's, selected for Operation Granby, were deployed from RAF Brüggen airbase, located in Germany near the Holland border, to Dhahran airbase on the Saudi Arabian coast of the Persian Gulf. Led by Wg Cdr Witts, No. 31 Squadron was supplemented by elements from No. 9, No. 14 and No. 17 Squadrons and was active during the entire period of hostilities. The unit commander, Wg Cdr Jeremy Witts, was awarded DSO for his actions. ZD715/DB sported on the right fuselage side one of the most attractive pin-up girl nose art. The completed missions were marked on the same spot in the form of the bombs or palm trees.

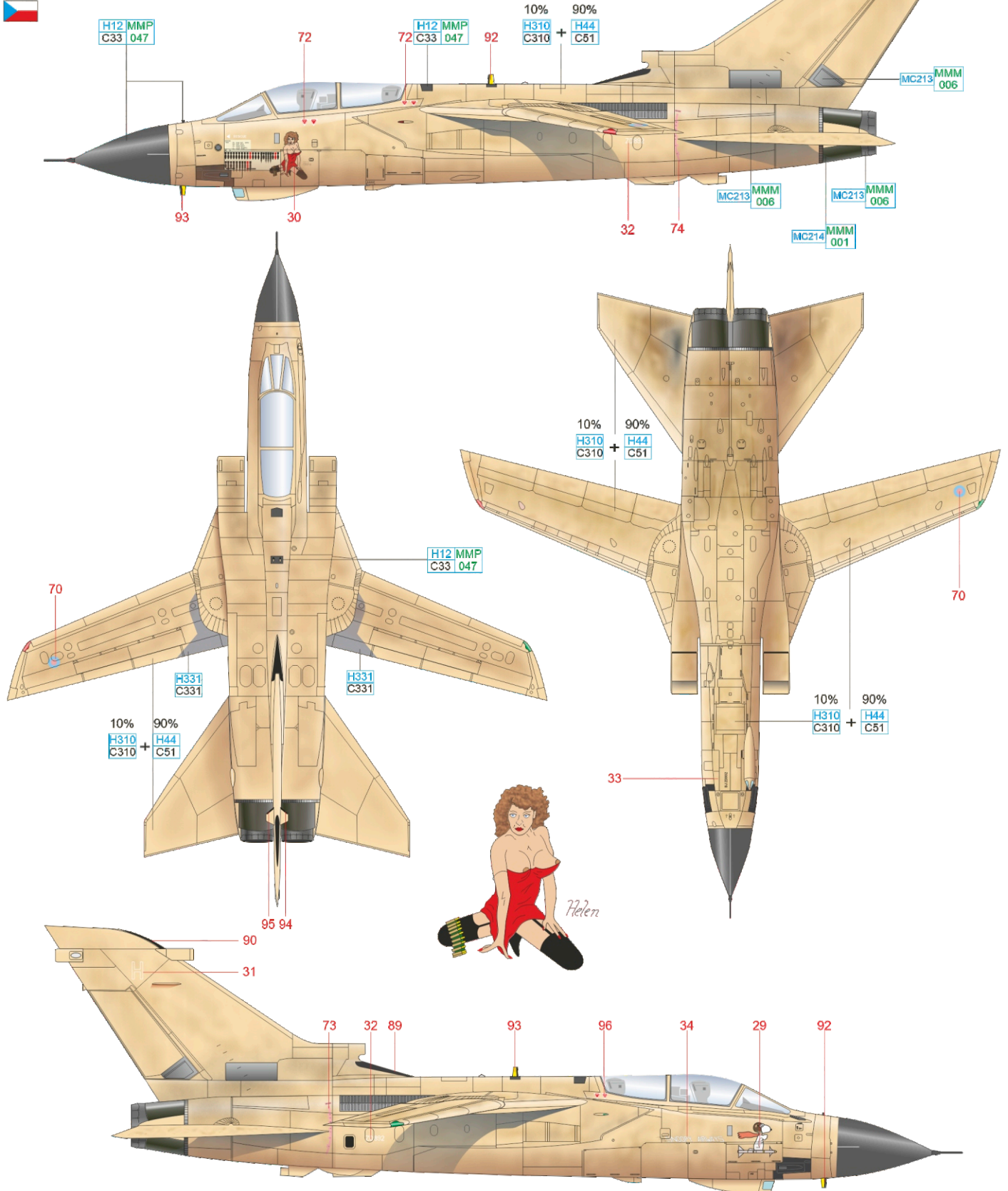
ČESKOU VERZI TEXTU NALEZNETE NA
www.eduard.com
 POD KATALOGOVÝM ČÍSLEM 11136



H ZD892, Helen, No. 617 Squadron, Muharraq, Bahrain, 1991

The majority of Tornado GR.1's flown by the RAF during the Operation Granby were decorated by nose arts, most frequently in the form of sparsely-clad girls or women painted on the port side of the fuselage under the canopy. Several Tornado's at Muharraq carried artwork on the starboard fuselage side of Snoopy flying on a bomb and 'Snoopy Airways' title. ZD892/H was different in that the comics character saddles a Sidewinder missile. A pin-up girl called 'Helen' as well as a 31 mission score-board was on the port side of the fuselage.

ČESKOU VERZI TEXTU NALEZNETE NA
www.eduard.com
 POD KATALOGOVÝM ČÍSLEM 11136



10% 90%
 DESERT SAND H310 C310 + H44 C51

BLACK H12 MMP C33 047 DARK SEA GRAY H331 C331 STEEL MC213 MMM 006 DARK IRON MC214 MMM 001

SPECIAL THANKS TO ANDY ROBINSON AND JAKUB CIKHART
 AND HIS PAGE DSTORM.EU TO COOPERATION ON THIS PROJECT.

eduard