

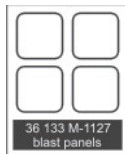
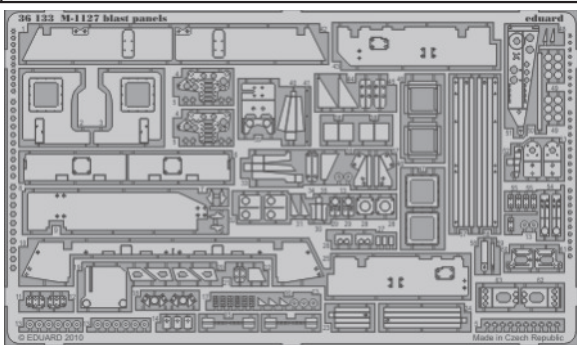


M-1127 blast panels

1/35 scale detail set for Trumpeter kit • sada detailů pro model 1/35 Trumpeter

eduard

36 133

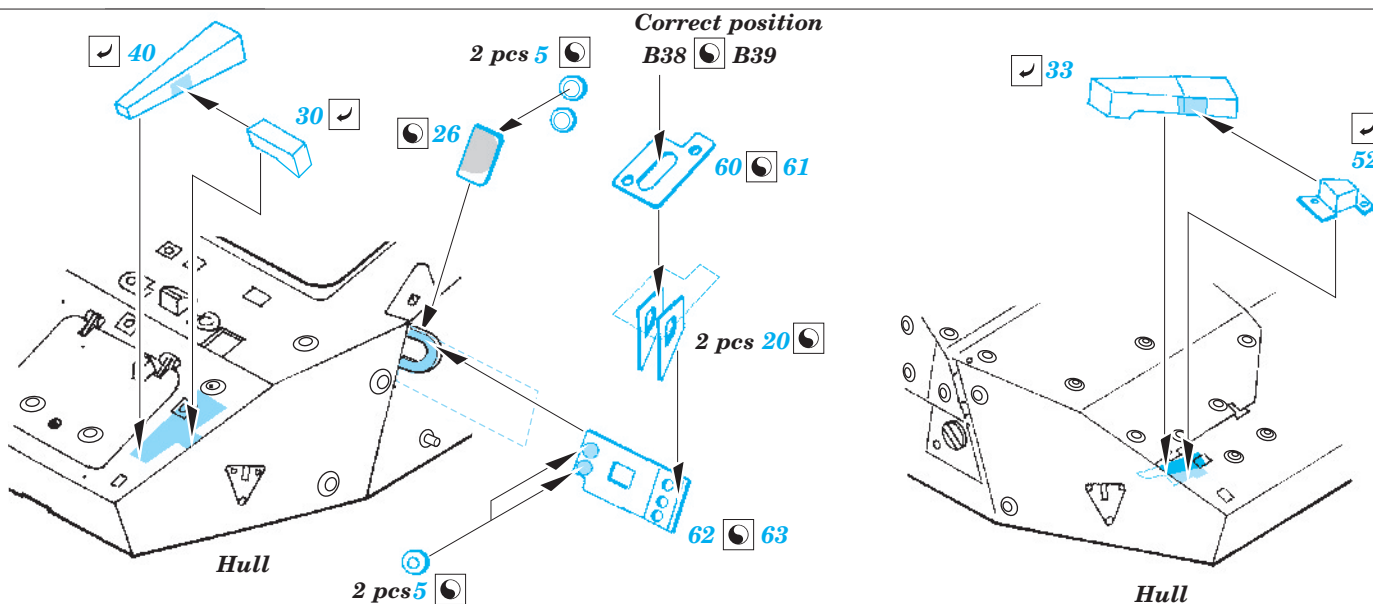


Film

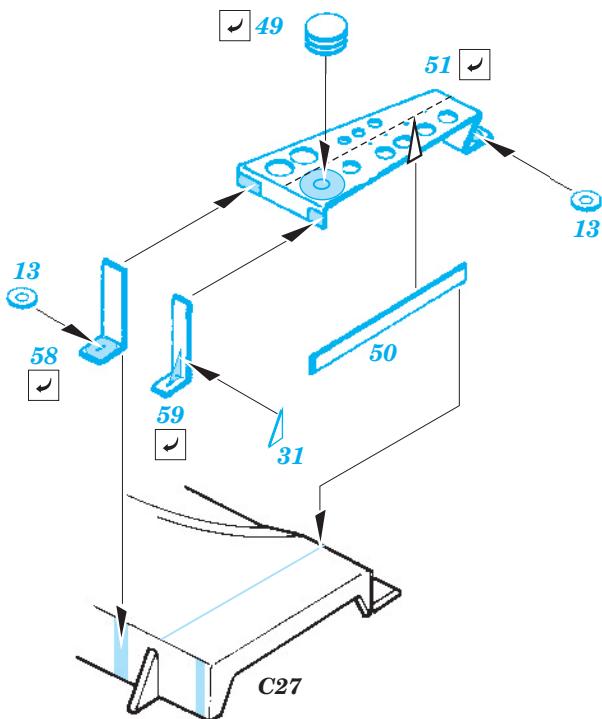
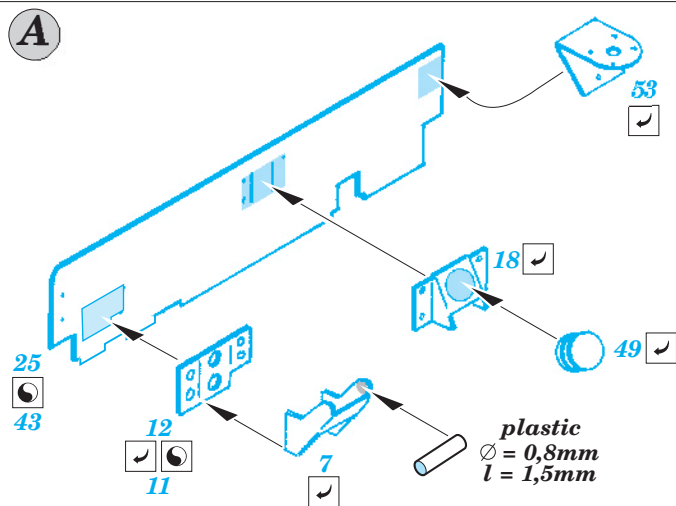
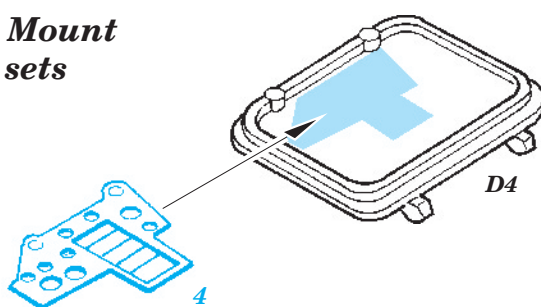
- ★ APPLY EXPRESS MASK AND PAINT BEFORE GLUING
POUŽIT EXPRESS MASK NABARVIT PŘED SLEPENÍM
- ☉ SYMMETRICAL ASSEMBLY
SYMETRICKÁ MONTÁŽ
- ☐ REMOVE
ODSTRANIT
- ☐ GRIND
OBROUSIT
- ☐ DRILL HOLE
VRTAT OTVOR
- ↪ BEND
OHNOUT
- ❓ OPTION
VOLBA
- Ⓜ REPLACE
NAHRADIT

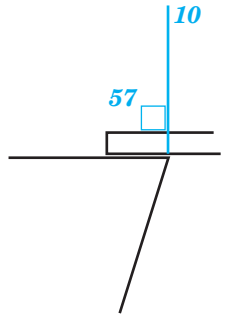
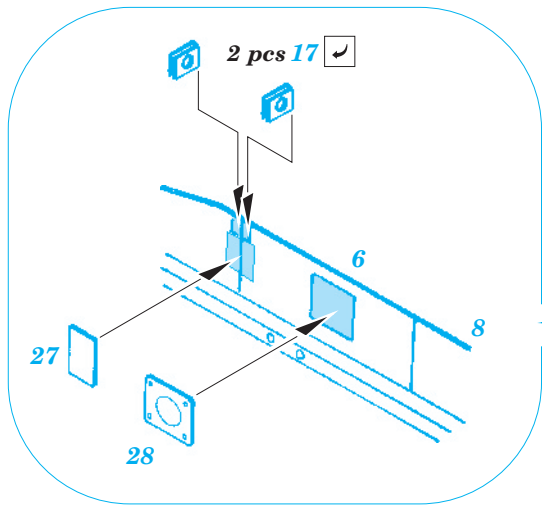
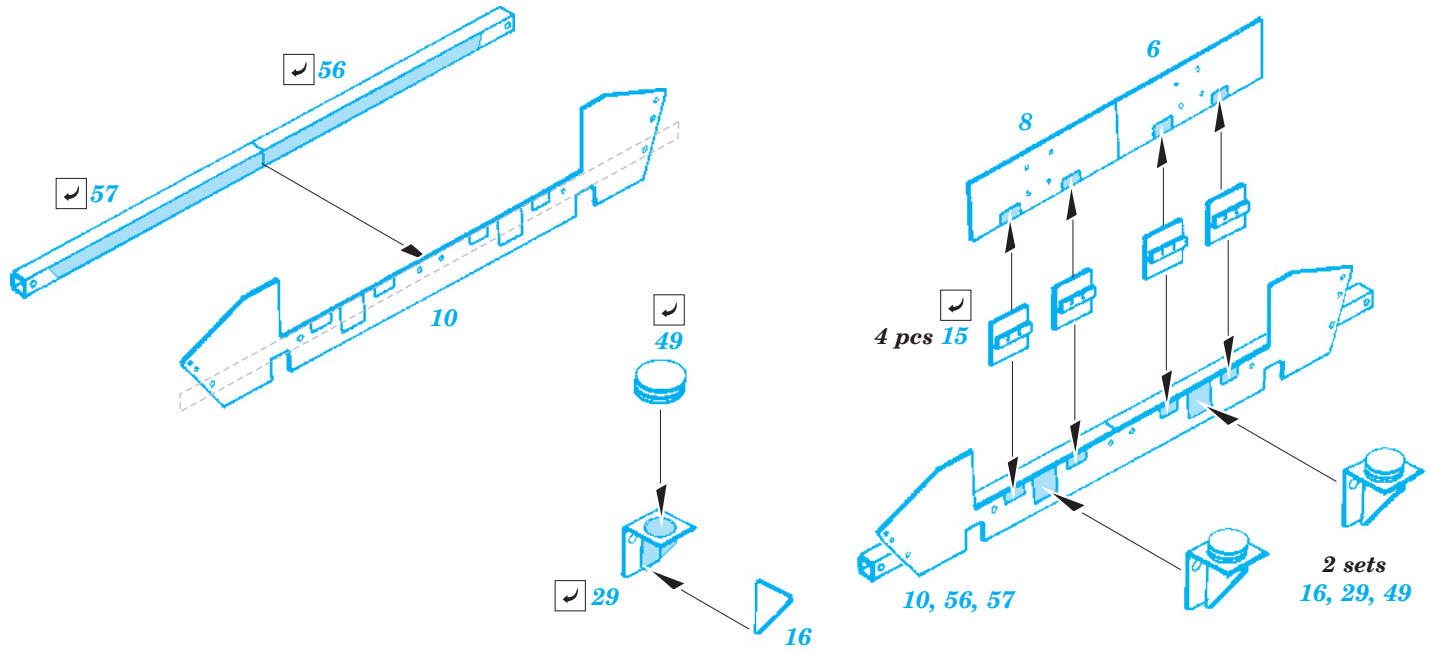
- ORIGINAL KIT PARTS
PŮVODNÍ DÍLY STAVEBNICE
- PHOTO-ETCHED PARTS
LEPTANÉ DÍLY
- PARTS TO BE REMOVED
DÍLY K ODSTRANĚNÍ
- FILL
TMELIT

This set must be used on base eduard 36 131 M-1127 slat armour (not included in this set)

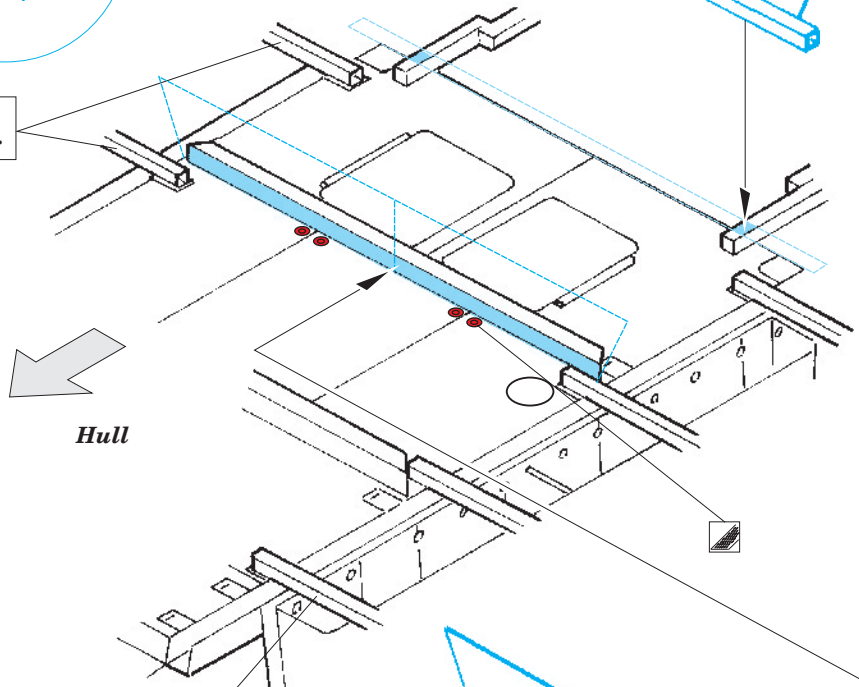


MG Mount 2 sets

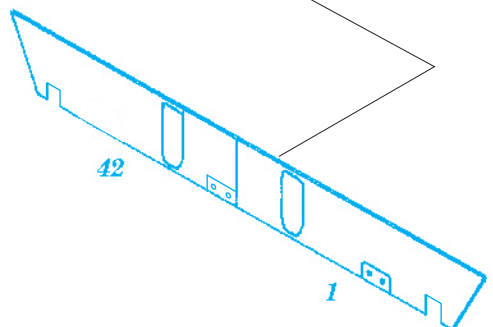




eduard
36 131 M-1127 slat armour



eduard
36 131 M-1127 slat armour



7, 12, 18, 25, 53

A

55

?

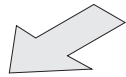
38

39

2 pcs 13

38

Hull



7, 11, 18, 43, 53

A

45

44

2 sets

32

2 pcs 13

Hull



37



36

B

22

21

23

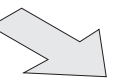
14

35

34

24

14



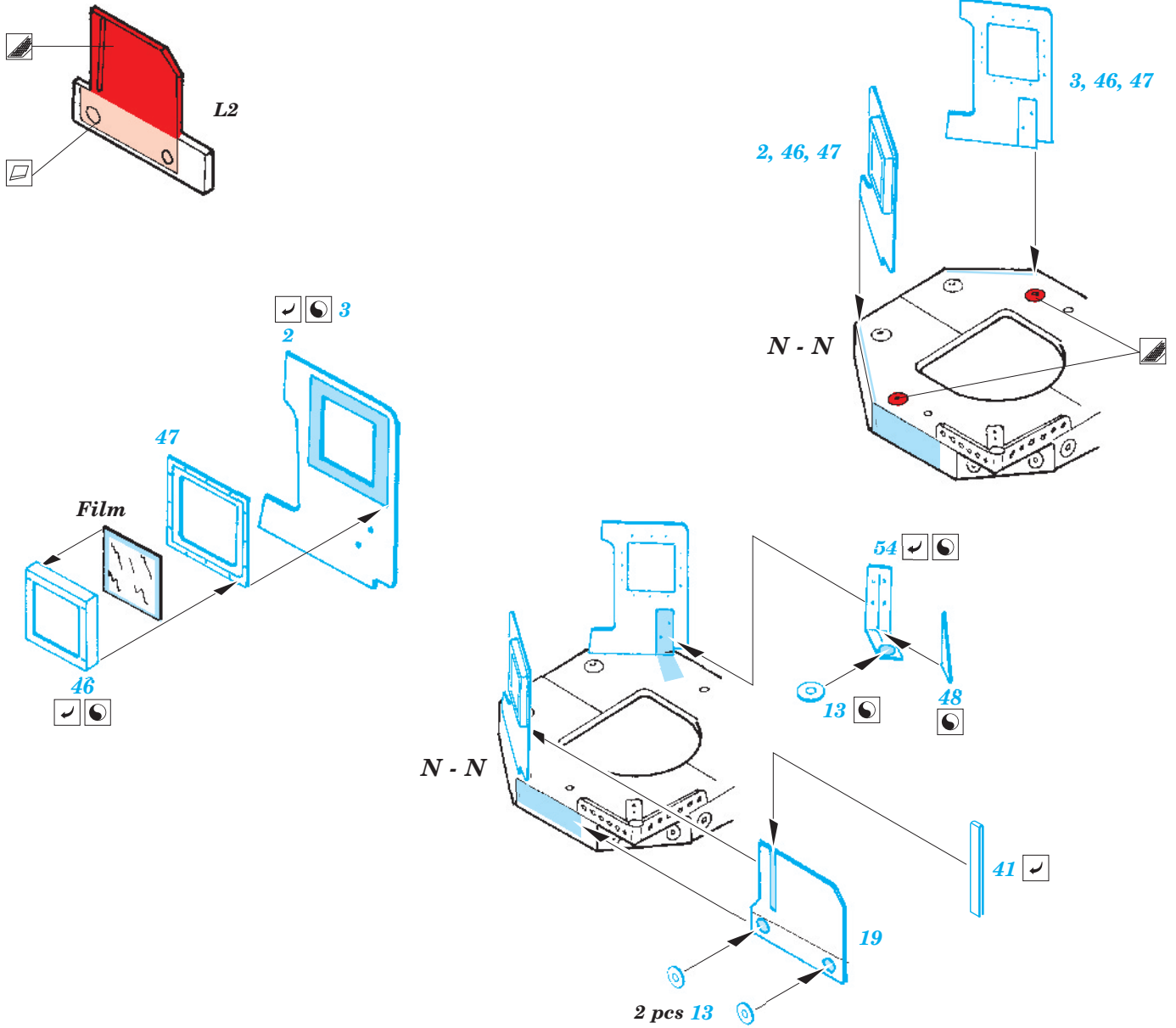
Hull

9

4 pcs 5

4 pcs 5

B



This set must be used on base eduard 36 131 M-1127 slat armour (not included in this set)



For further detail sets look for eduard 36 061 M-1127 RV, 36 063 M-1127 mounted rack and belts, 36 091 M-1127 storage belts, 36 128 M-1127 additional armour, TP 096 Stryker exhaust deflector (not included in this set)