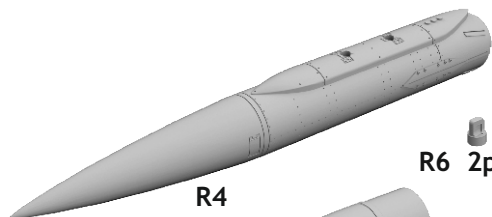


632 173 BOZ-107 pod

eduard
BRASSIN

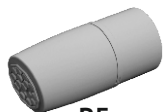
1/32 scale



R4



R6 2pcs.



R5



COLOURS

GSI Creos (GUNZE)		Mr.METAL COLOR	
AQUEOUS	Mr.COLOR		
H 8	C 8	SILVER	
H330	C330	DARK GREEN	
H334	C334	BARLEY GRAY	

eduard

435 21 Obrnice 170
Czech Republic

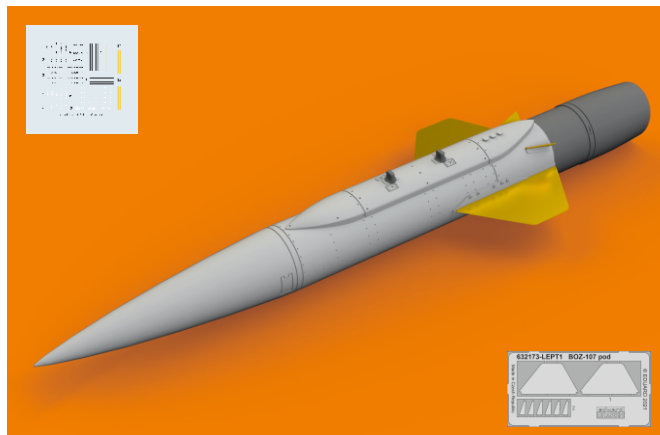
www.eduard.com
14,95



632 173

BOZ-107 pod

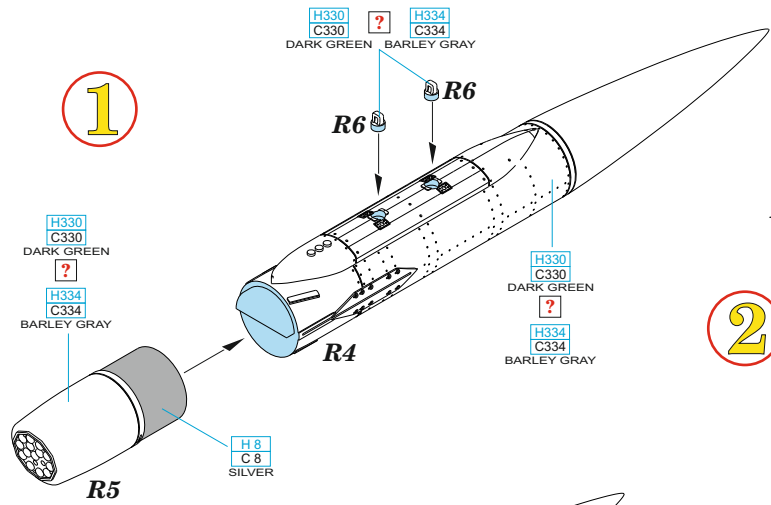
1/32



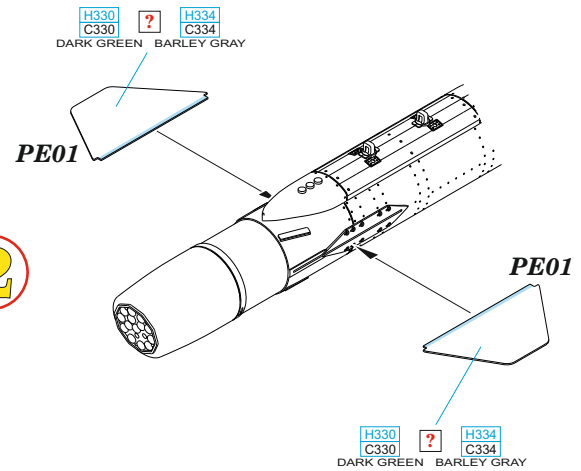
eduard



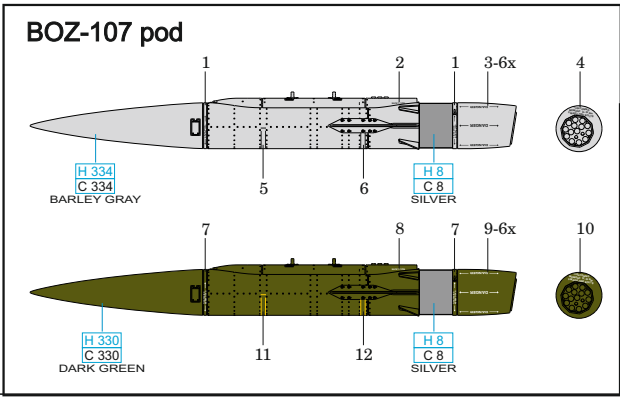
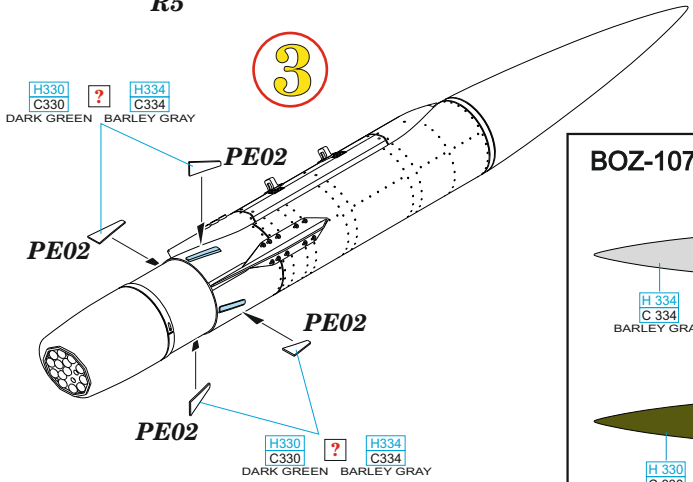
1



2



3



- REMOVE
ODSTRANIT
- BEND
OHNOUT
- GRIND
OBROUSIT
- ?
OPTIONAL
- DRILL HOLE
VRTAT OTVOR
- REPLACE
NAHRADIT
- SYMMETRICAL ASSEMBLY
SYMETRICKA MONTAZ
- SCRIBE THE PANEL AND HOLES
RYTI
- REVERSE SIDE
OTOČIT