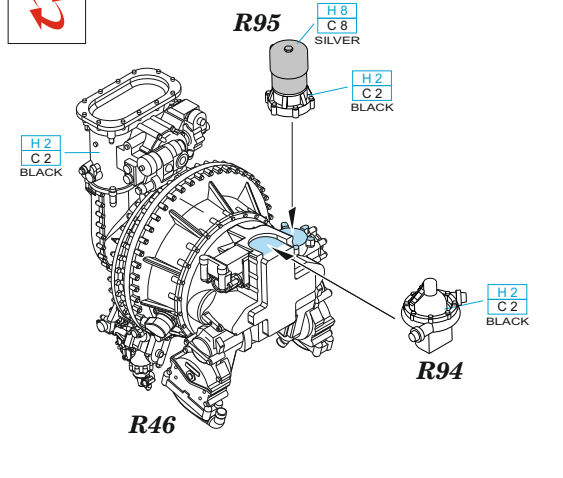
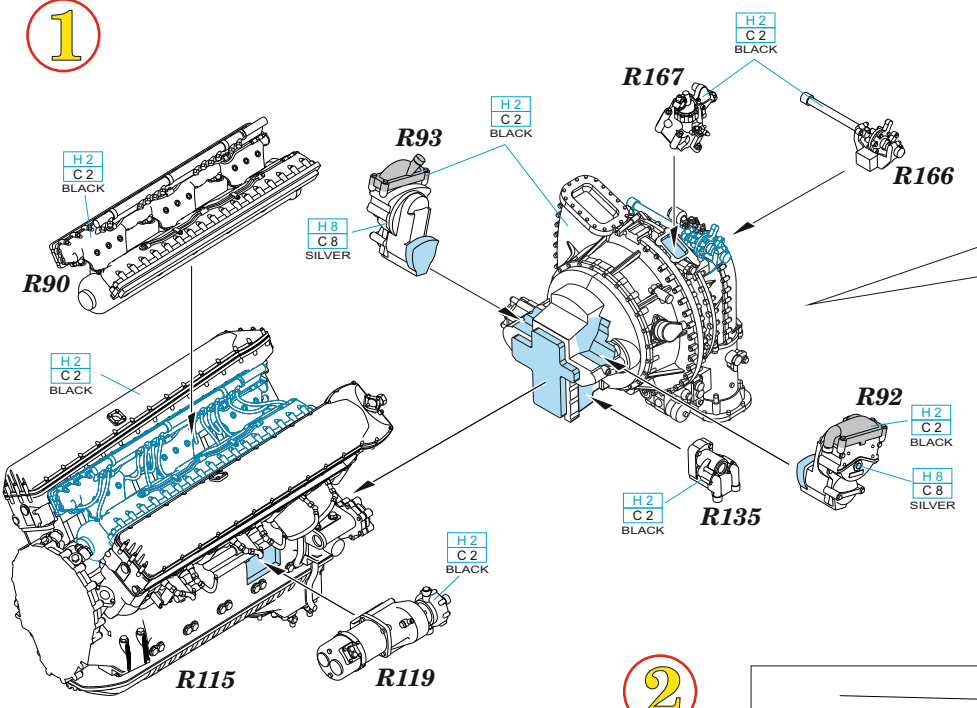
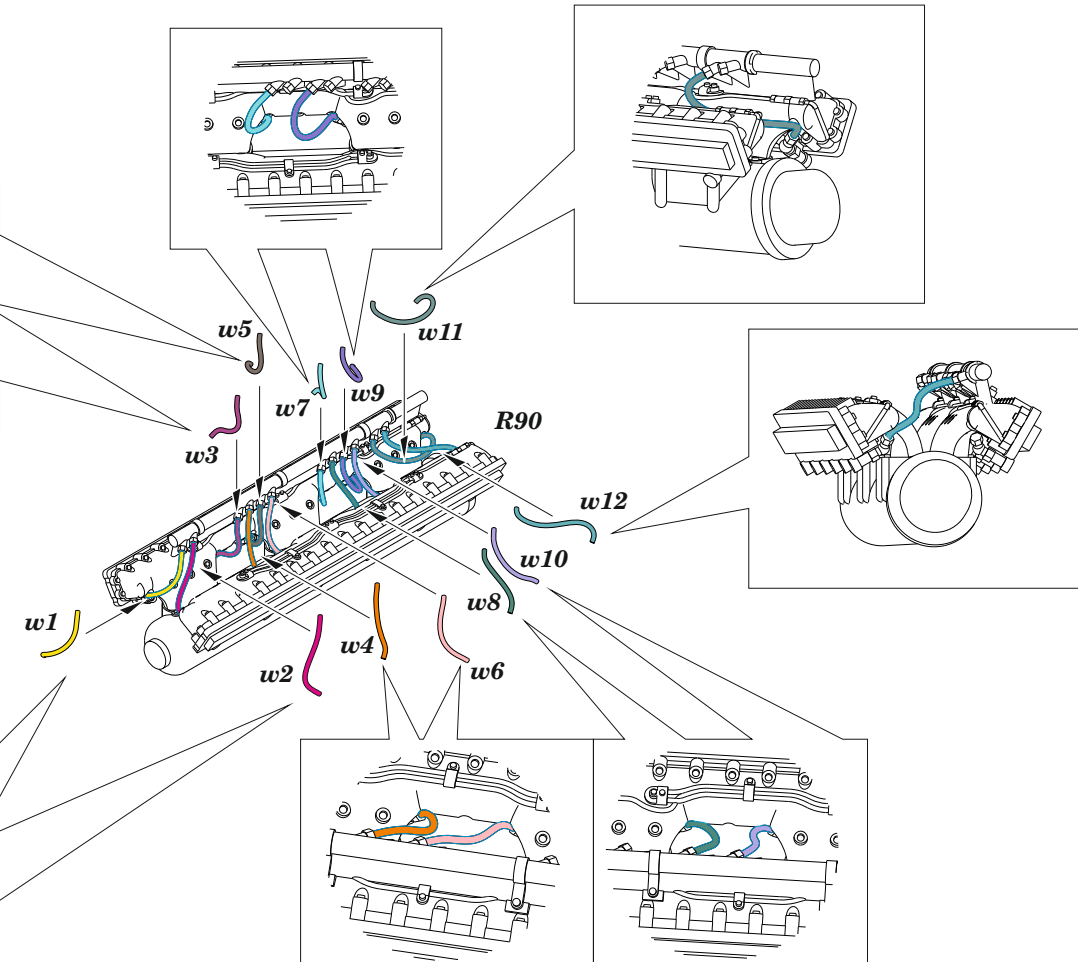
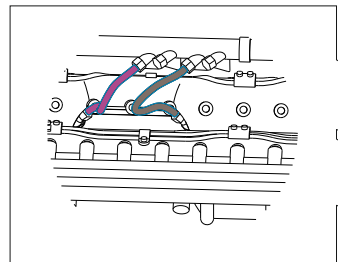


1



- REMOVE ODSTRANIT
- BEND OHNOUT
- GRIND OBROUSIT
- OPTION VOLBA
- DRILL HOLE VRTAT OTVOR
- REPLACE NAHRADIT
- SYMMETRICAL ASSEMBLY SYMETRICKA MONTAZ
- SCRIBE THE PANEL AND HOLES RYTI
- REVERSE SIDE OTOCIT

2

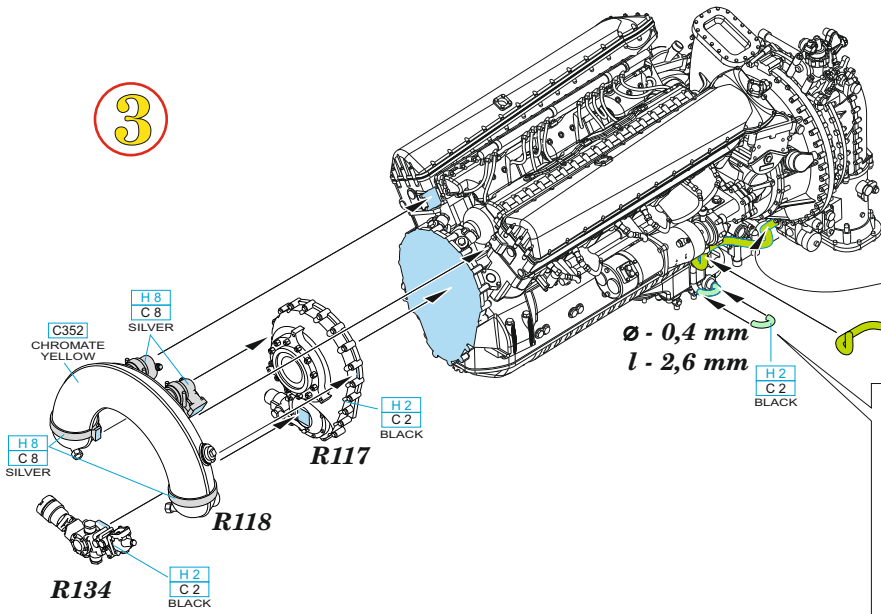


wires \varnothing - 0,2mm

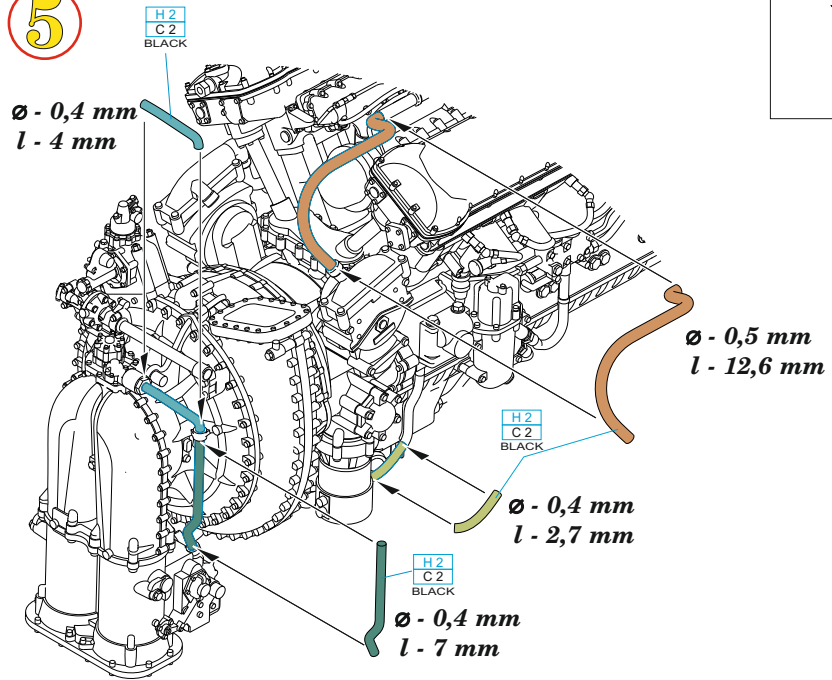
H12 C33 FLAT BLACK

w1	l - 4,2 mm	w7	l - 3,5 mm
w2	l - 4,7 mm	w8	l - 3,6 mm
w3	l - 3,4 mm	w9	l - 4 mm
w4	l - 4 mm	w10	l - 4 mm
w5	l - 4,5 mm	w11	l - 5,7 mm
w6	l - 4 mm	w12	l - 5,3 mm

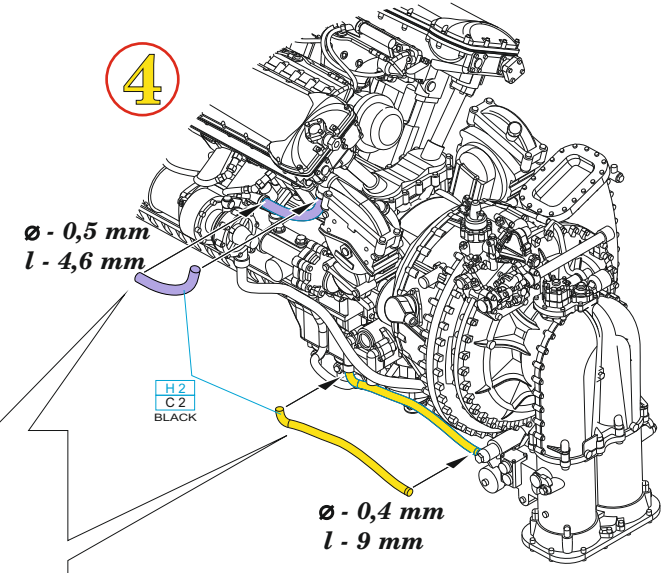
3



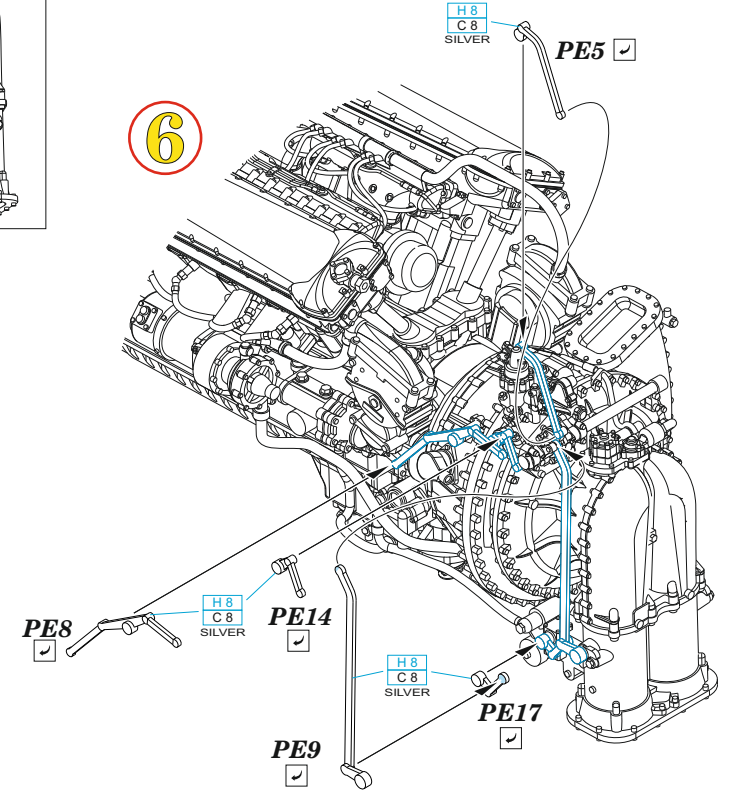
5

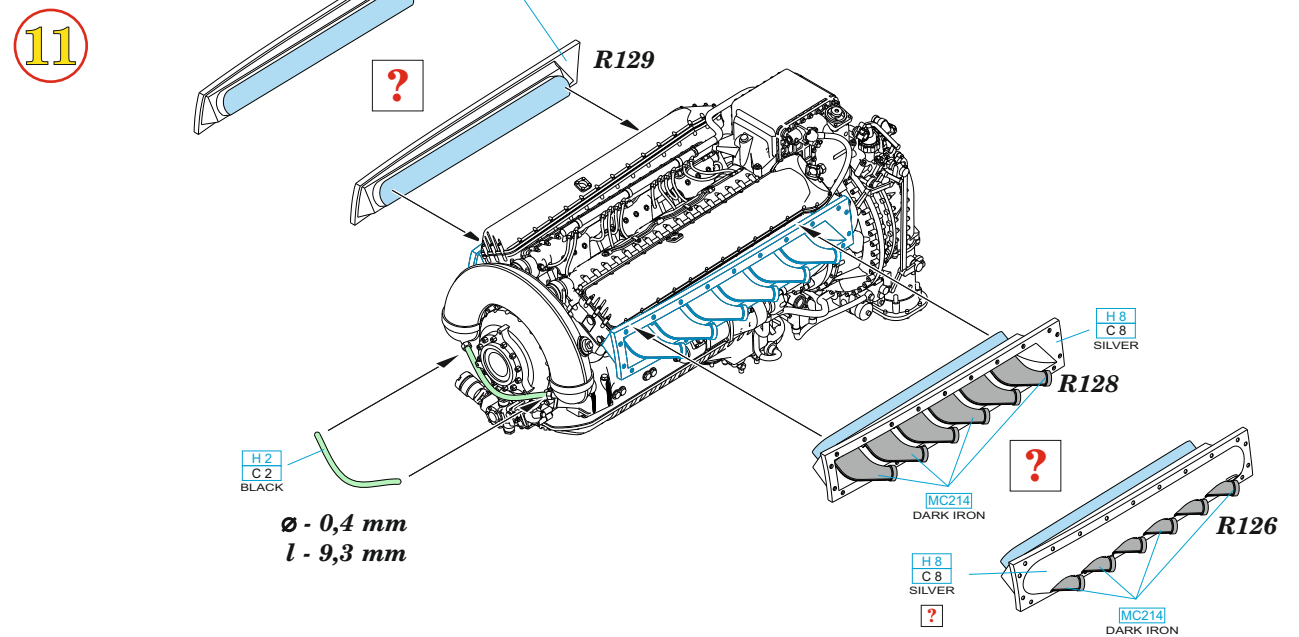
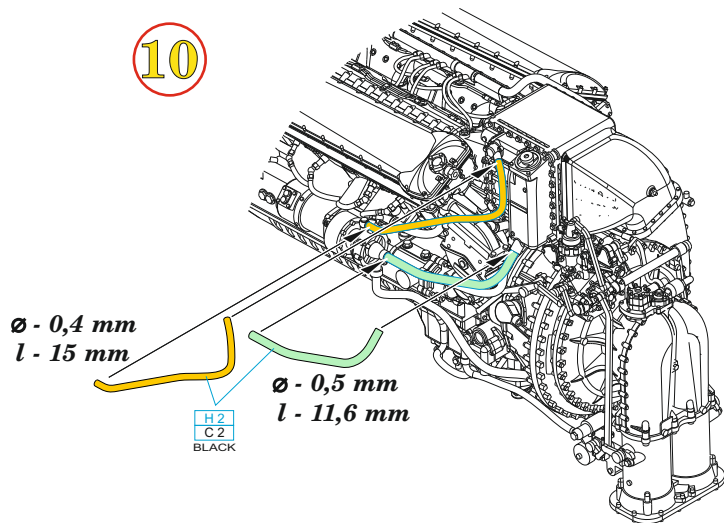
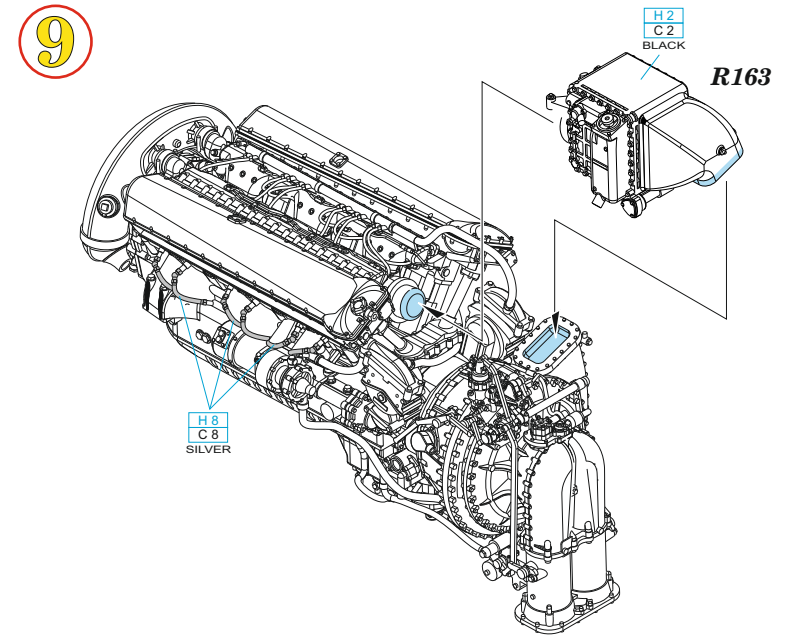
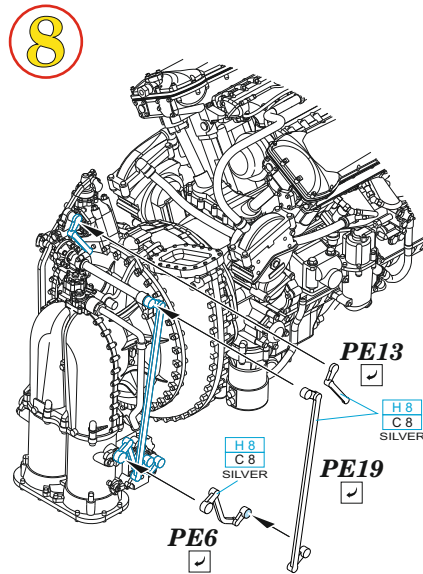
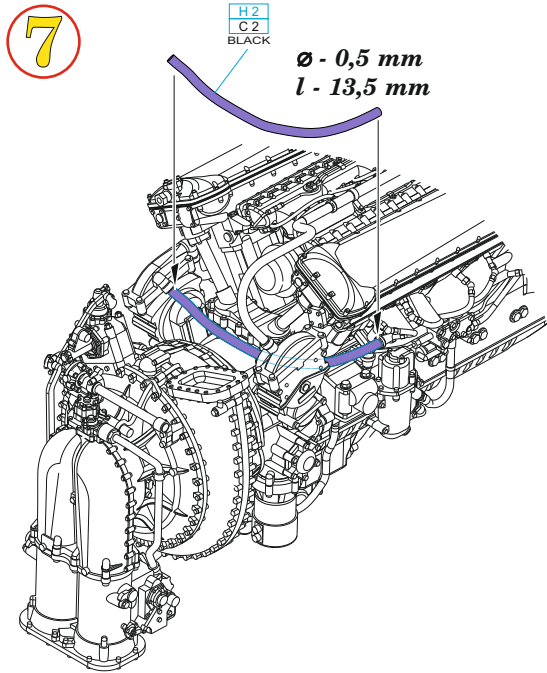


4

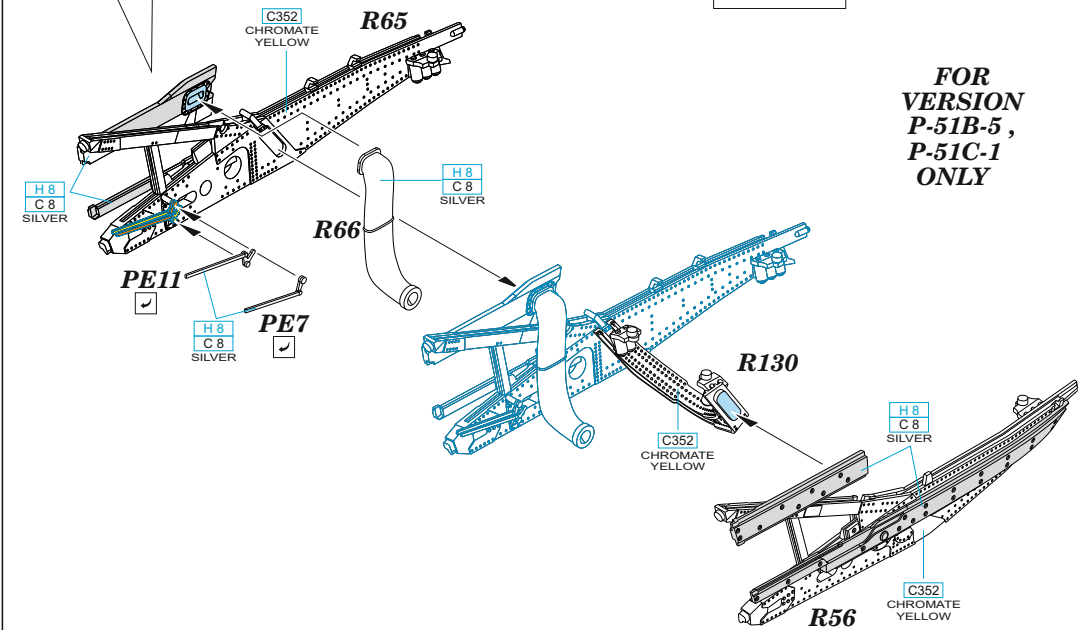
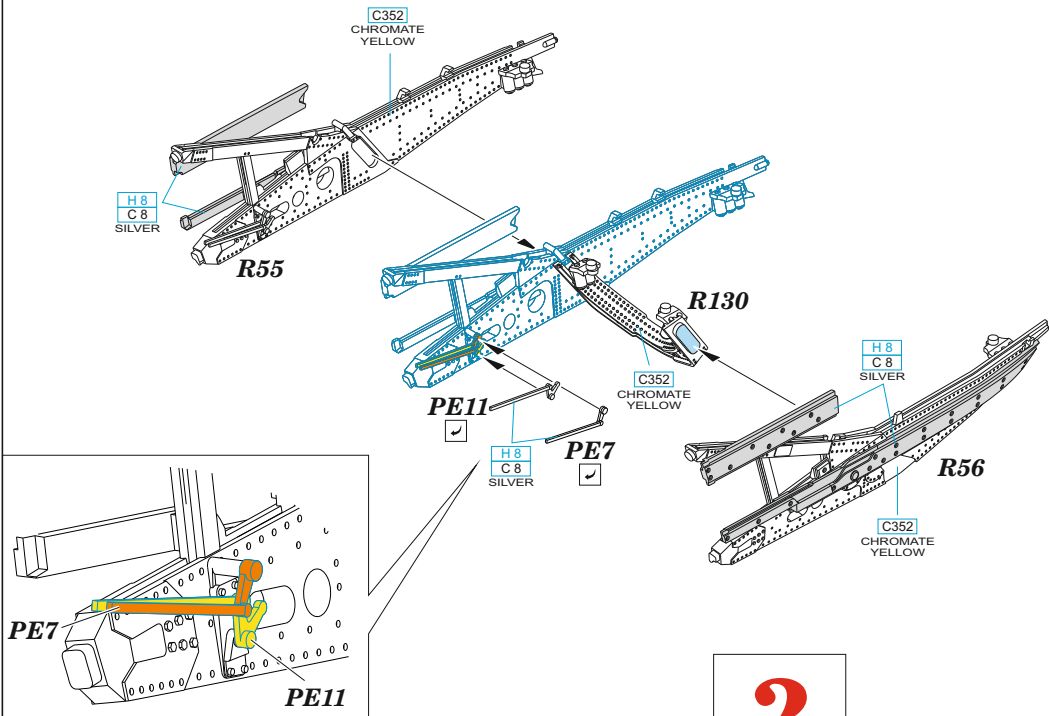


6



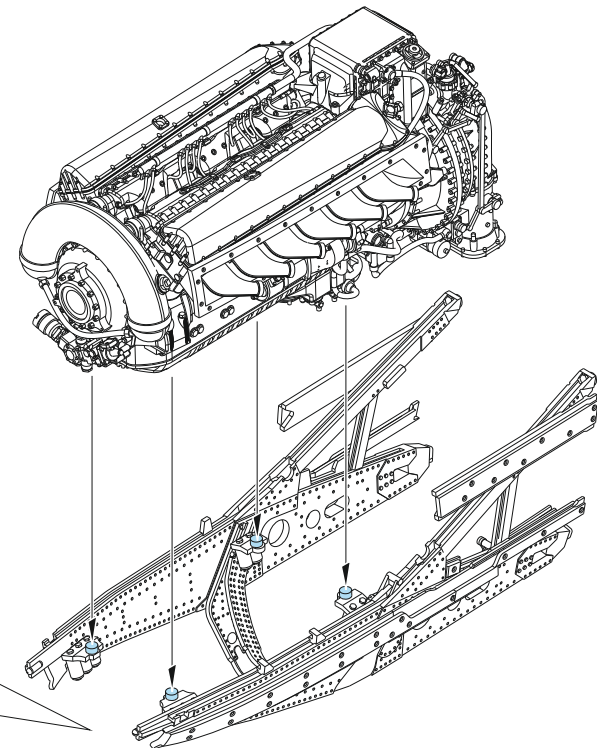


CAMOUFLAGE COLOR

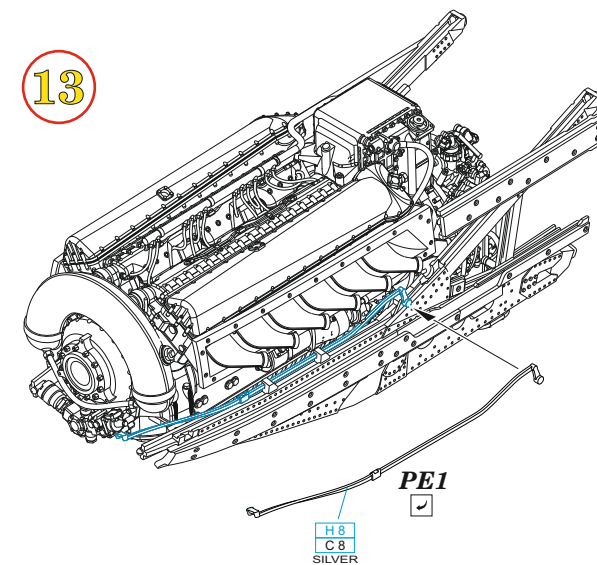


**FOR
VERSION
P-51B-5,
P-51C-1
ONLY**

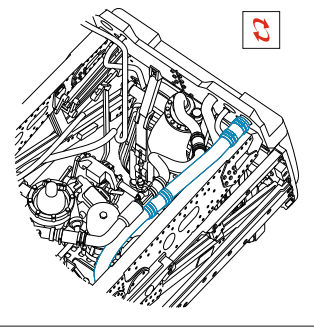
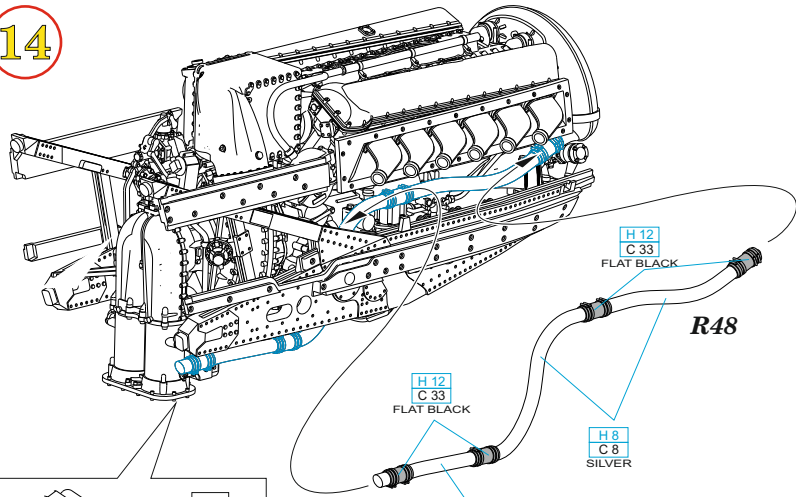
12



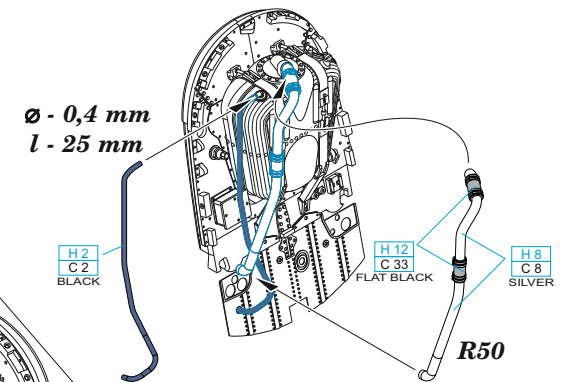
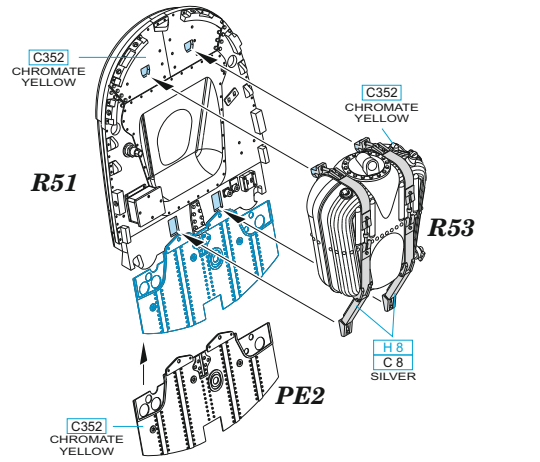
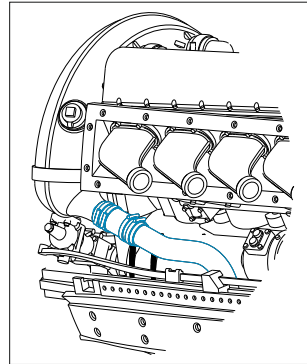
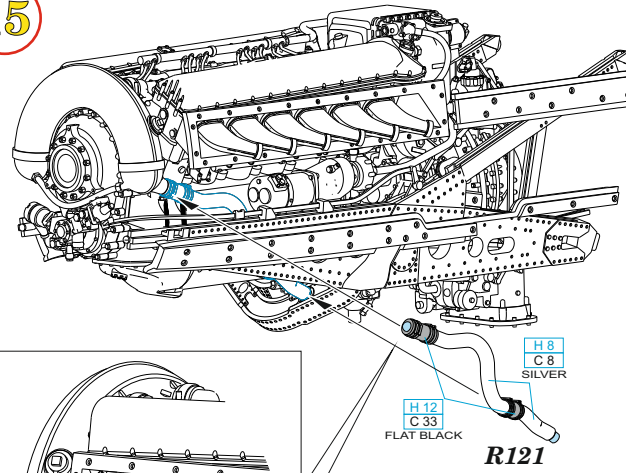
13



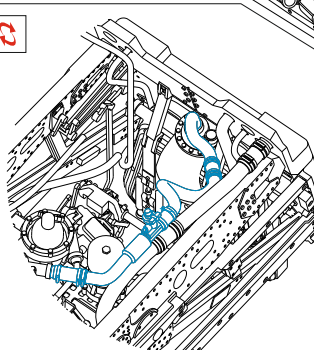
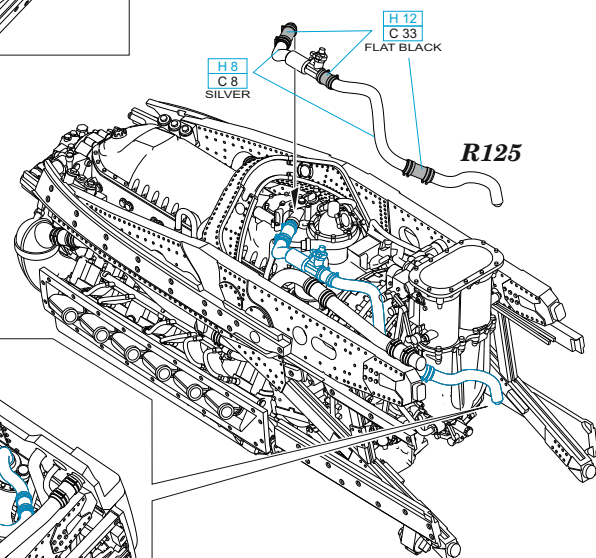
14



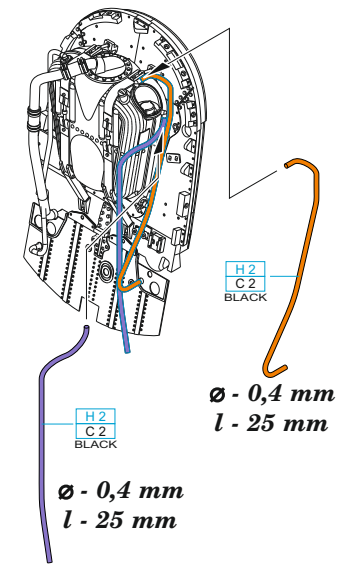
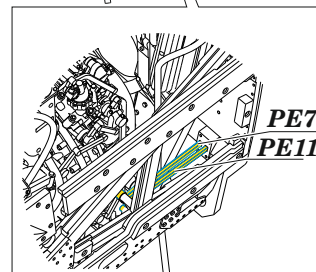
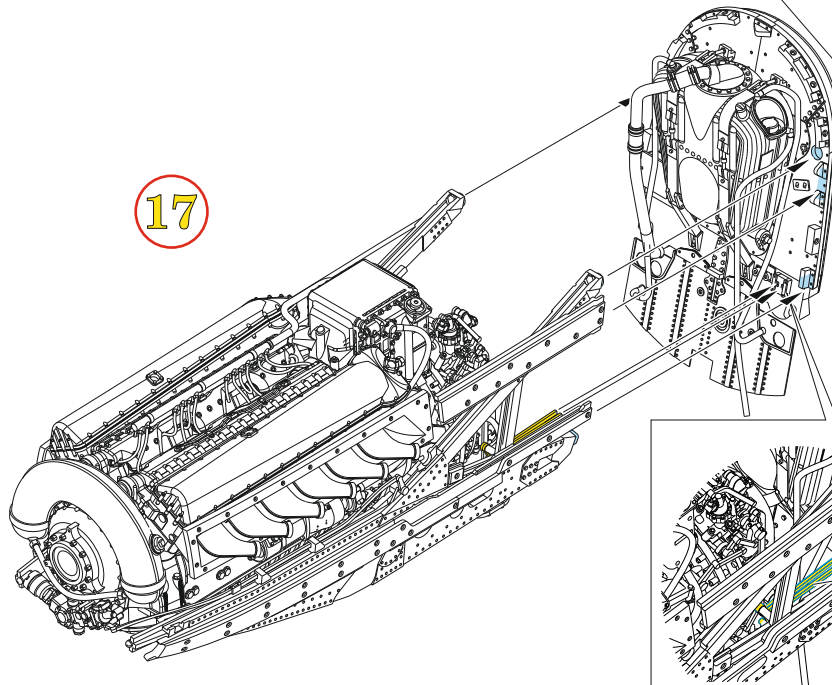
15



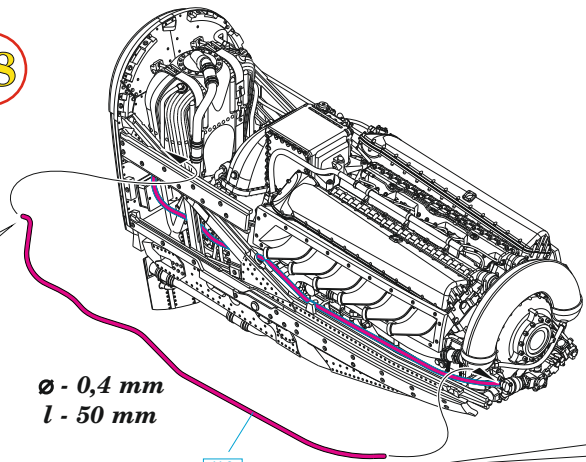
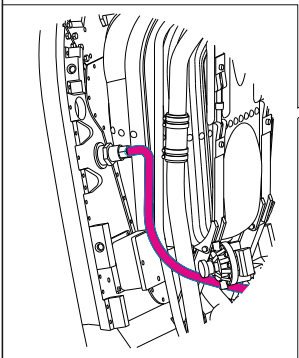
16



17

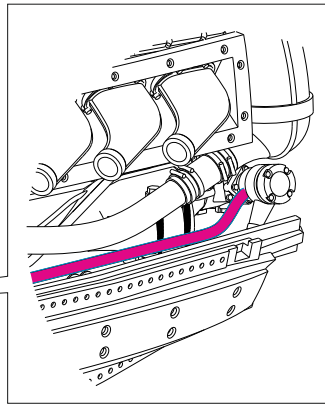


18

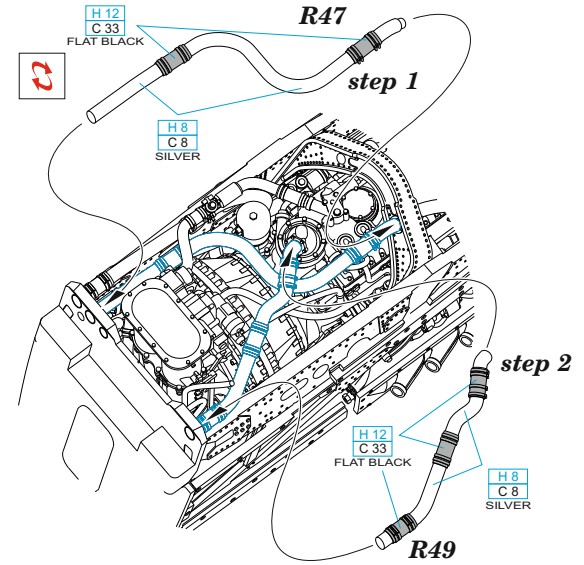


Ø - 0,4 mm
l - 50 mm

H8
C8
SILVER



19



step 1

step 2

H12
C33
FLAT BLACK

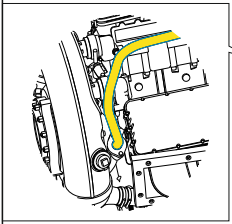
H8
C8
SILVER

H12
C33
FLAT BLACK

H8
C8
SILVER

R49

20

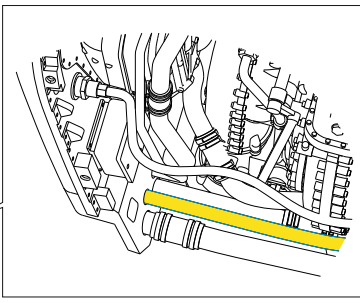


Ø - 0,6 mm
l - 6 mm

H8
C8
SILVER

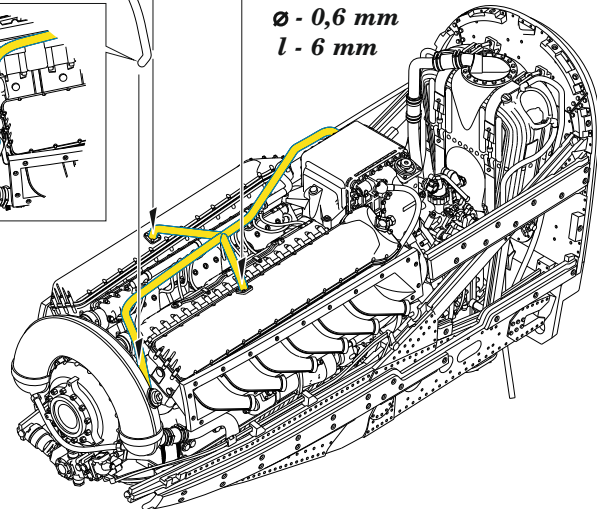


Ø - 0,6 mm
l - 63 mm

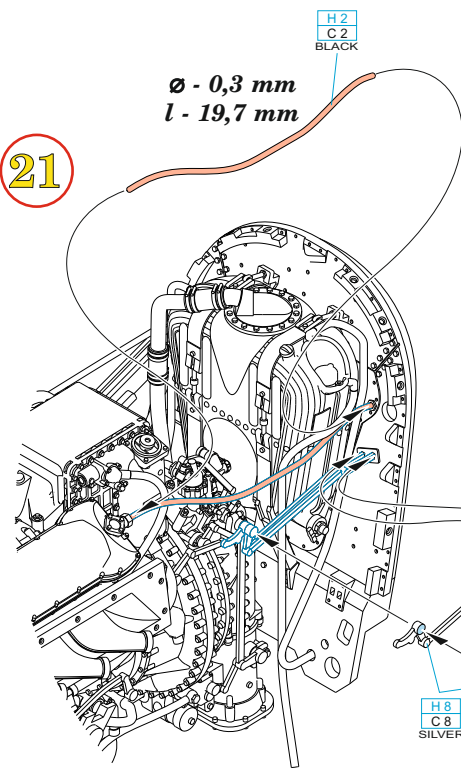


Ø - 0,6 mm
l - 6 mm

H8
C8
SILVER



21



Ø - 0,3 mm
l - 19,7 mm

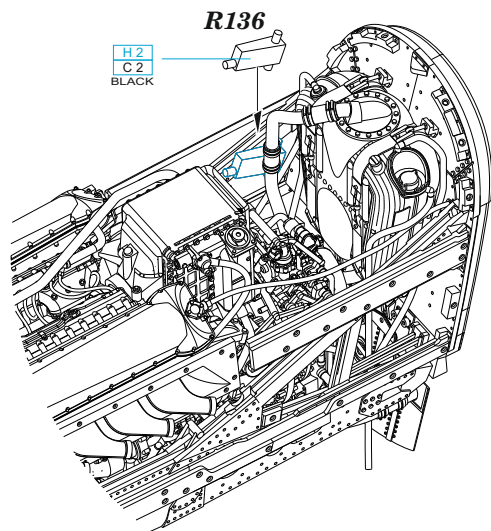
H2
C2
BLACK

PE3

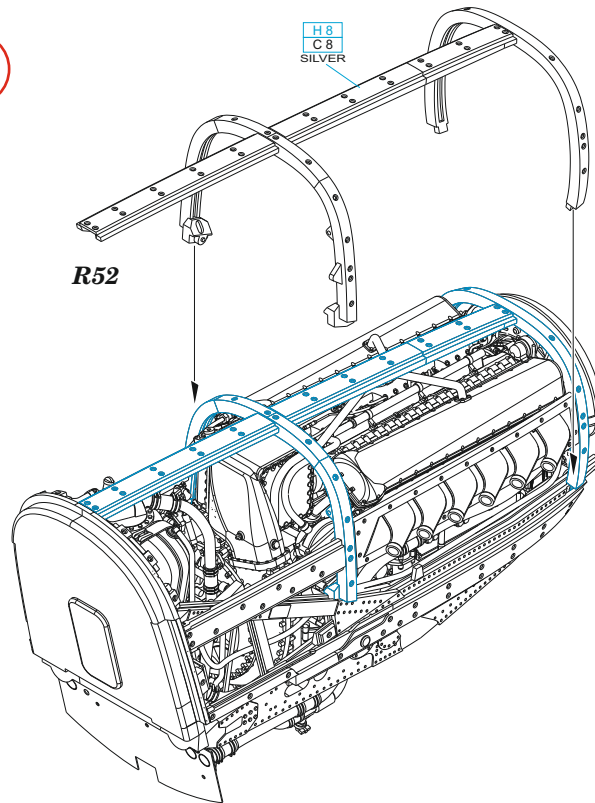
PE4

H8
C8
SILVER

22



23



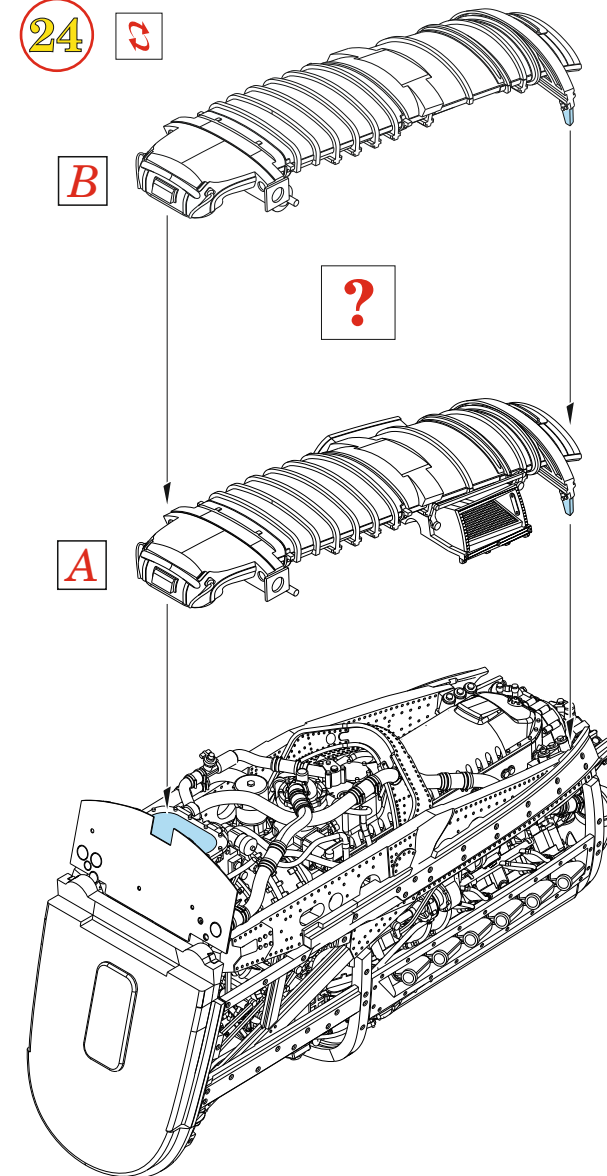
24



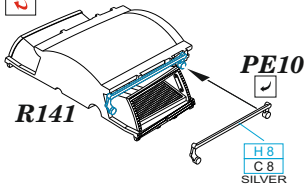
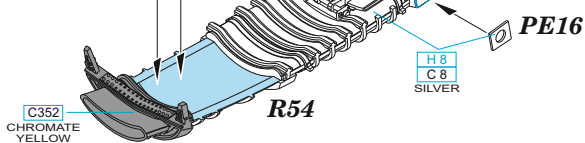
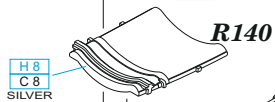
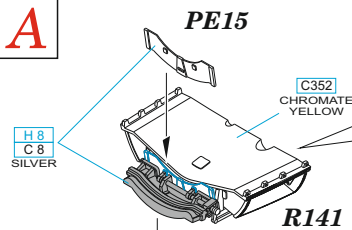
B



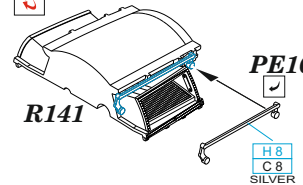
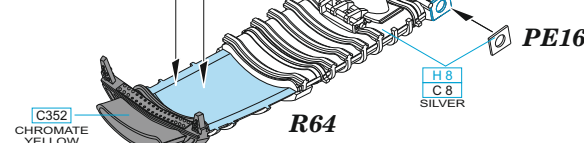
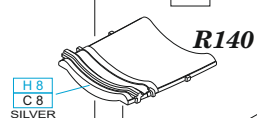
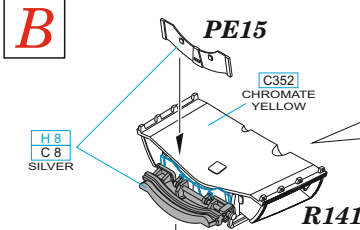
A



A

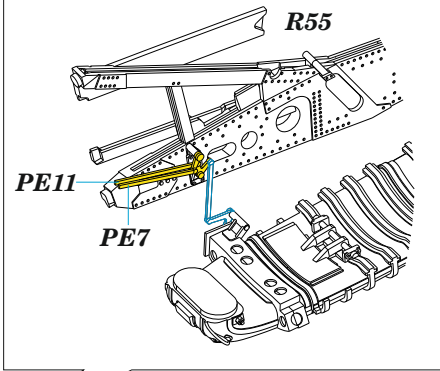
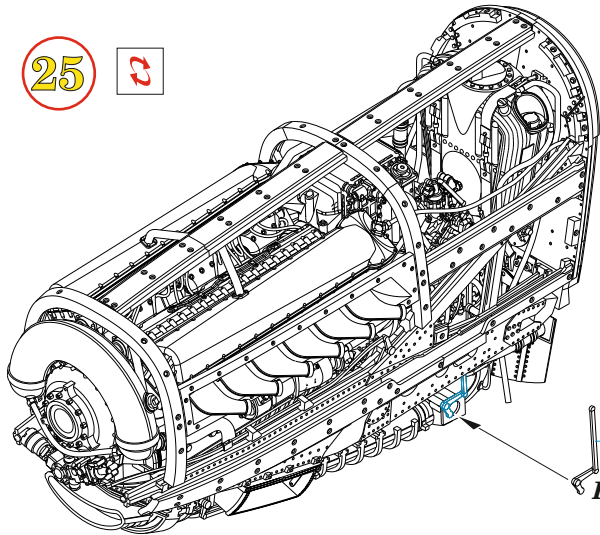


B



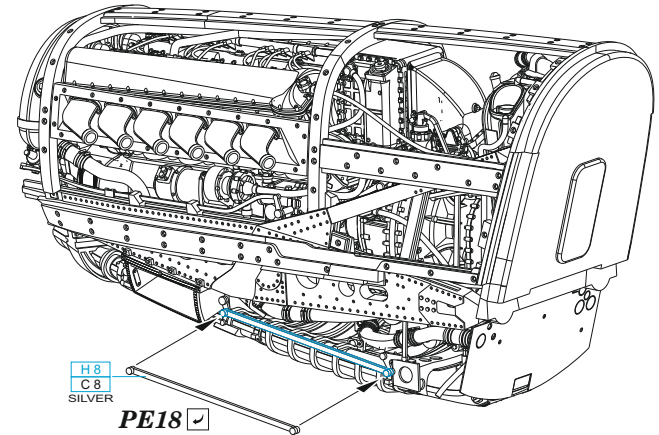
FOR P-51B-5, P-51C-1 ONLY

25



H8
C8
SILVER
PE12

26

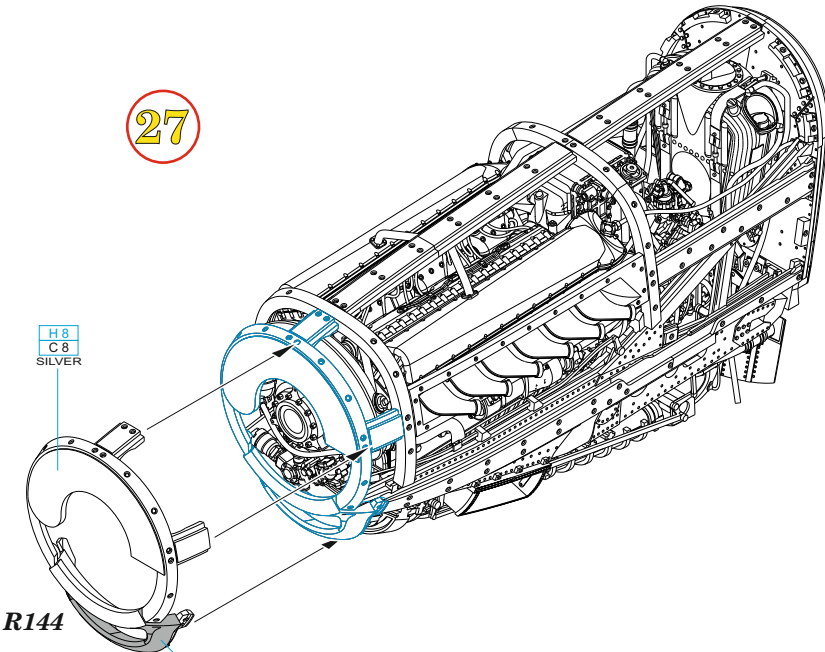


H8
C8
SILVER

PE18

PE18 with parts R141 + PE15 + PE10 only

27

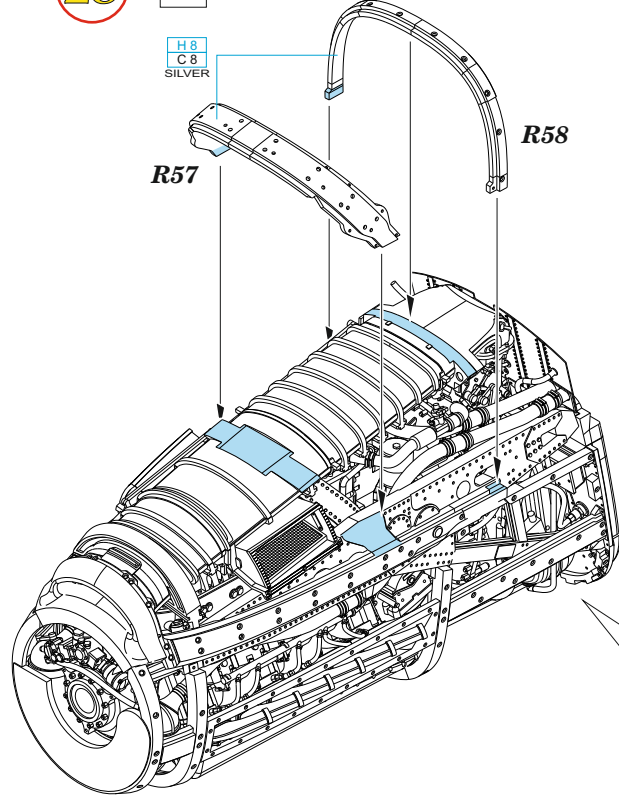


H8
C8
SILVER

R144

CAMOUFLAGE COLOR

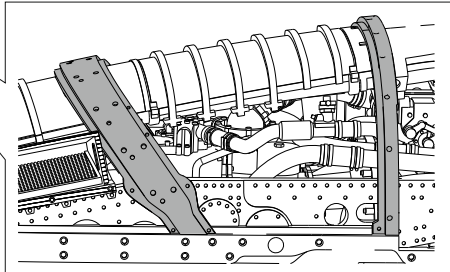
28



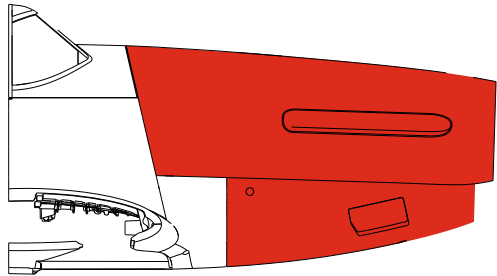
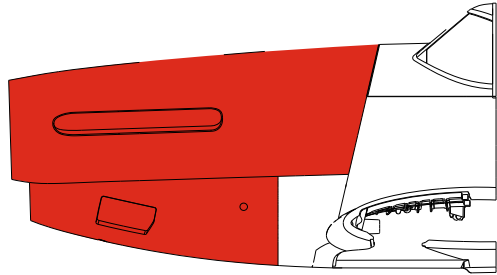
H8
C8
SILVER

R57

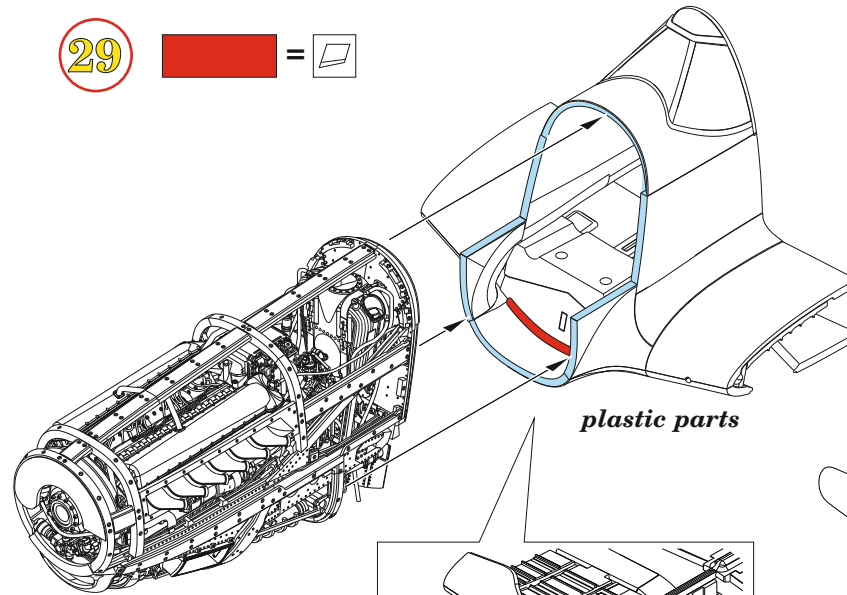
R58



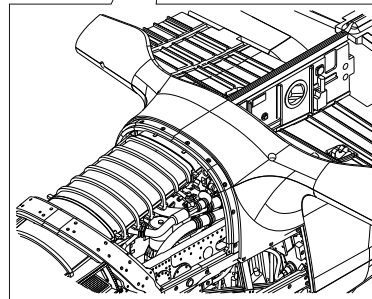
 =  plastic parts



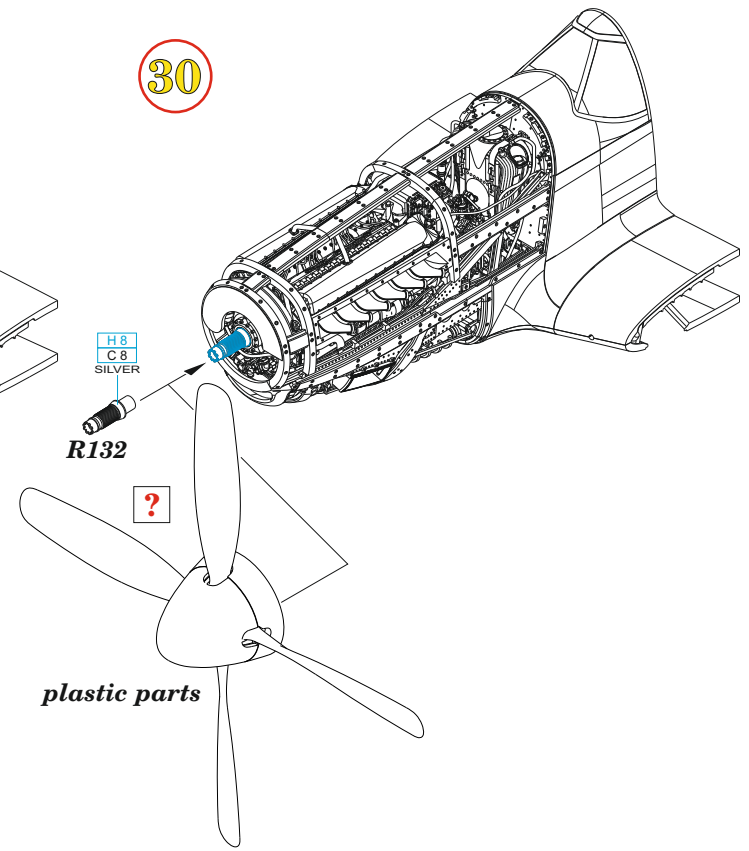
29  = 



plastic parts



30

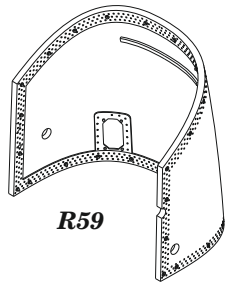


H 8
C 8
SILVER

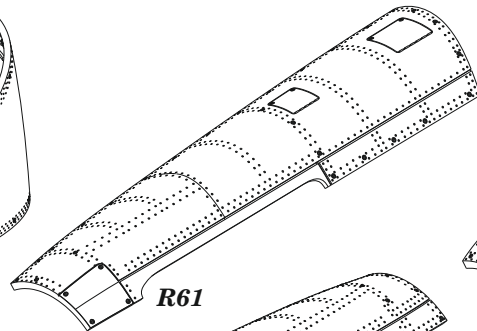
R132

?

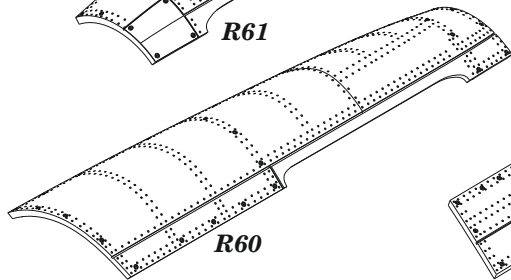
plastic parts



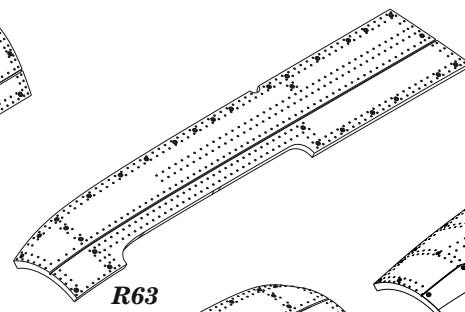
R59



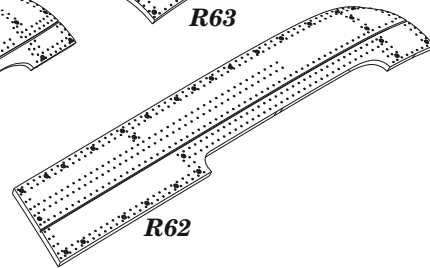
R61



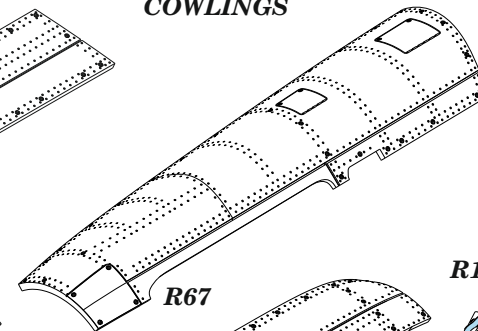
R60



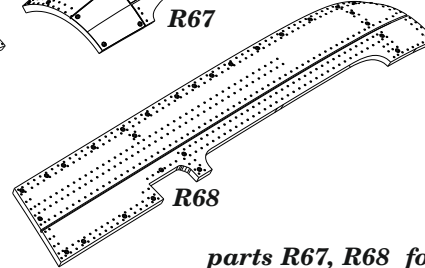
R63



R62



R67



R68

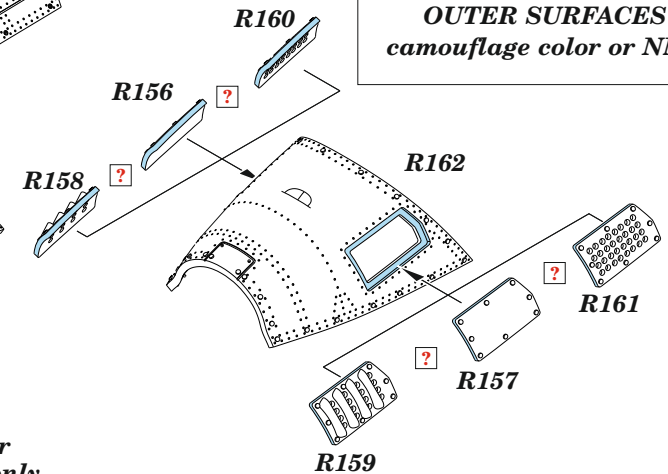
COWLINGS

parts R67, R68 for
P-51B-5 & P-51C-1 only

INNER SURFACES

C352
CHROMATE
YELLOW

OUTER SURFACES
camouflage color or NMF



R160

R156

R158

R162

R159

R157

R161