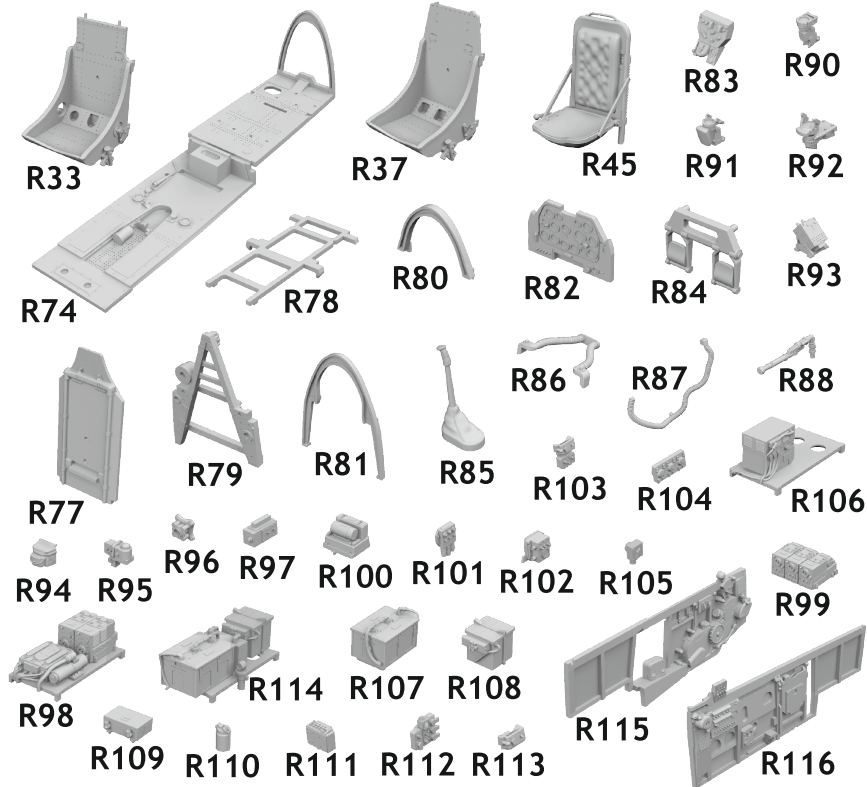


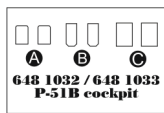
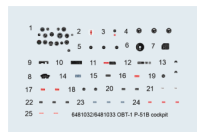
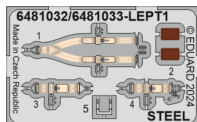
648 1033 P-51B Birdcage canopy cockpit

for Eduard kit - pro stavebnici Eduard



eduard
BRASSIN
Print

1/48 scale



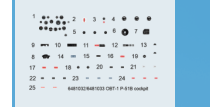
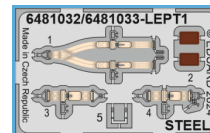
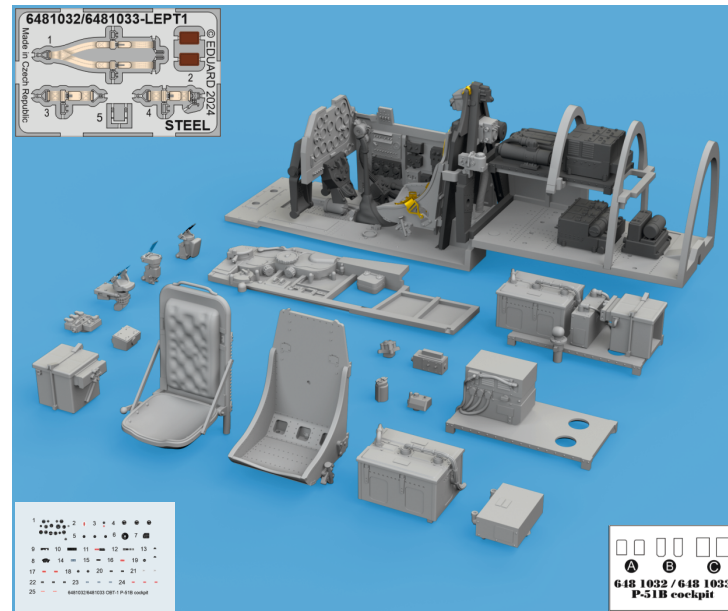
648 1033

P-51B Birdcage canopy cockpit

for Eduard kit - pro stavebnici Eduard

1/48

BRASSIN



BRASSIN

eduard

COLOURS

GSI Creos (GUNZE)		
AQUEOUS	Mr.COLOR	
[H 3]	[C 3]	RED
[H 8]	[C 8]	SILVER
[H 12]	[C 33]	FLAT BLACK
[H 27]	[C 44]	TAN
[H 52]	[C 12]	OLIVE DRAB
[H 58]	[C35]	INTERIOR GREEN

GSI Creos (GUNZE)		
AQUEOUS	Mr.COLOR	
[H 85]	[C 45]	SAIL COLOR
	[C 92]	SEMI GLOSS BLACK

Mr.METAL COLOR	
[SM201]	SUPER FINE SILVER 2

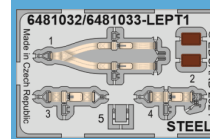
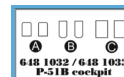
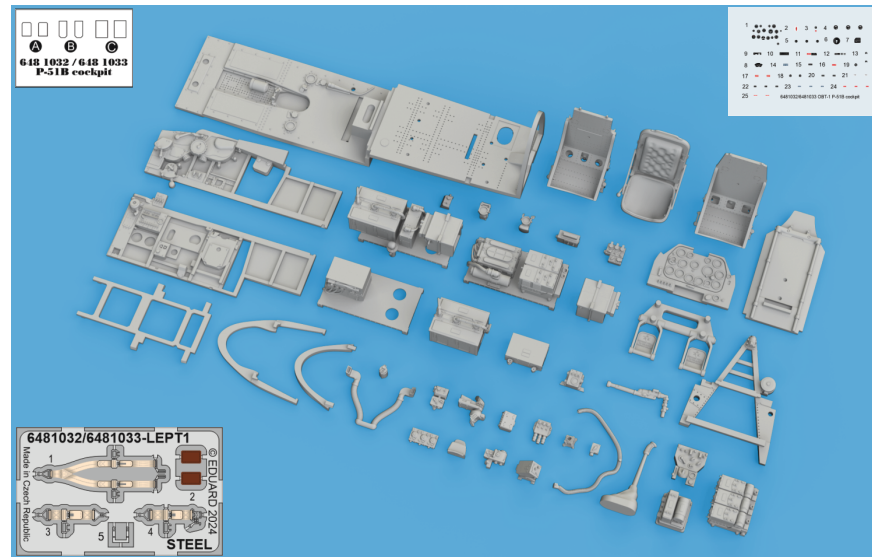
This product contains metal and resin detail parts for upgrading scale plastic models. When selecting this set make sure that it is for the kit mentioned in product name as these sets are made specifically for that kit. When upgrading the model some cutting or corrections may be necessary for parts to fit accurately. WARNING! This set contains small and sharp parts. Work carefully in a ventilated and well-lit room. Safety glasses are recommended. This product is not suitable for children below 14 years of age.

Tento výrobek obsahuje leptané a odlévané detaily pro úpravu a vylepšení plastického modelu. Při výběru sady kovových detailů zkontrolujte, zda je určena pro model, který chcete upravit. Model, pro který je sada určena, je uveden u názvu výrobku. Pro přesnou aplikaci kovových a odlévaných dílů může být zapotřebí upravit díly upraveného modelu. POZOR! Sada obsahuje malé ostré díly. Pracujte ve větrané a dobře osvětlené místnosti. Doporučujeme použití ochranných brýlí. Tento výrobek není vhodný pro děti mladší 14 let.

eduard
435 21 Obrnice 170
Czech Republic
www.eduard.com



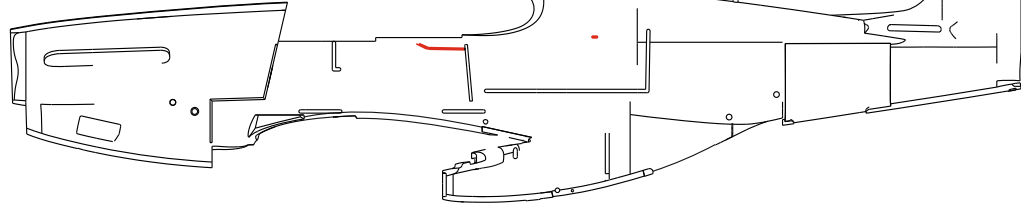
www.eduard.com
44,95



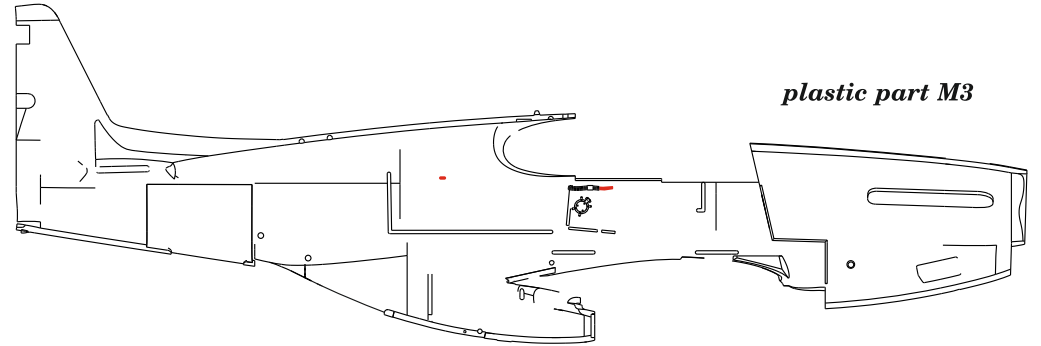
BEST BRASS RESIN AROUND!



plastic part M1

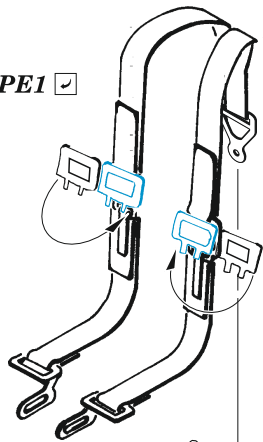
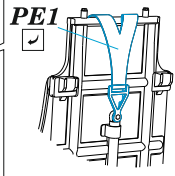


plastic part M3



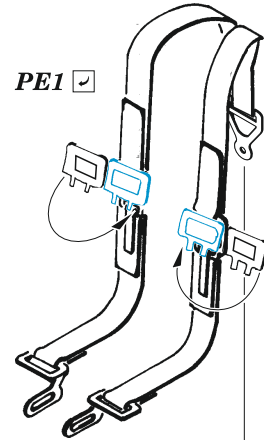
A

PE1



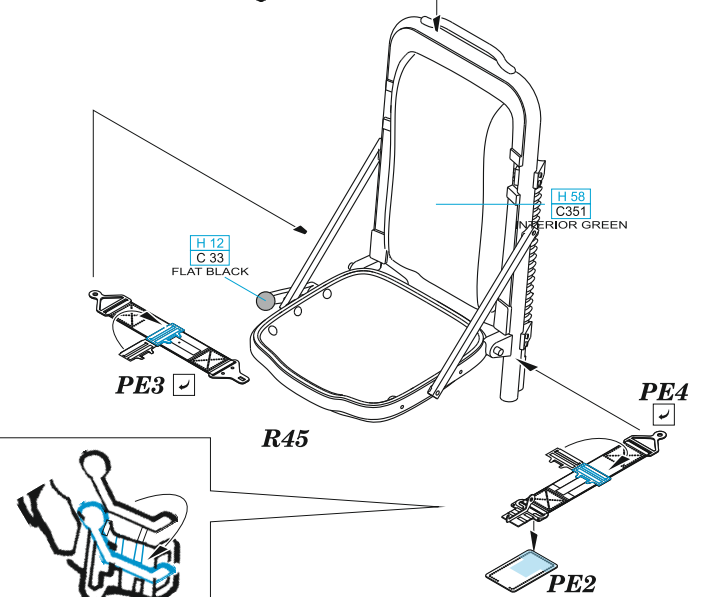
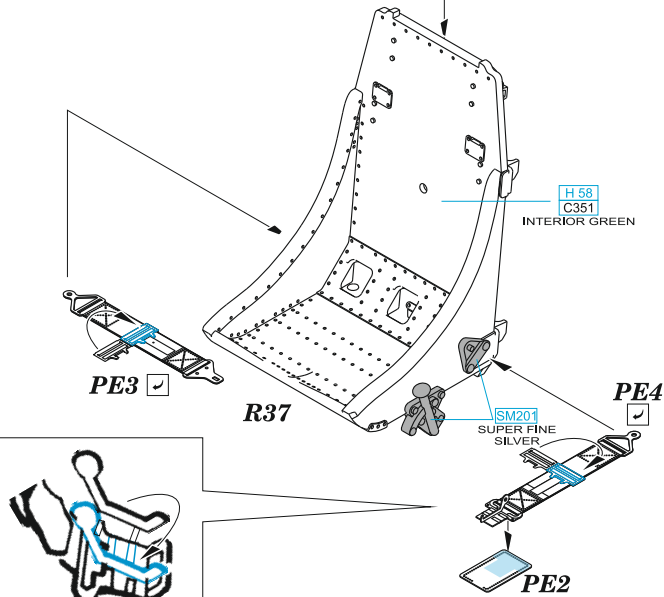
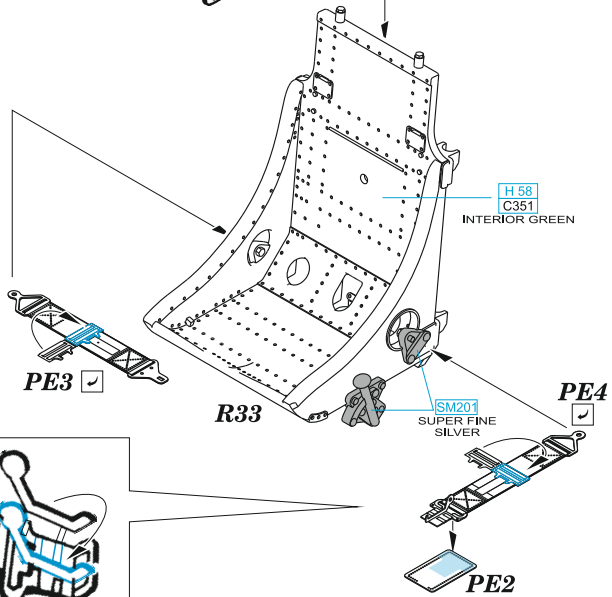
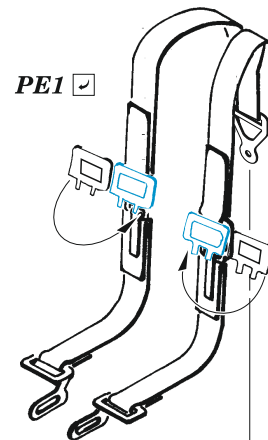
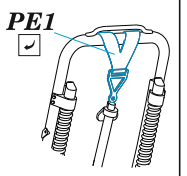
B

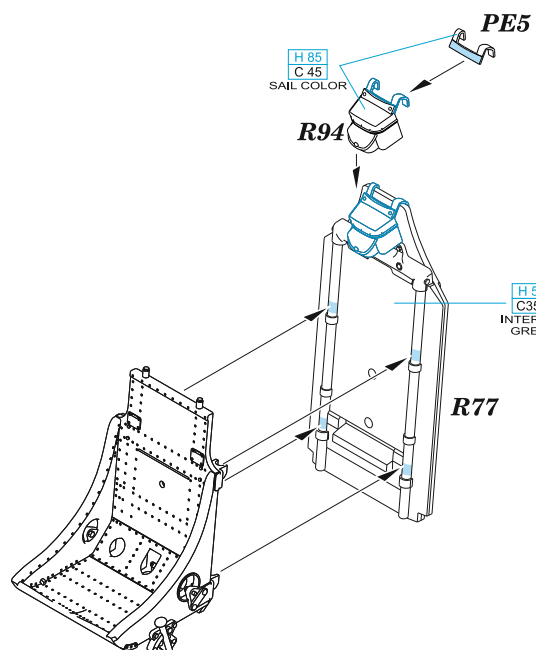
PE1



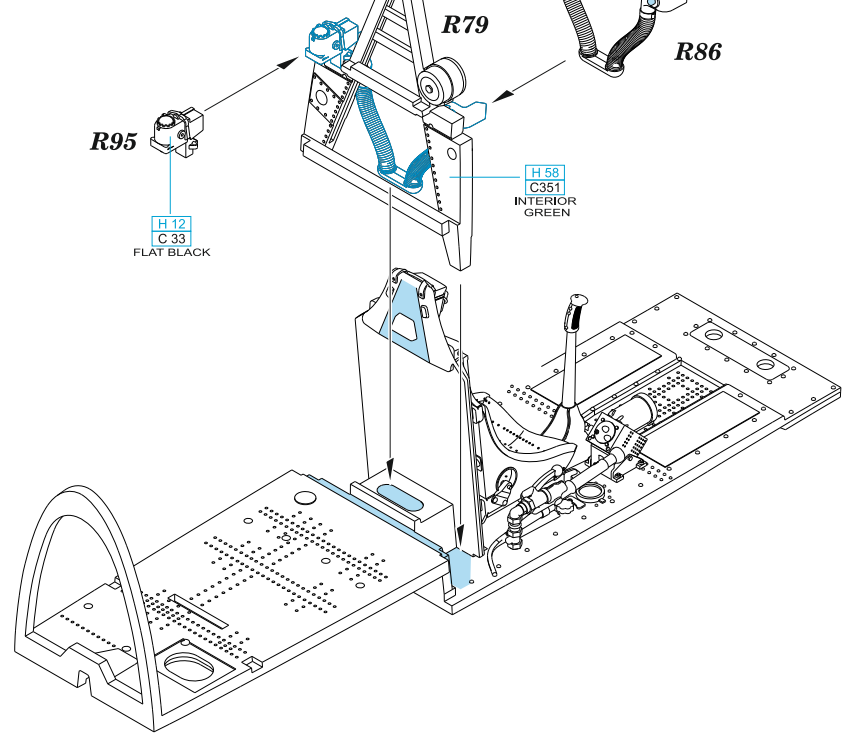
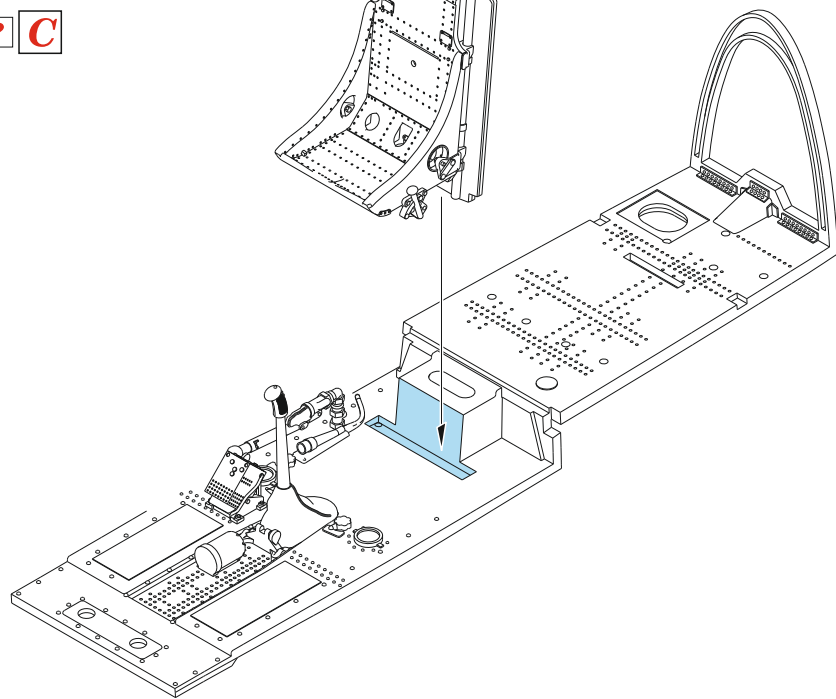
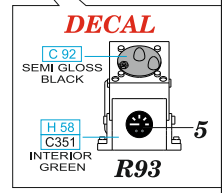
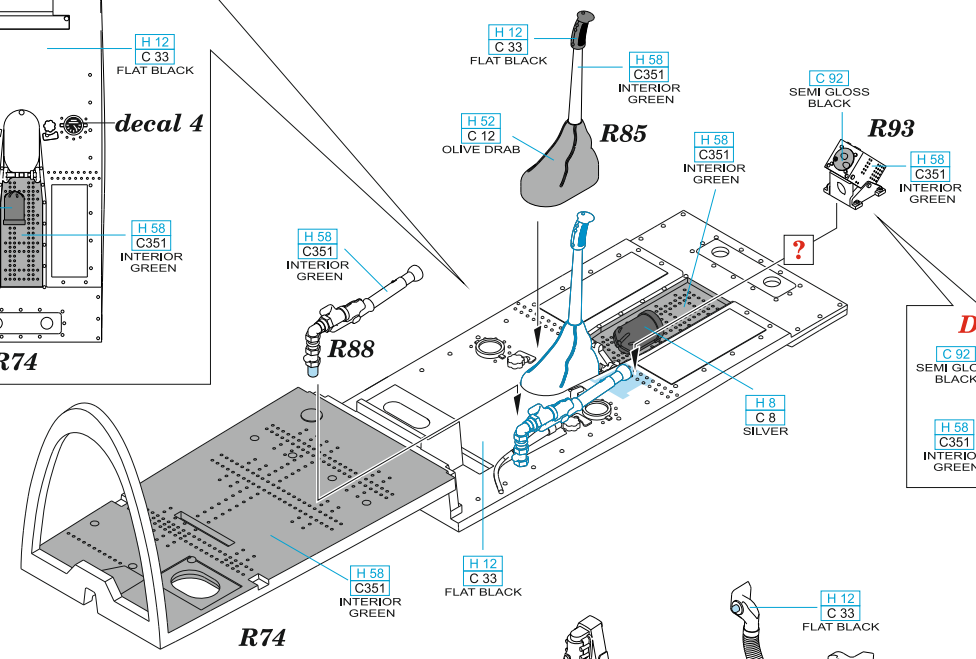
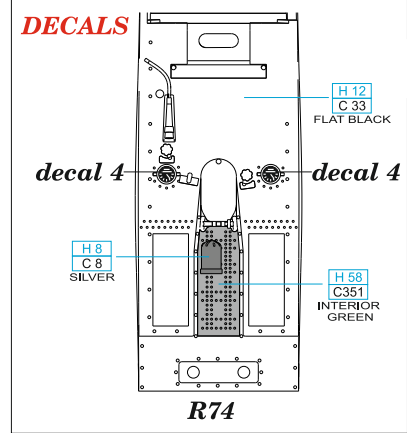
C

PE1





A ? B ? C



SCR-274 RADIO INSTALLATION
EARLY AND RARE VERSION

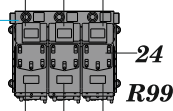
D

1

DECALS

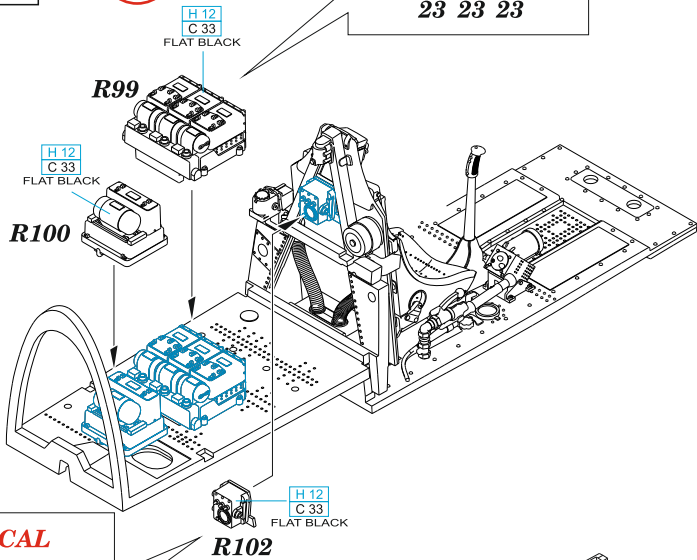
22 22 22

H 12
C 33
FLAT BLACK

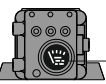


23 23 23

R99



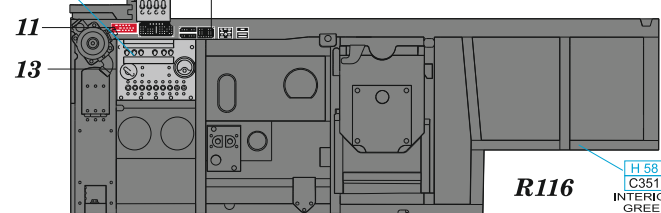
DECAL



R102

3

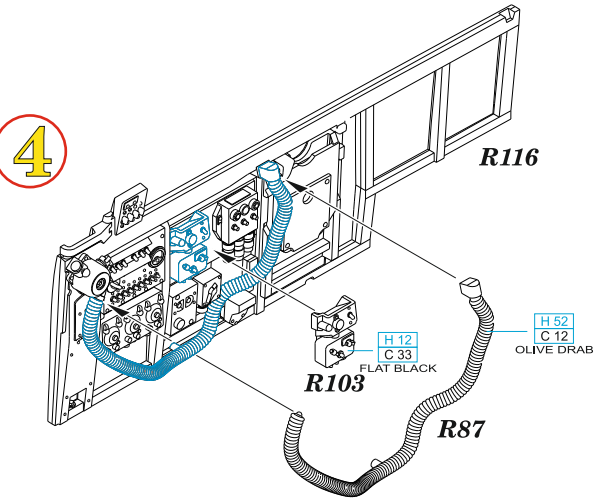
DECALS



R116

H 58
C 351
INTERIOR GREEN

4



R103

H 12
C 33
FLAT BLACK

H 52
C 12
OLIVE DRAB

R87

R116

R116

R78

R98

H 27
C 44
TAN

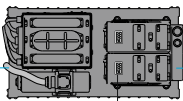
H 12
C 33
FLAT BLACK

R80

R81

DECALS

H 27
C 44
TAN



R98 20

H 12
C 33
FLAT BLACK

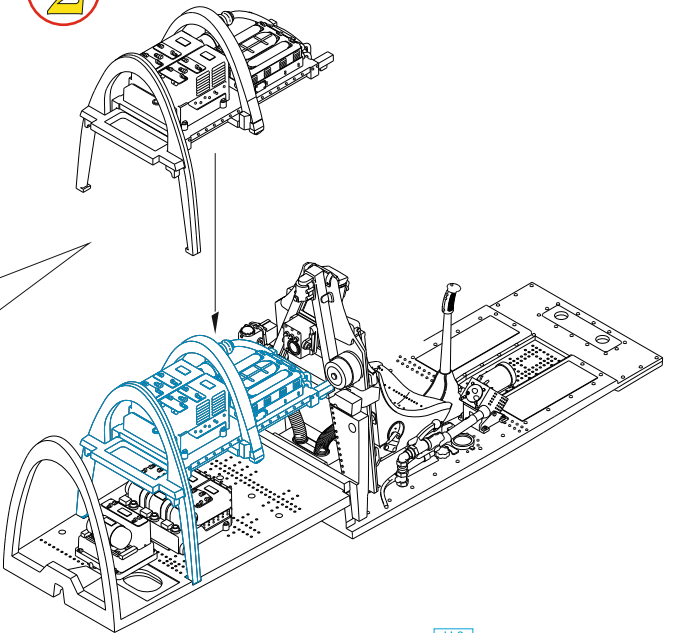
H 12
C 33
FLAT BLACK



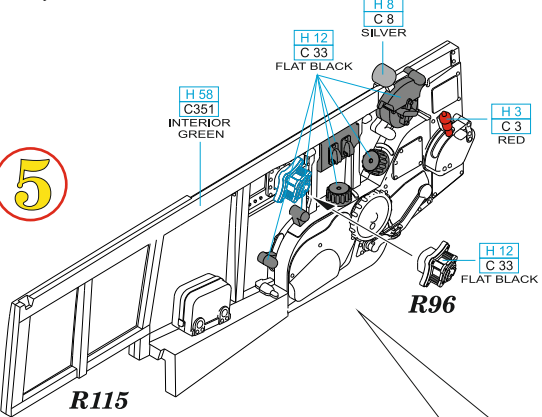
R98 21

H 27
C 44
TAN

2



5



H 8
C 8
SILVER

H 12
C 33
FLAT BLACK

H 58
C 351
INTERIOR GREEN

H 3
C 3
RED

H 12
C 33
FLAT BLACK

R96

R115

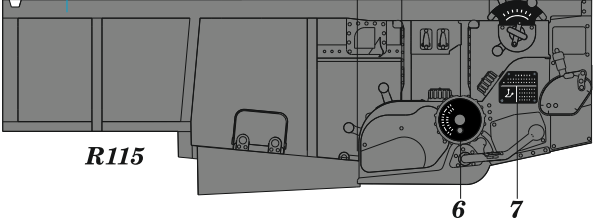
H 58
C 351
INTERIOR GREEN

DECALS

10 9

8

H 8
C 8
SILVER

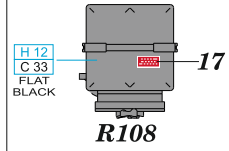


R115

6 7

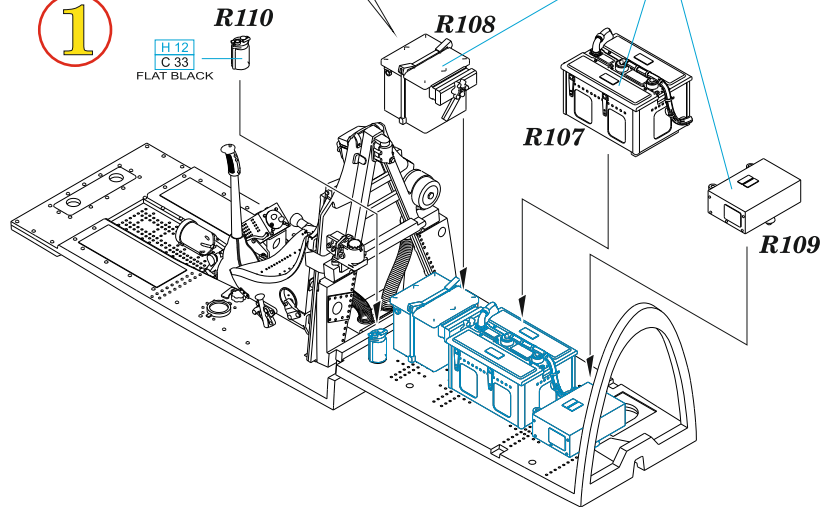
E

DECAL

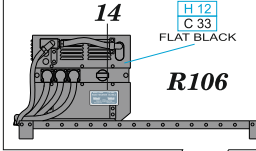


**SCR-522 RADIO INSTALLATION
TRANSMITER / RECIEVER + BATTERY
INSTEAD FUEL TANK VERSION
LATE AND RARE VERSION**

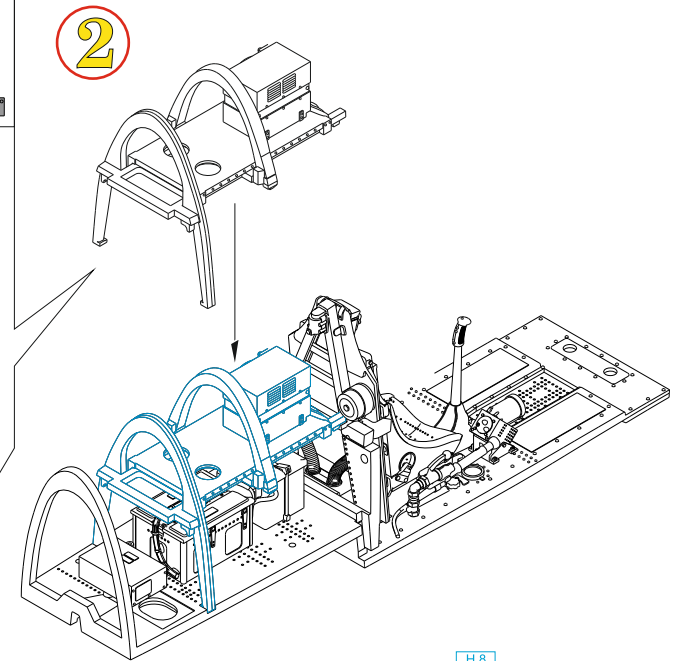
1



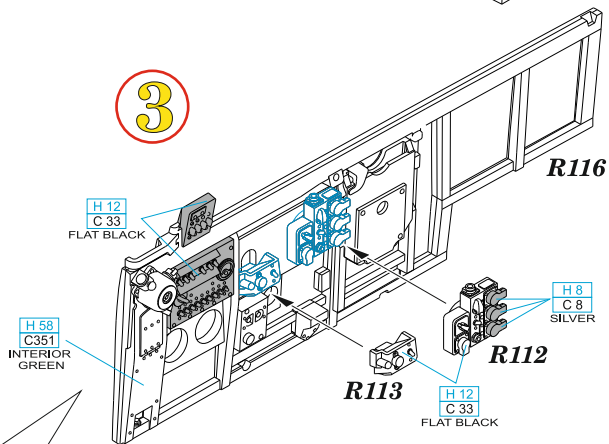
DECAL



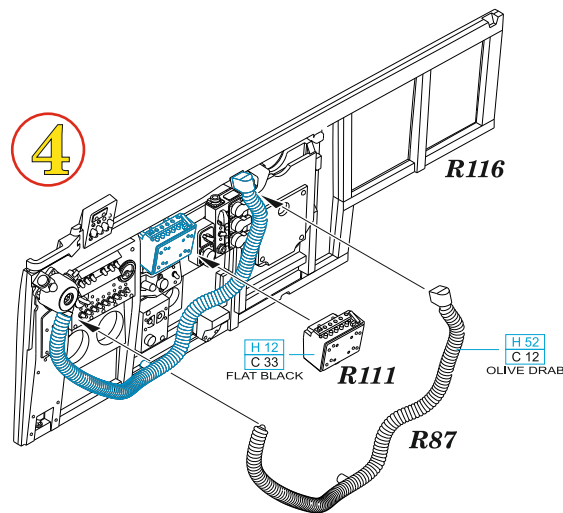
2



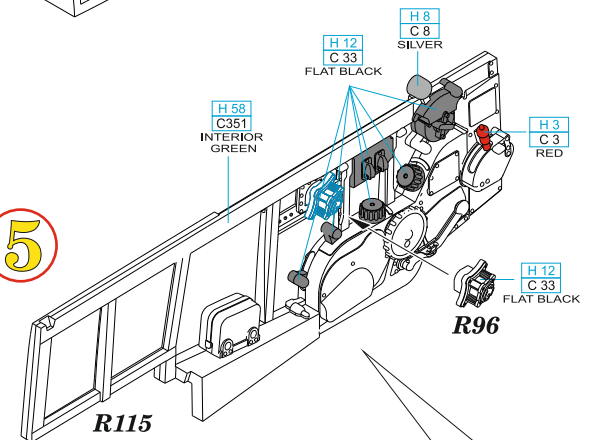
3



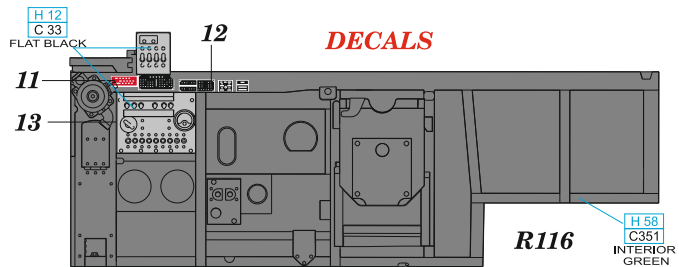
4



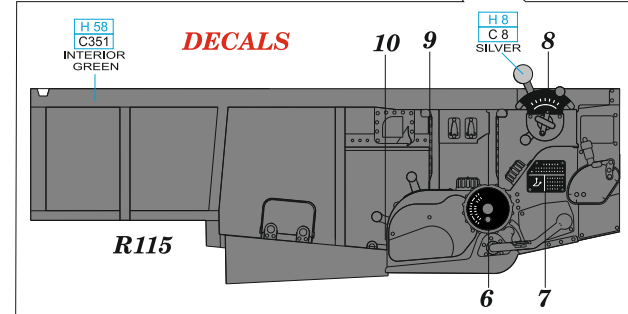
5

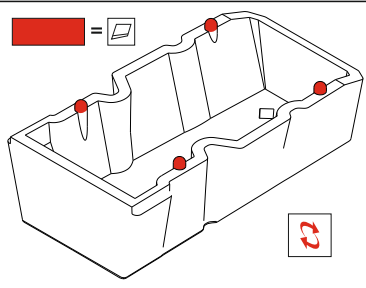


DECALS

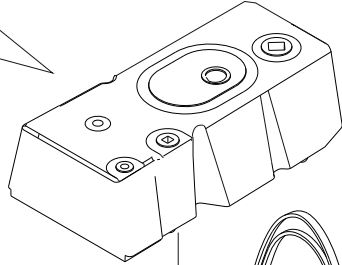


DECALS



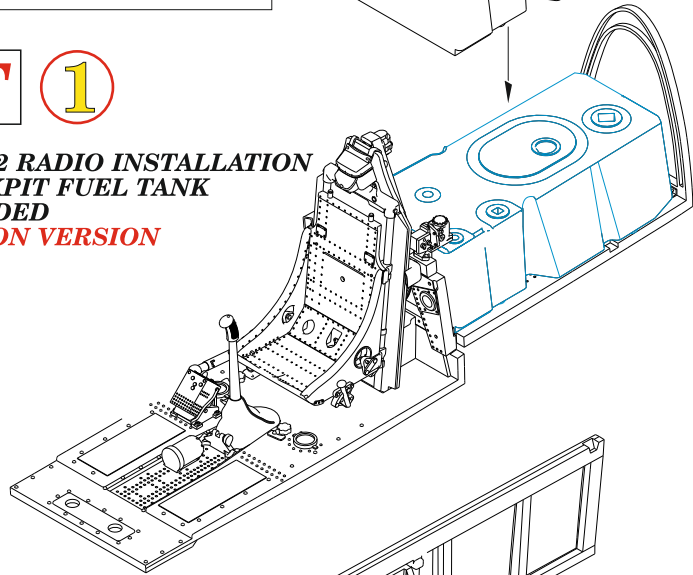


plastic part P35

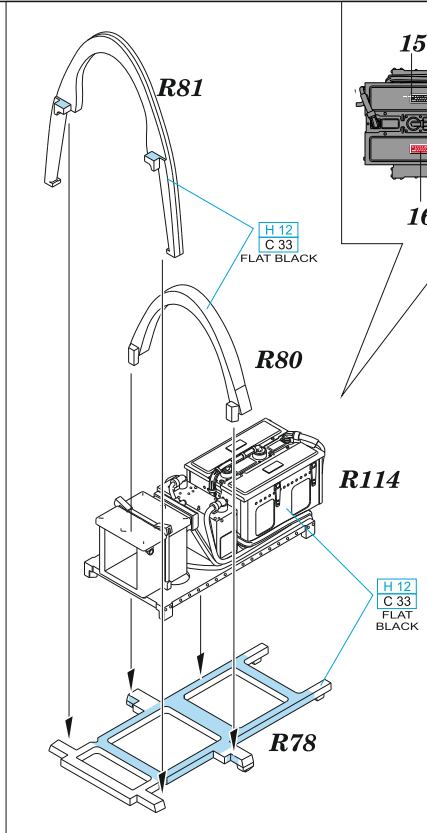
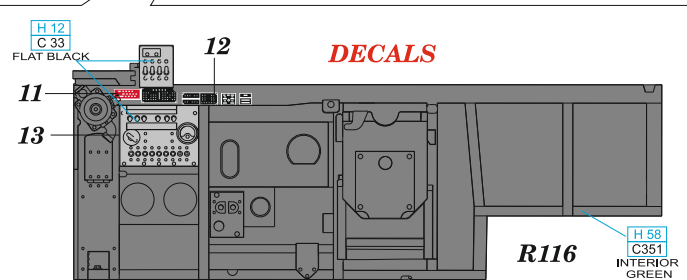
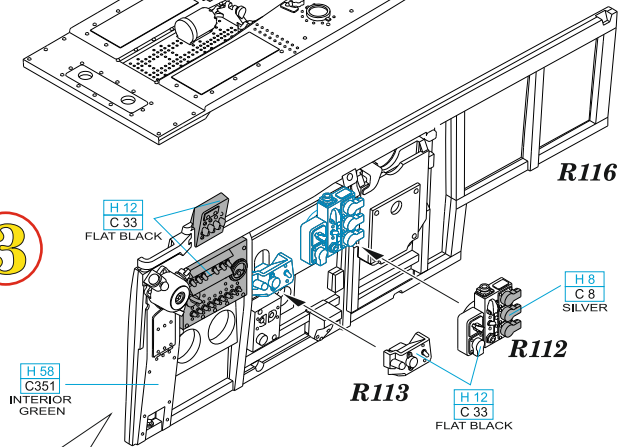


F 1

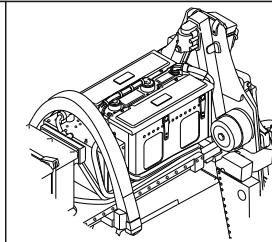
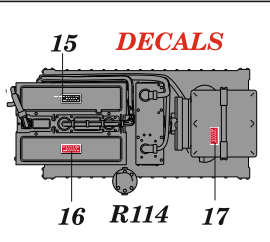
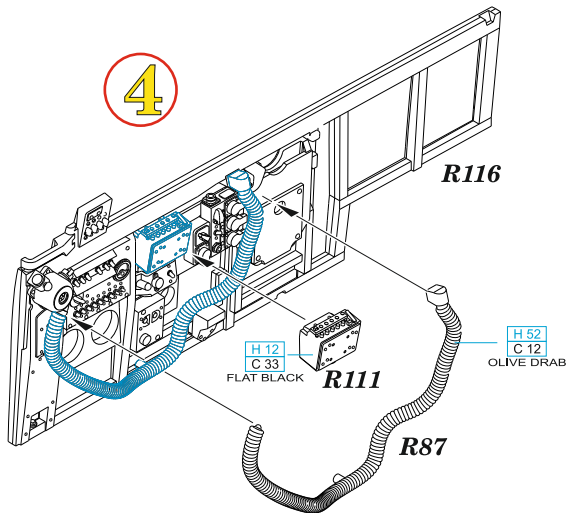
**SCR-522 RADIO INSTALLATION
+ COCKPIT FUEL TANK
INCLUDED
COMMON VERSION**



3

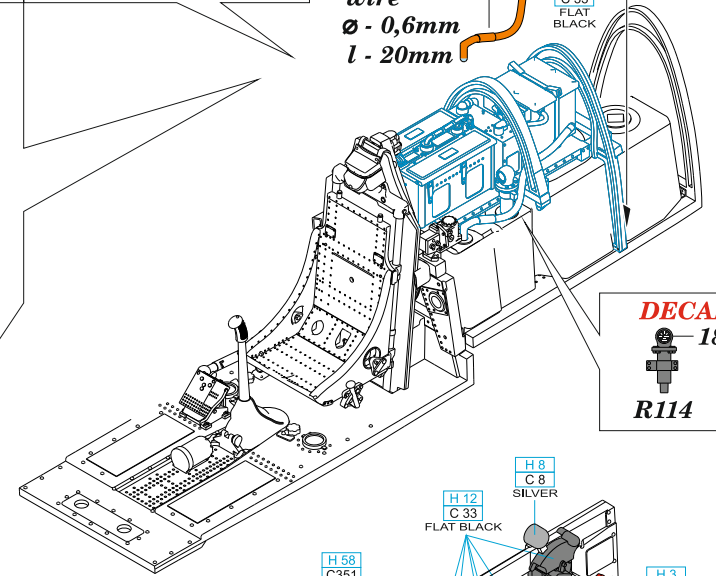


4



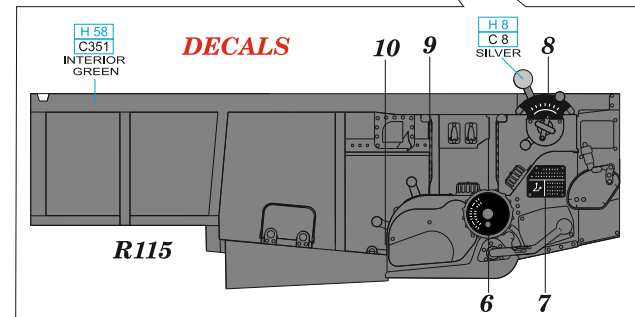
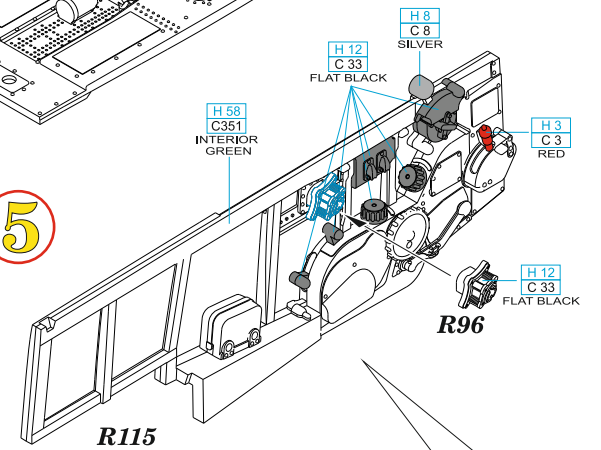
2

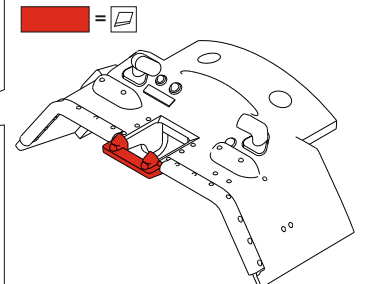
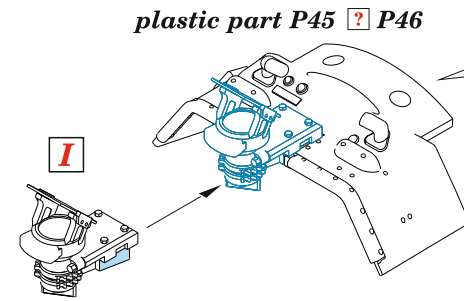
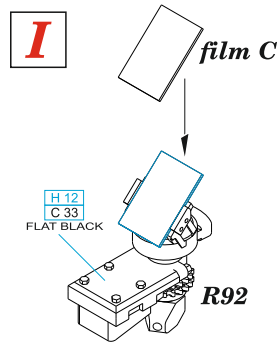
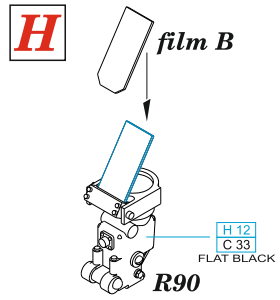
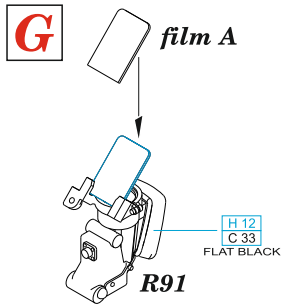
wire
Ø - 0,6mm
l - 20mm



**DECAL
18
R114**

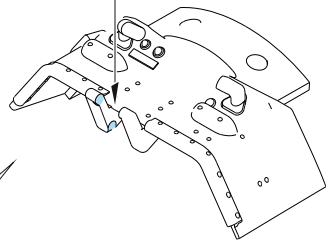
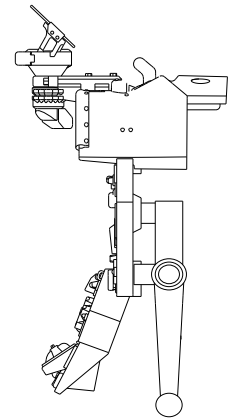
5



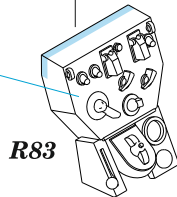
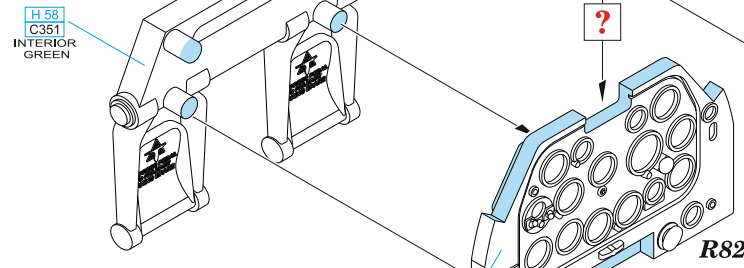
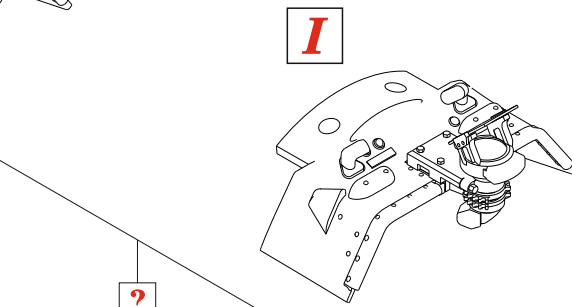
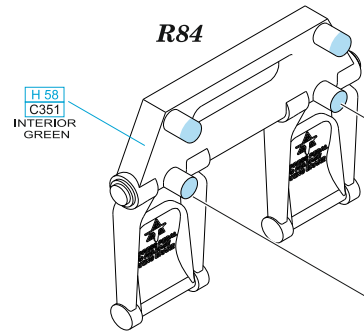
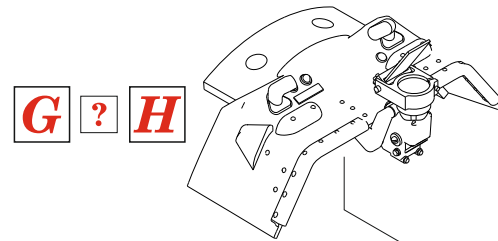


plastic part P45 P46

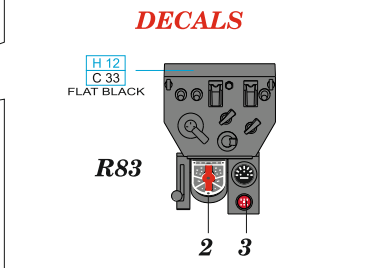
CORRECT POSITION



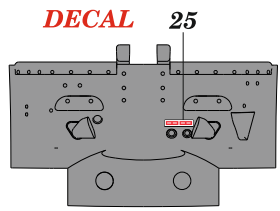
plastic part P44



R82 1
H 12
C 33
FLAT BLACK

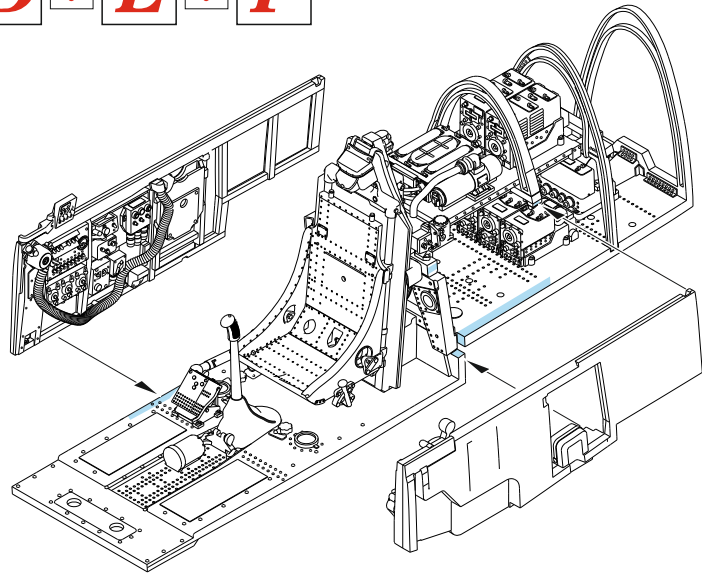


R83 2 3
H 12
C 33
FLAT BLACK

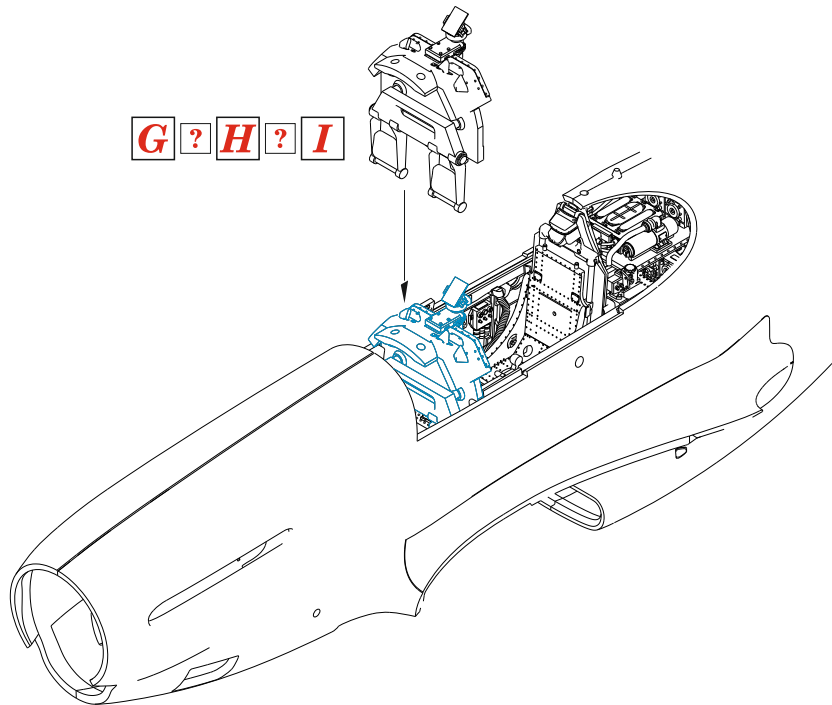


plastic part P44

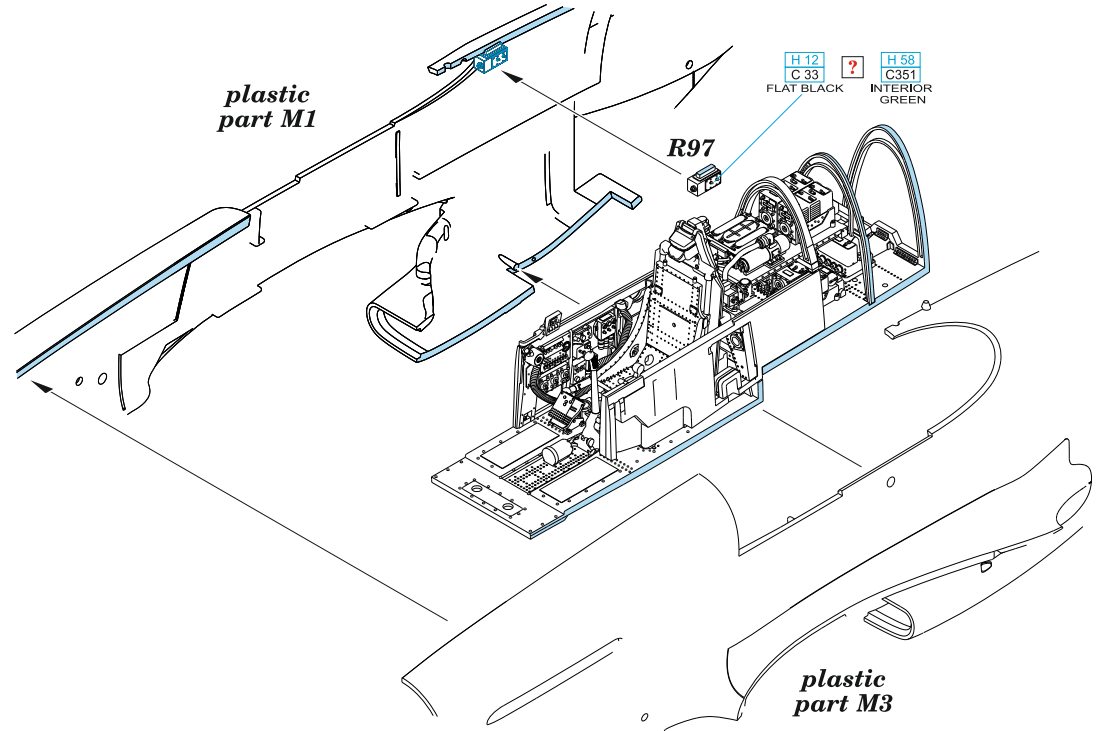
D ? E ? F



G ? H ? I



plastic part M1

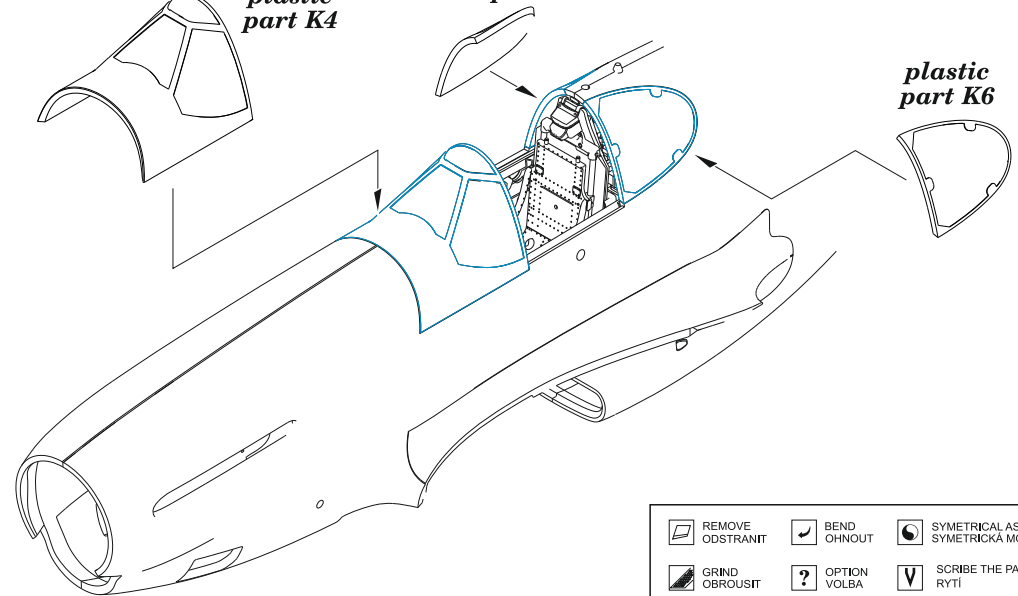


plastic part M3

plastic part K4

plastic part K8

plastic part K6



REMOVE ODSTRANIT	BEND OHNOUT	SYMMETRICAL ASSEMBLY SYMETRICKÁ MONTÁŽ
GRIND OBROUSIT	OPTION VOLBA	SCRIBE THE PANEL AND HOLES RYTI
DRILL HOLE VRTAT OTVOR	REPLACE NAHRADIT	REVERSE SIDE OTOČIT