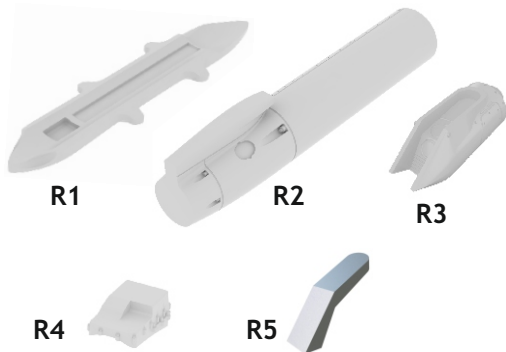
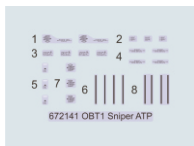


672 141 Sniper ATP



1/72 scale



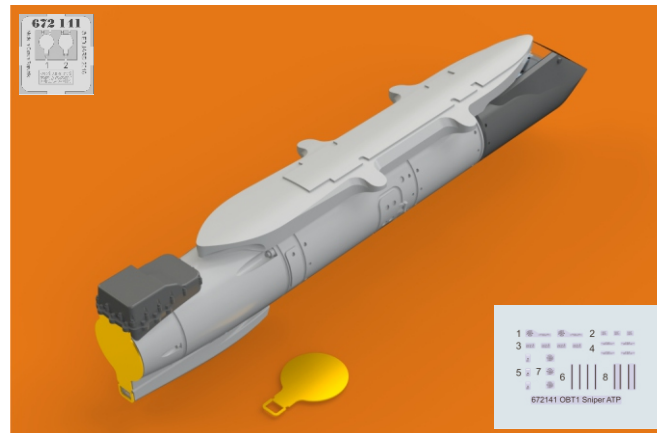
COLOURS

GSI Creos (GUNZE)		Mr.METAL COLOR
AQUEOUS	Mr.COLOR	
[H 3]	[C 3]	RED
[H91]	[C48]	CLEAR YELLOW
[H305]	[C305]	GRAY

672 141

Sniper ATP

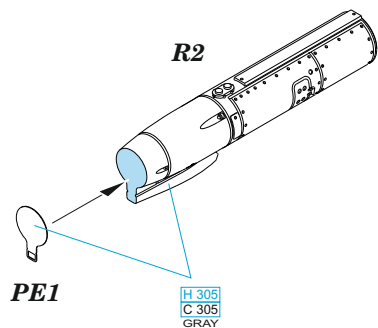
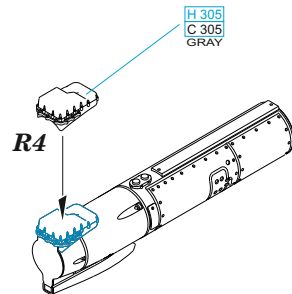
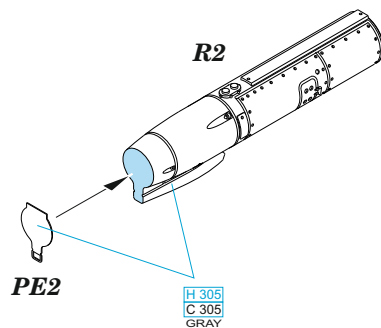
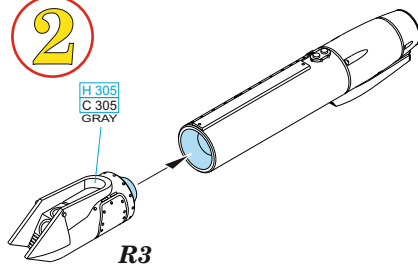
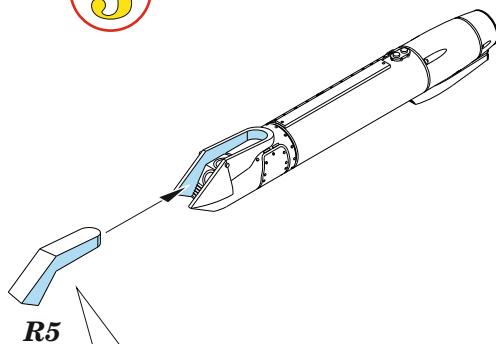
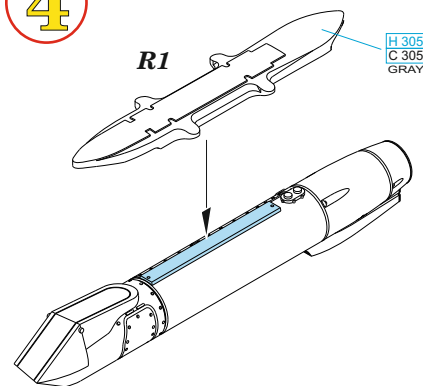
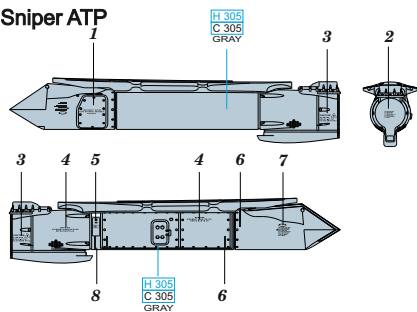
1/72



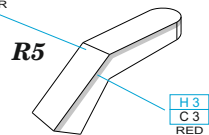
**eduard**  
435 21 Obrnice 170  
Czech Republic

www.eduard.com  
7,95



**1****?****2****3****4****Sniper ATP**

CLEAR

REMOVE  
ODSTRANITBEND  
OHNOTSYMMETRICAL ASSEMBLY  
SYMETRICKÁ MONTÁŽGRIND  
OBROUSITOPTION  
VOLBASCRIBE THE PANEL AND HOLES  
RYTIDRILL HOLE  
VRTÁT OTVORREPLACE  
NAHRADITREVERSE SIDE  
OTOČIT