

# Fw 190A-5

eduard

1/48 Scale Plastic Model Kit

**ProfiPACK**  
edition



item No. 82149

The Focke-Wulf Fw 190 was the best what was available to the Luftwaffe during the second half of the World War II. It soldiered in various modifications as the aircraft for many different tasks.

The dedicated fighter version of Fw 190 was a high performance, heavily armed aircraft. To meet the 1938 specification issued by the Technisches Amt, RLM, the development team led by Kurt Tank ran into several difficulties, which were addressed continually during the process of the development. The first prototype took to the air on June 1, 1939 and after a series of improvements and, also after some quite radical changes, the design culminated during the fall of 1940, when twenty-eight units of pre-series Fw 190A-0 variant were built. Six of these were retained by the test unit Erprobungsstaffel 190 at Rechlin, tasked with service trials. The trials revealed a wide range of flaws to the point where the RLM halted further development. Nevertheless, as the test unit staff recommended, the design team was given another opportunity. After a series of some fifty modifications, the RLM gave the go ahead for the Fw 190 to be taken into inventory of the Luftwaffe.

#### Into combat

During June 1941, the Luftwaffe accepted the first of 100 ordered Fw 190A-1s, armed with four 7.9 mm MG 17 machine guns. The II./JG 26 was completely equipped with the type and operating on the Western Front by September 1941 and its operations changed the game, as the new fighter was superior not only to the Hurricanes, but also to the Spitfires. The very first Fw 190 lost in combat was the Fw 190A-1 (factory No. 0028) flown by Gruppenkommandeur (Group Commander) of II./JG26 Walter Adolph. He was shot down on September 18, 1941. During November of the same year the production of the next version Fw 190A-2 commenced. The new variant was powered by a BMW 801C-2 engine and armed with two 7.9 mm MG 17s and two MG 151s of 20 mm caliber in the wings. Part of this series received an additional pair of 20 mm MG FFs, thus attaining an armament standard of later types. A significant advancement to the design came in the spring of 1942, when the BMW 801D-2 engine became available. Its installation allowed new Fw 190A-3 variant to be entered and in July 1942 the development continued with the improved Fw 190A-4. Both were armed with what became the standard armament for future Fw 190s; i.e. two fuselage mounted MG 17s, two wing mounted MG 151 cannons, and two MG FF cannons, placed inboard of the wheel wells.

#### Mass production begins

During 1942 the production of Fw 190 had intensified, and another production facility was set up at Fieseler, where the "Würgers", as the Fw 190s were nicknamed, were built under license. Thanks to this step and to other measures, production rose in 1942 to 1,878 units, comparing quite amazingly to just 224 aircraft in 1941. Large-scale production of the Fw 190A-5 was initiated in April 1943 with an identical wing to the A-4 variant, but with a nose extension that would become standard on all subsequent Fw 190A versions up to the A-9, and on the corresponding F types. July saw the development of a new, strengthened wing,

which incorporated MG 151s instead of the MG FFs in the outer position. The adoption of this wing developed into the Fw 190A-6 version. Further changes led to the Fw 190A-7, produced during the end of 1943. This version came about with the replacement of the fuselage mounted MG 17s with 13 mm MG 131s. Further improvements led to the Fw 190A-8, the variant, which became the most produced with some 6,655 units made. The most significant change was the installation of the GM-1 nitrous-oxide injection system, used for temporary power boost in combat. A portion of A-8 production was dedicated to the A-8/R2 and A-8/R8 variants, armed with MK 108 cannon in the outer wing location, and with armoured slabs added to the cockpit sides and to the modified canopy.

#### Last of the radial breed

The final production version of the BMW 801 engine powered fighter was the Fw 190A-9, equipped with the BMW 801TS of 2,000 hp (1,470 kW). There was a parallel development of these fighter-optimized aircraft with a dedicated fighter-bomber version, the Fw 190Fs. These aircraft had reduced wing armament to two MG 151 cannons in the wing root position. The engine was optimized for low level operation, and the armament options varied to satisfy the ground attack role, including bombs and variety of anti-tank rockets. This branched into the extended range Fw 190G version. Development of the thoroughbred fighter continued in the guise of the Fw 190D, which began to reach Luftwaffe units in the second half of 1944 and was the result of mounting an in-line Jumo 213A-1 engine into a modified Fw 190A-8 airframe.

#### Reich defender

Although the Fw 190 never achieved the widespread usage of the competing Bf 109, its contribution to the German Air Force was certainly significant through the second half of WWII. Fw 190s saw service on the Western Front as well as in the East. As heavy fighters with imposing firepower, they found themselves integral components, from 1943 onwards, within the units tasked with the protection of the Reich from the ominous clouds of allied bombers. This is where the A-8 version was instrumental, along with its A-8/R2 armoured development. This version, with its firepower, was real threat and daunting foe for the bomber crews. From the second half of 1944, their danger was kept in check to a degree by escorting P-47s, and later by the P-51D Mustang.

#### This kit: Fw 190A-5

The Fw 190A-4 was very successful fighter, and with the more powerful BMW 801D-2 engine developing 1,677 hp (1,250 kW), showed promising potential as more power allowed more ordnance and protective armour. With A-5 the installation of the engine changed, moving it forward by 5.9 inch (15 cm). The reasoning behind this was to move the centre of gravity forward, allowing more weight to be carried aft. Later variants of Fw 190s utilised this change to great extent.

ATTENTION



UPOZORNĚNÍ



ACHTUNG



ATTENTION



注意



Carefully read instruction sheet before assembling. When you use glue or paint, do not use near open flame and use in well ventilated room. Keep out of reach of small children. Children must not be allowed to suck any part, or pull vinyl bag over the head.



Před započítím stavby si pečlivě prostudujte stavební návod. Při používání barev a lepidel pracujte v dobře větrané místnosti. Lepidla ani barvy nepoužívejte v blízkosti otevřeného ohně. Model není určen malým dětem, mohlo by dojít k požití drobných dílů.

INSTRUCTION SIGNS \* INSTR. SYMBOL \* INSTRUKTION SINNBILDEN \* SYMBOLES \* 記号の説明

OPTIONAL  
VOLBABEND  
OHNOUTSAND  
BROUSITOPEN HOLE  
VYVRTAT OTVORSYMETRICAL ASSEMBLY  
SYMETRICKÁ MONTÁŽREMOVE  
ODŘÍZNOUTREVERSE SIDE  
OTOČITAPPLY EDUARD MASK  
AND PAINT  
POUŽIT EDUARD MASK  
NABARVIT

PARTS



DÍLY



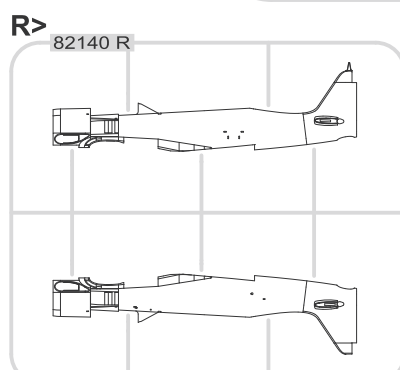
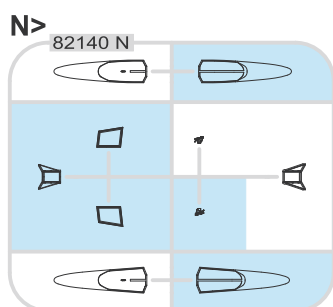
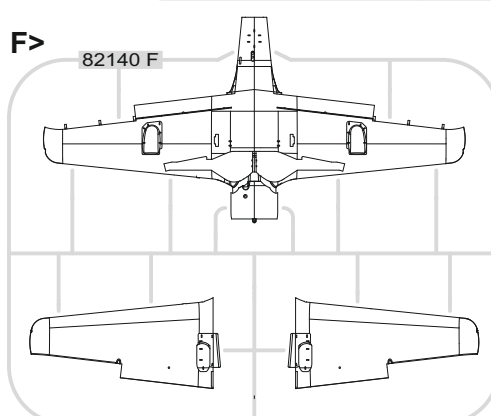
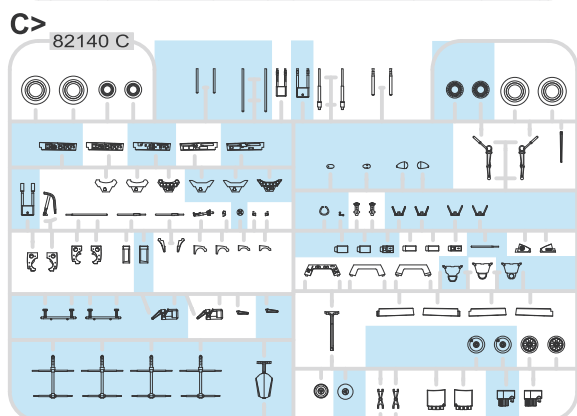
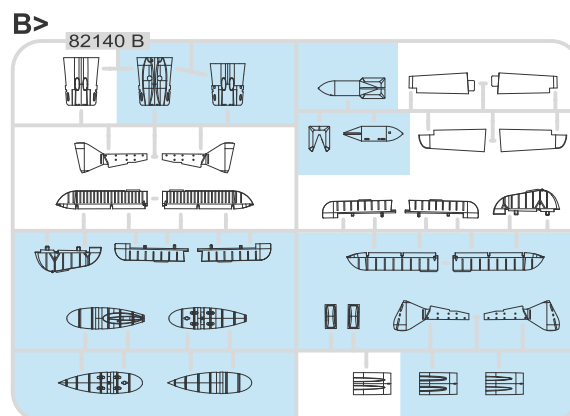
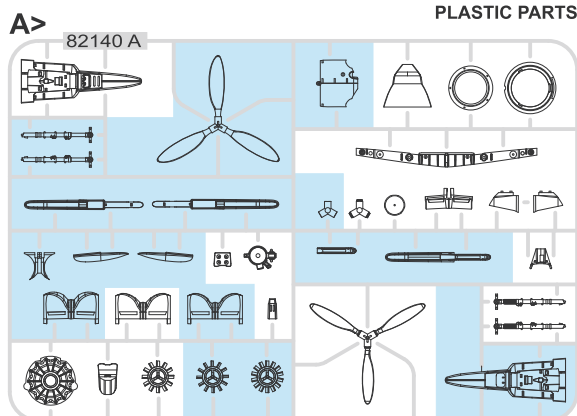
TEILE



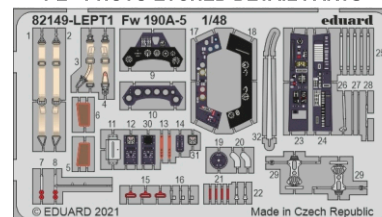
PIÈCES



部品



PE - PHOTO ETCHED DETAIL PARTS



-Parts not for use. -Teile werden nicht verwendet. -Pièces à ne pas utiliser. -Tyto díly nepoužívejte při stavbě. - 使用しない部品

COLOURS



BARVY



FARBEN



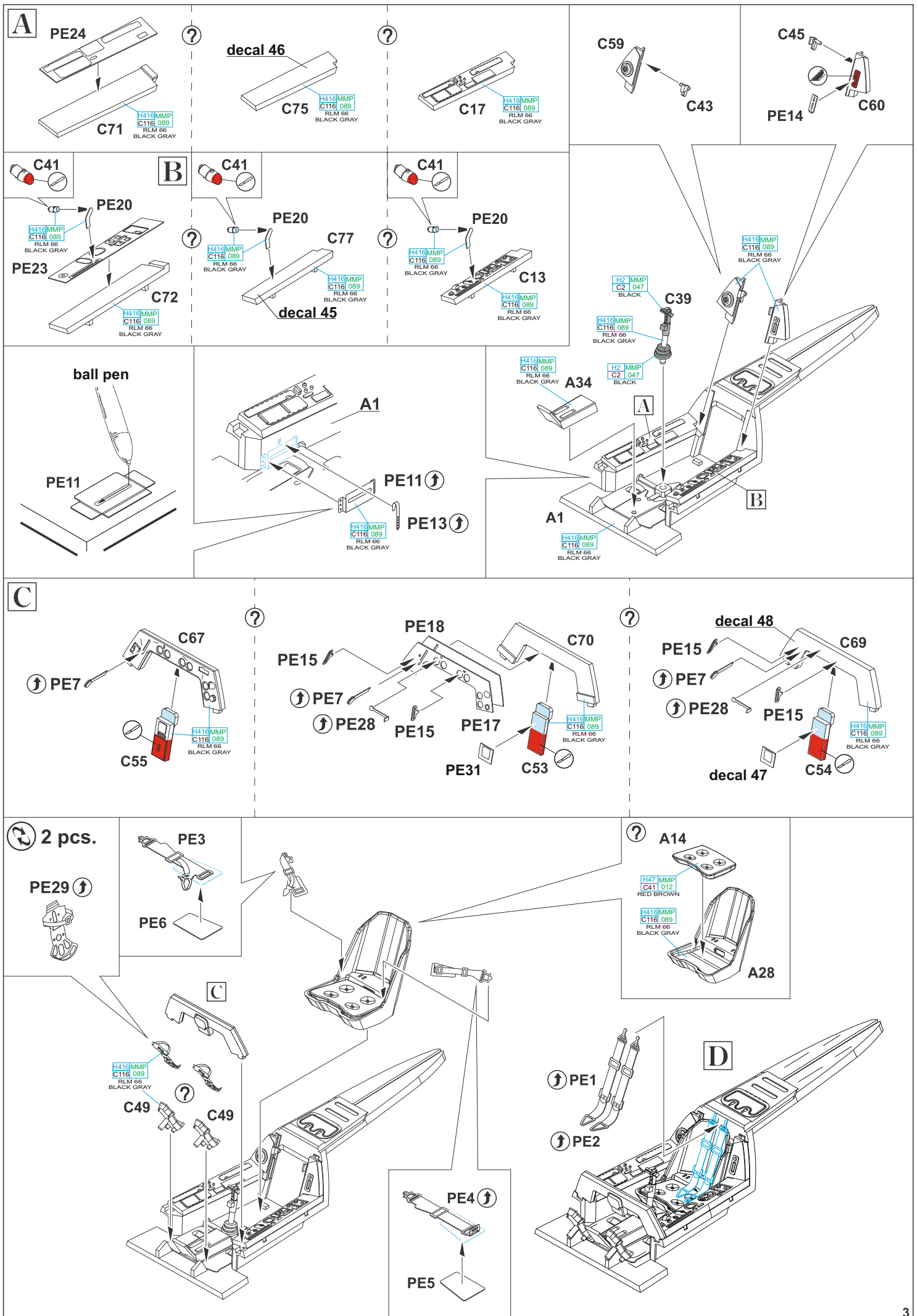
PEINTURE

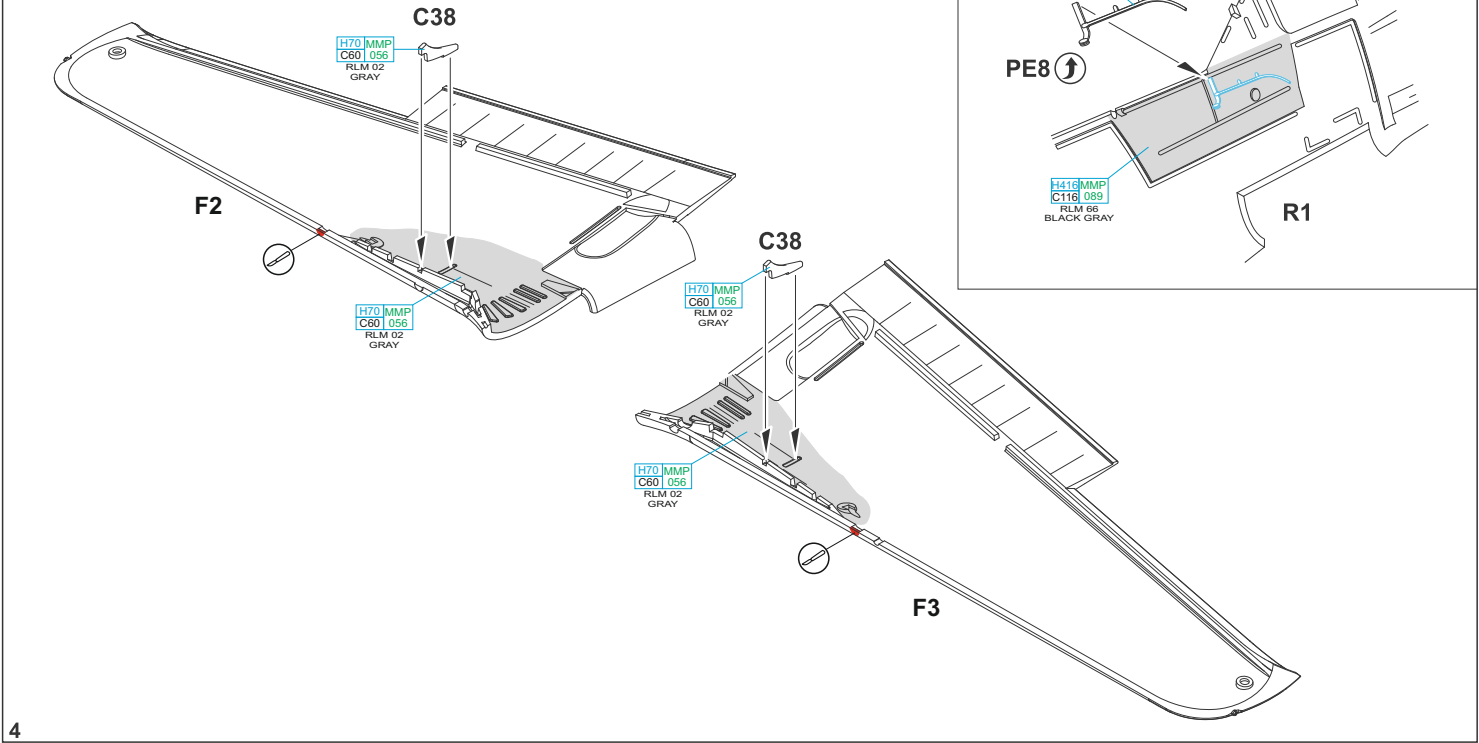
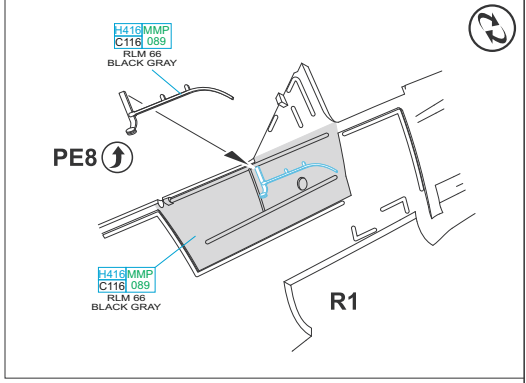
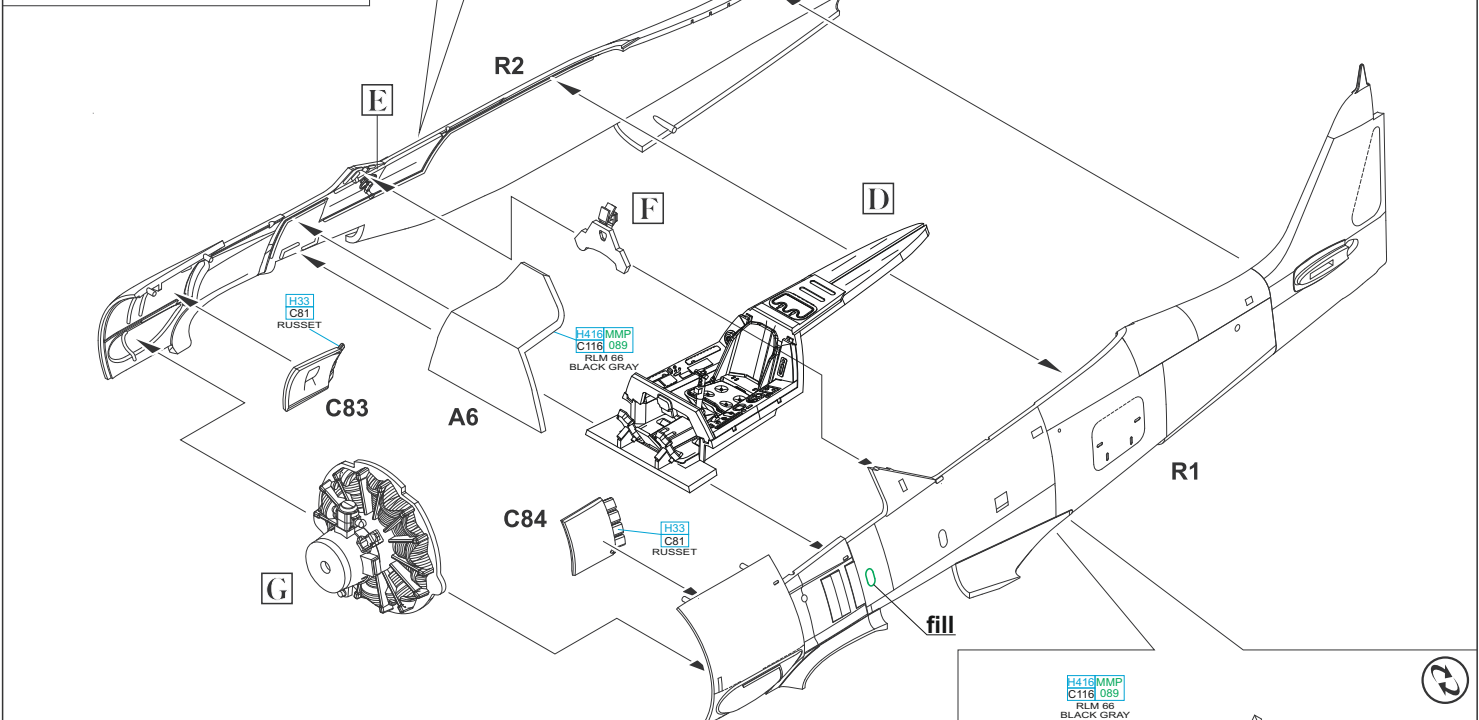
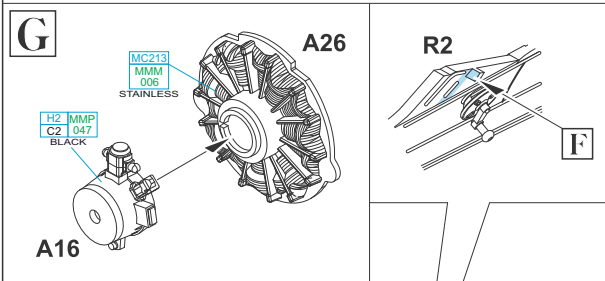
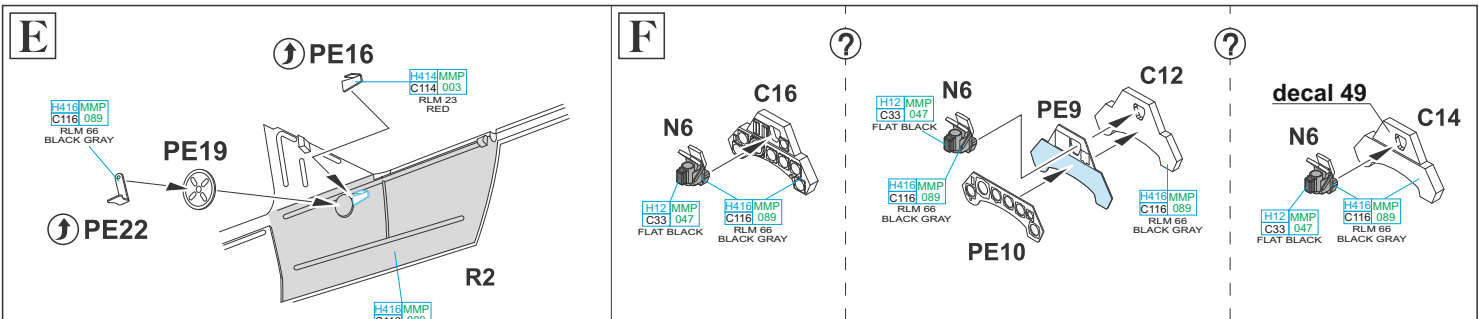


色

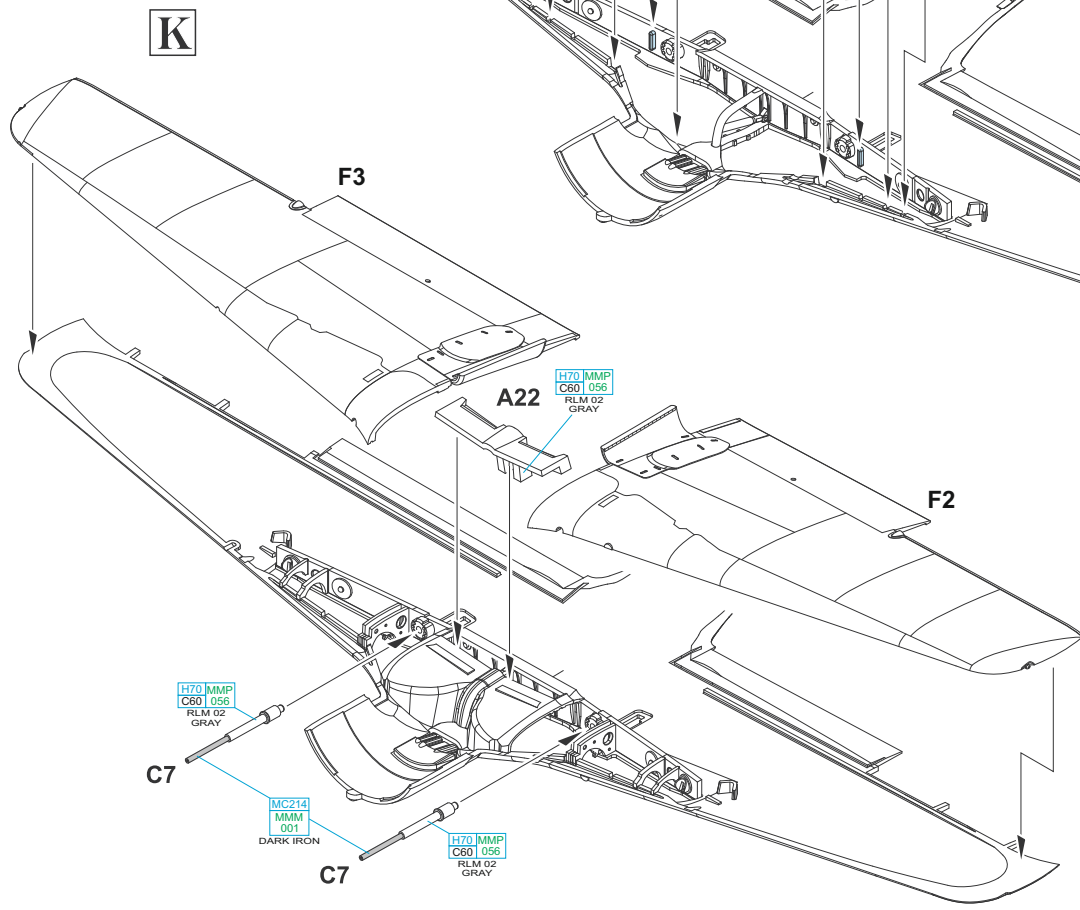
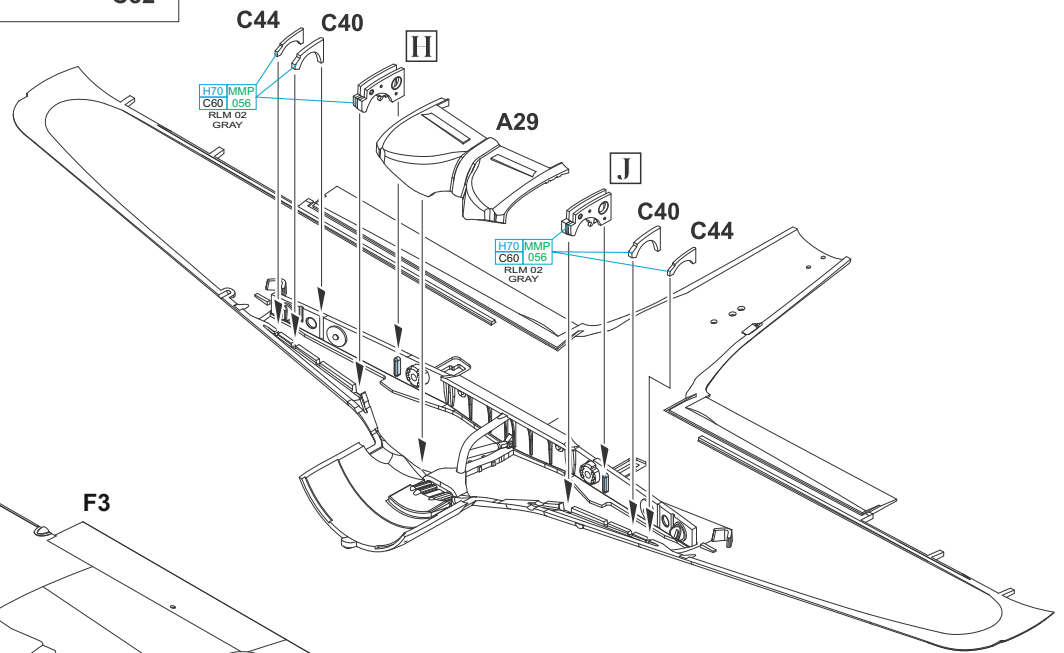
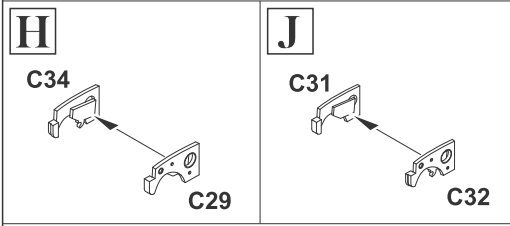
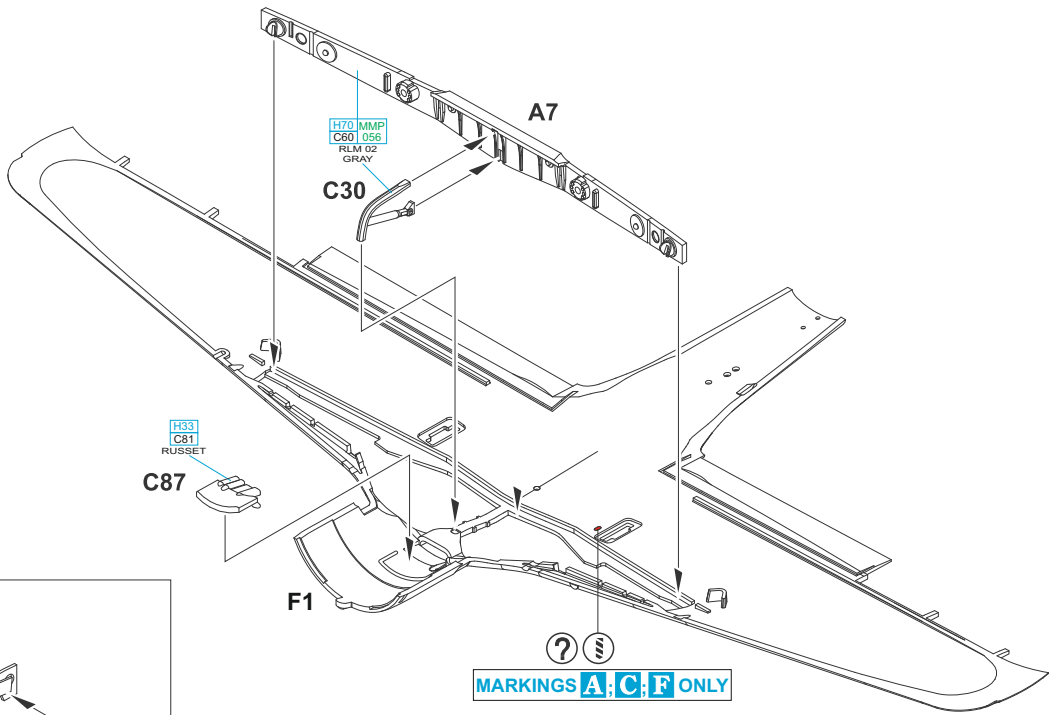
GSI Creos (GUNZE)		MISSION MODELS	
AQUEOUS	Mr.COLOR	PAINTS	
H1	C1	MMP-001	WHITE
H2	C2	MMP-047	BLACK
H6	C6	MMP-004	GREEN
H11	C62	MMP-001	FLAT WHITE
H12	C33	MMP-047	FLAT BLACK
H33	C81		RUSSET
H47	C41	MMP-012	RED BROWN
H65	C18	MMP-088	RLM70 BLACK GREEN
H68	C36	MMP-049	RLM74 DARK GRAY
H69	C37	MMP-050	RLM75 GRAY
H70	C60	MMP-056	RLM02 GRAY
H77	C137	MMP-040	TIRE BLACK
H90	C47		CLEAR RED

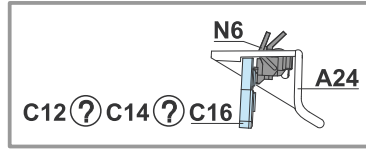
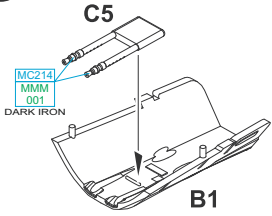
GSI Creos (GUNZE)		MISSION MODELS	
AQUEOUS	Mr.COLOR	PAINTS	
H94	C138		CLEAR GREEN
H312	C312		GREEN
H406	C406		CHOCOLATE BROWN
H413	C113	MMP-090	RLM04 YELLOW
H414	C114		RLM23 RED
H416	C116	MMP-089	RLM66 BLACK GRAY
H417	C117	MMP-051	RLM76 LIGHT BLUE
Mr.METAL COLOR		METALLICS	
MC213		MMM-006	STEEL
MC214		MMM-001	DARK IRON
Mr.COLOR SUPER METALLIC		METALLICS	
SM206		MMC-001	CHROME SILVER











H94  
C138  
CLEAR GREEN

**B29**

H416 MMP  
C116 089  
RLM 66  
BLACK GRAY

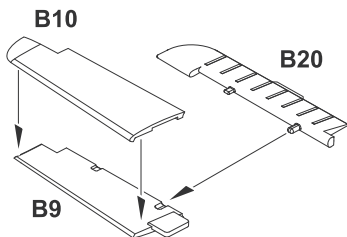
**A24**

H47 MMP  
C47 012  
RED BROWN

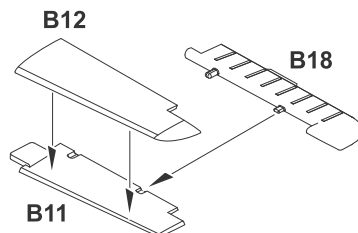
**K**

H90  
C47  
CLEAR RED

**L**



**M**



**B22**

H11 MMP  
C11  
WHITE

**L**

**M**

**B14**

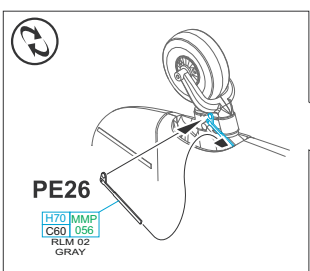
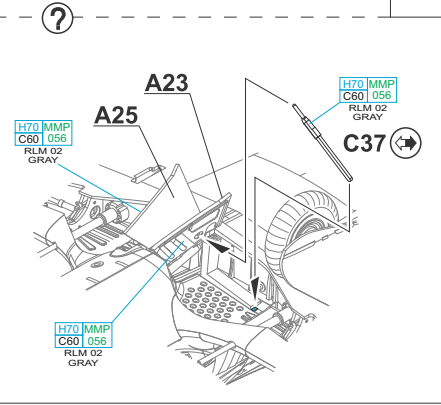
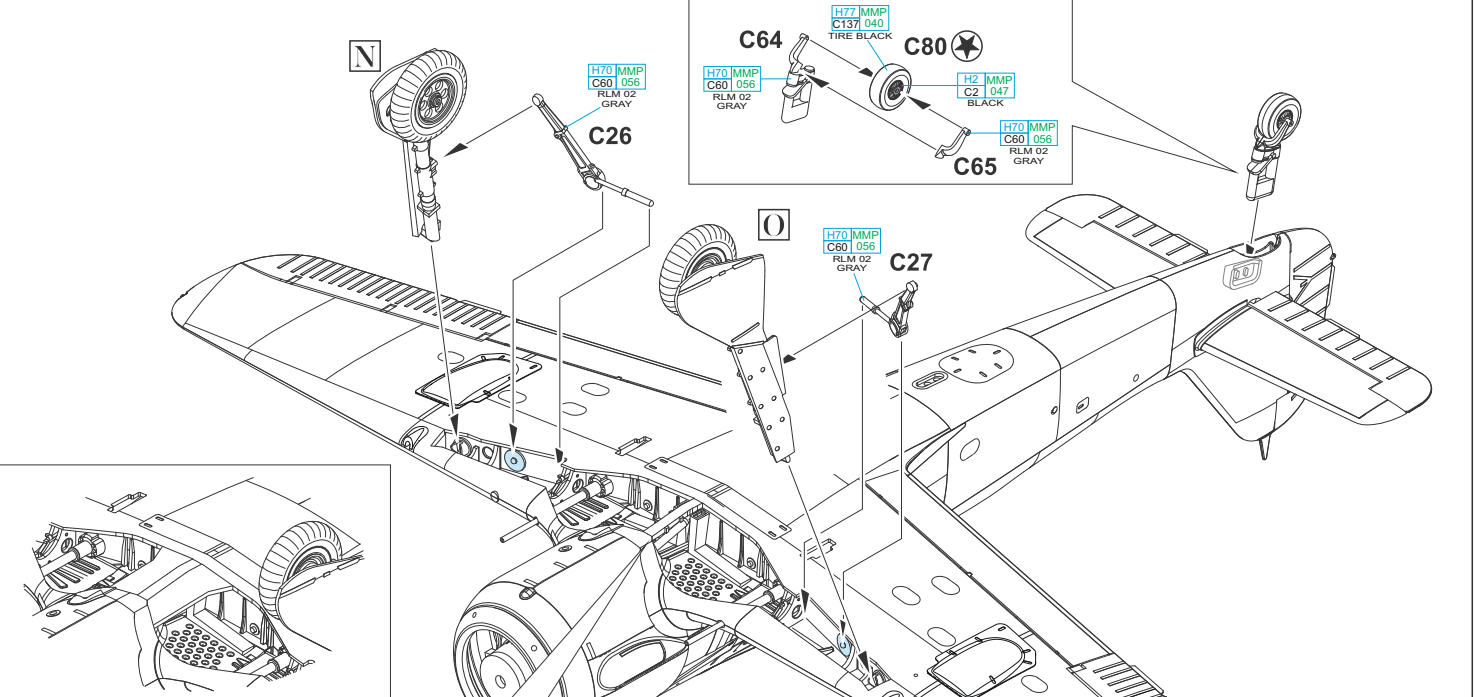
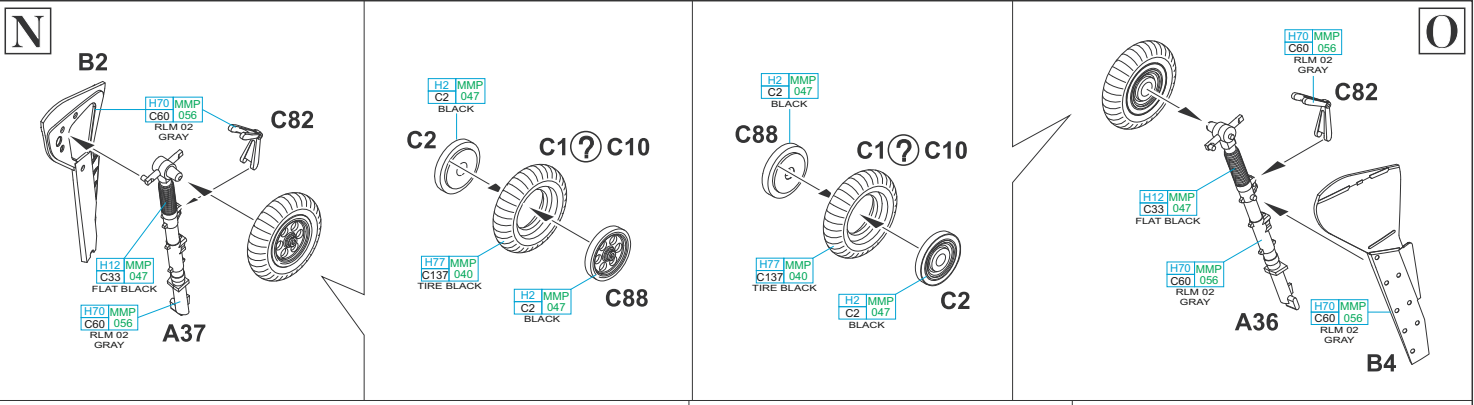
**A9**

H70 MMP  
C60 056  
RLM 02  
GRAY

**A8**

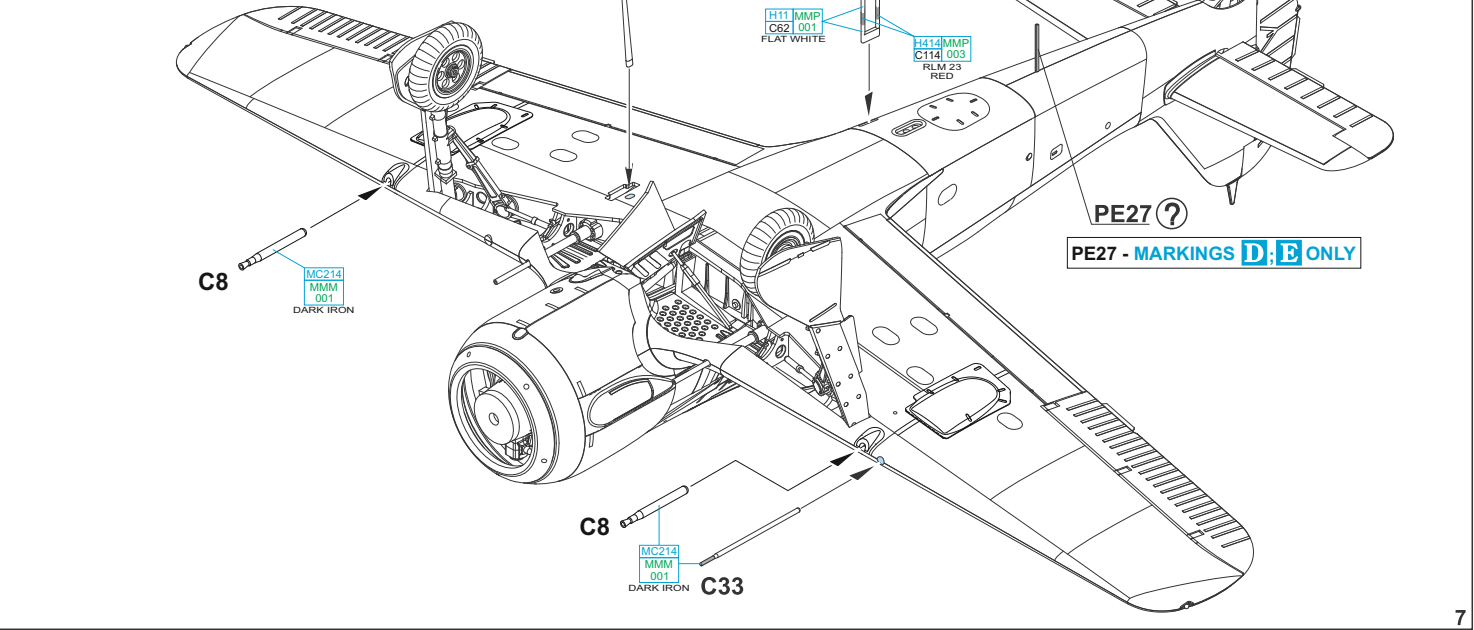
H70 MMP  
C60 056  
RLM 02  
GRAY

**B16**



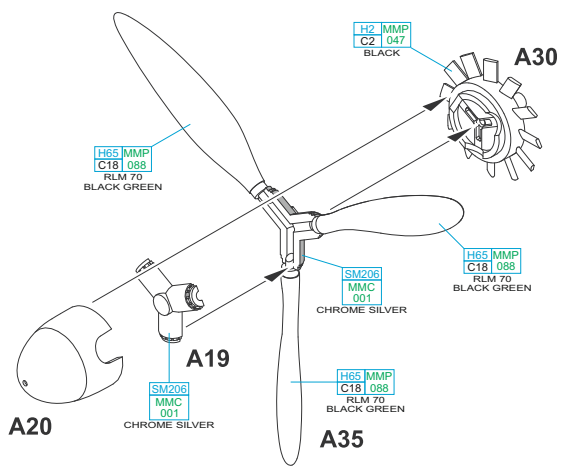
C58 ? PE32 - MARKINGS  
A, C, E ONLY

PE32 ? C58

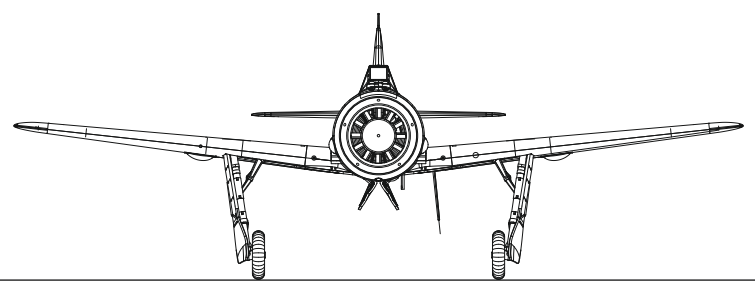
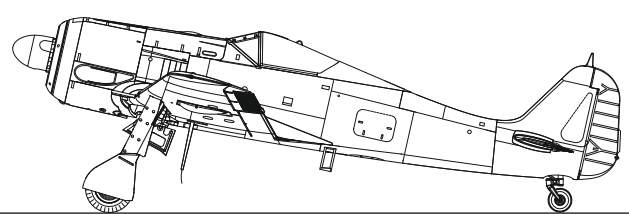
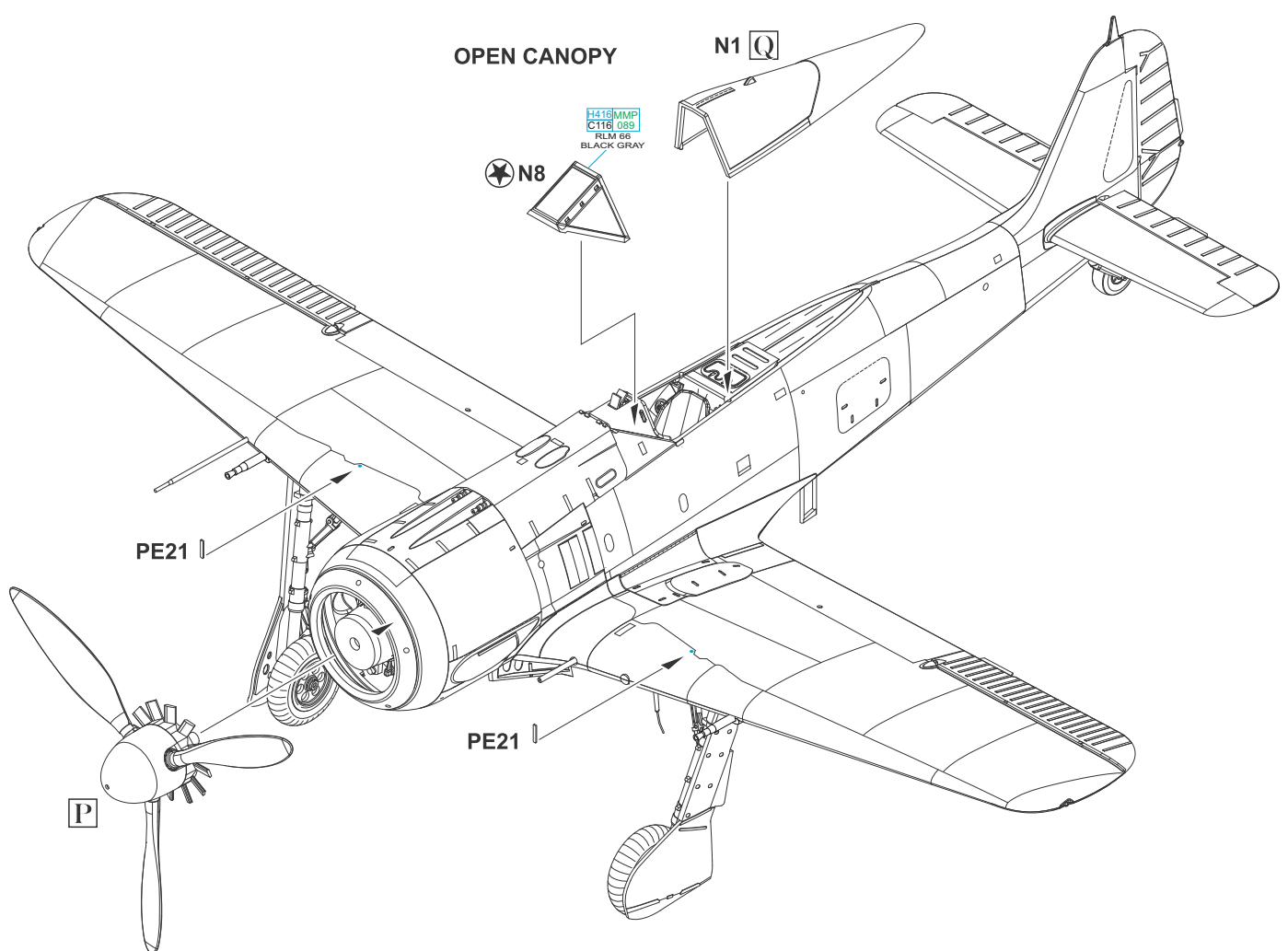
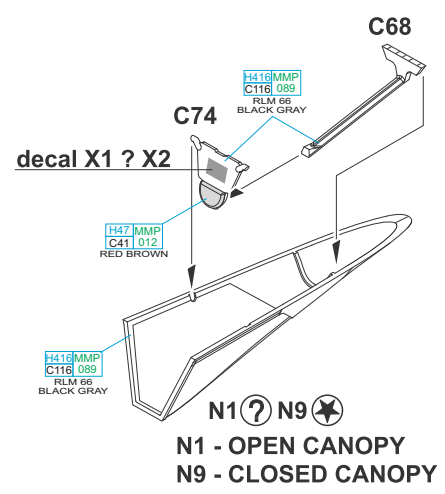


PE27 ?  
PE27 - MARKINGS D, E ONLY

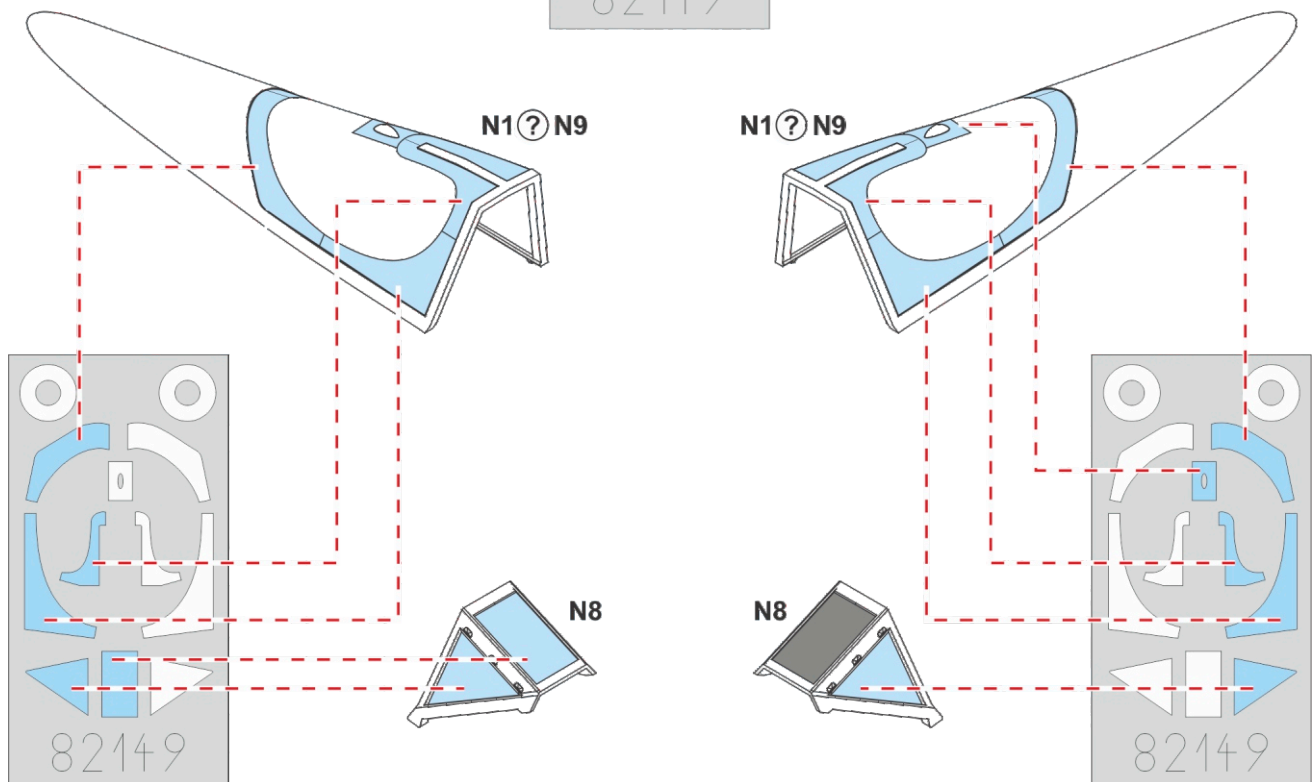
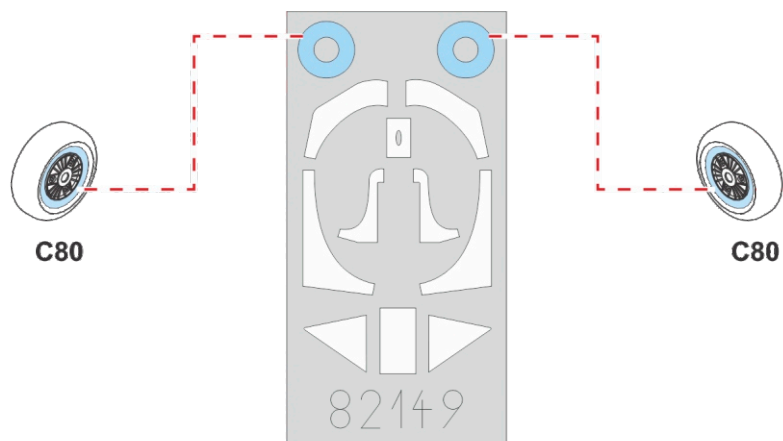
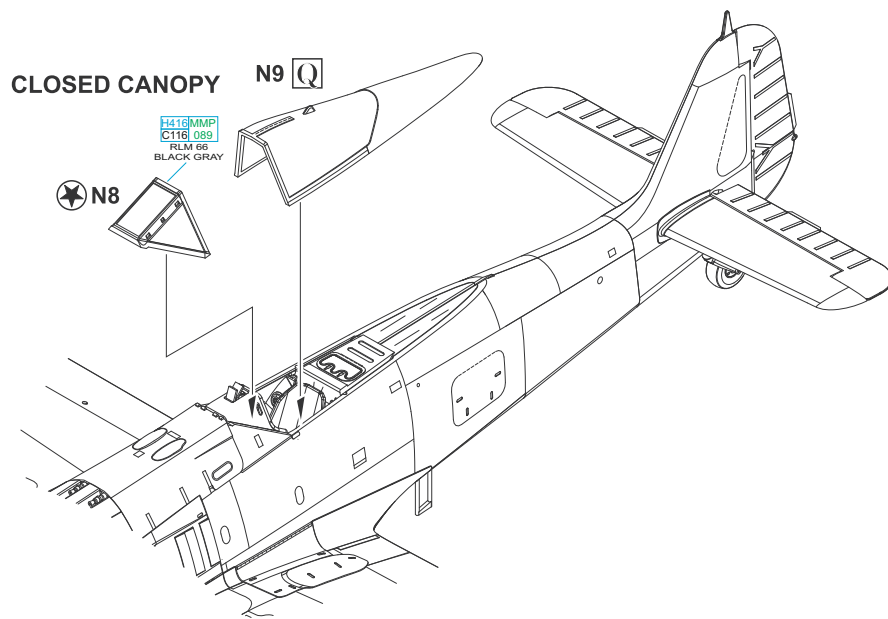
P



Q

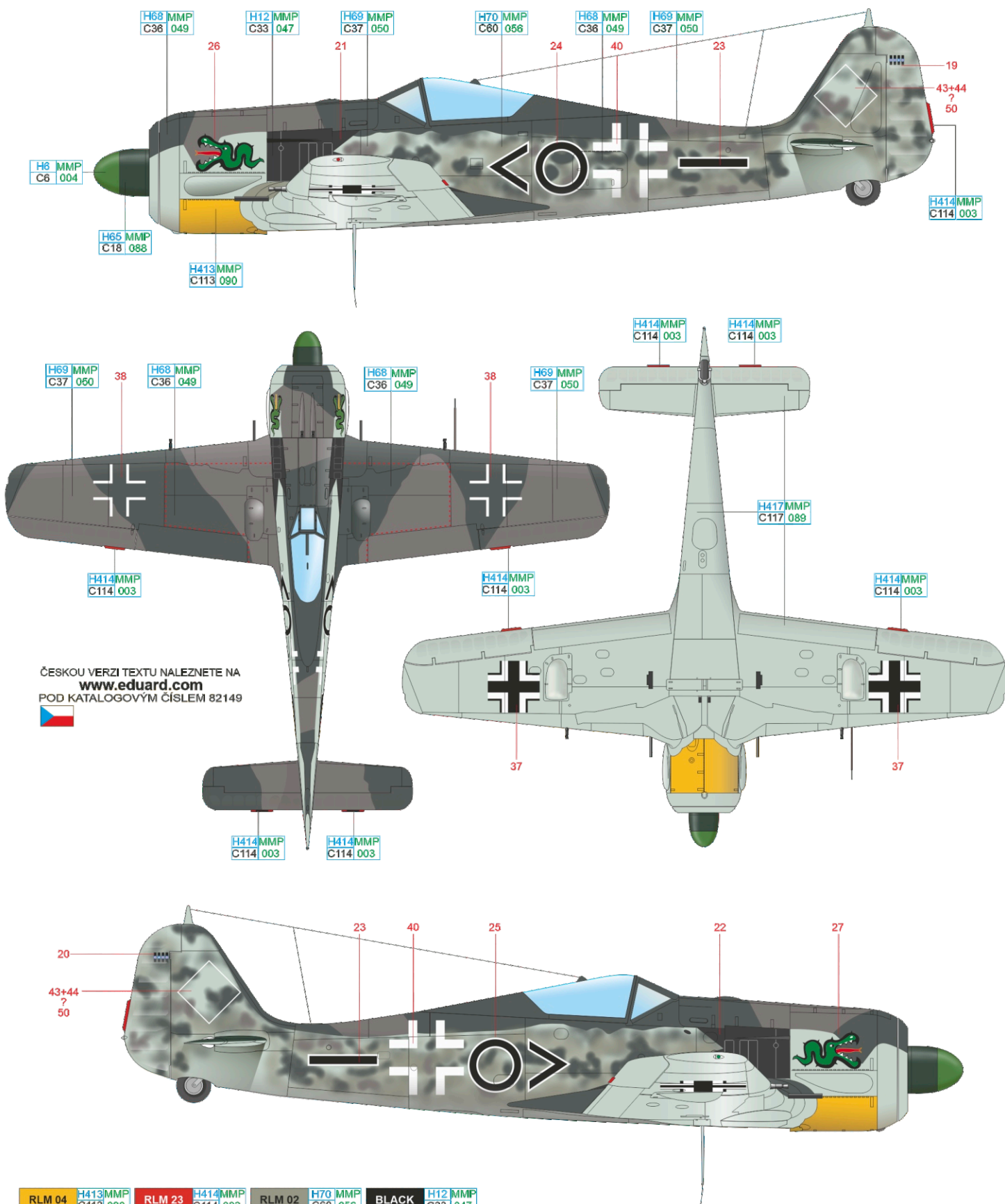






# A flown by Lt. Rüdiger von Kirchmayr, TO of II./JG 1, Woensdrecht, the Netherlands, spring 1943

Camouflage consist of colors RLM 74, 75 and 76 with spinner in RLM 70. Mythical Alpine creature Tatzelwurm is marking of II./JG 1 (formerly I./JG 3). This Fw 190 was also simultaneously used by JG 300. Rüdiger von Kirchmayr was born in 1921 at Klosterneuberg in Austria. From summer 1941, he scored first five victories with 4./JFS 5 in France. He was transferred to Ergänzung-Jagdgruppe West in February 1942. In early June 1942, von Kirchmayr was assigned to 4./JG 1 in Holland and in April 1943, he was appointed Technische Offizier of Stab II./JG 1. He became Staffelkapitän of 5./JG 1 in 1943 and during this period he claimed or heavily damaged 17 B-17s and B-24s. On August 13<sup>th</sup>, 1944, he was shot down and wounded by US fighters. Von Kirchmayr was appointed CO of I./JG 11 in October 1944 and from January 1945 fought on the Eastern Front. In April he left JG 11 and became member of Galland's JV 44 with Me 262s. His score was probably around 50 victories in 392 missions.



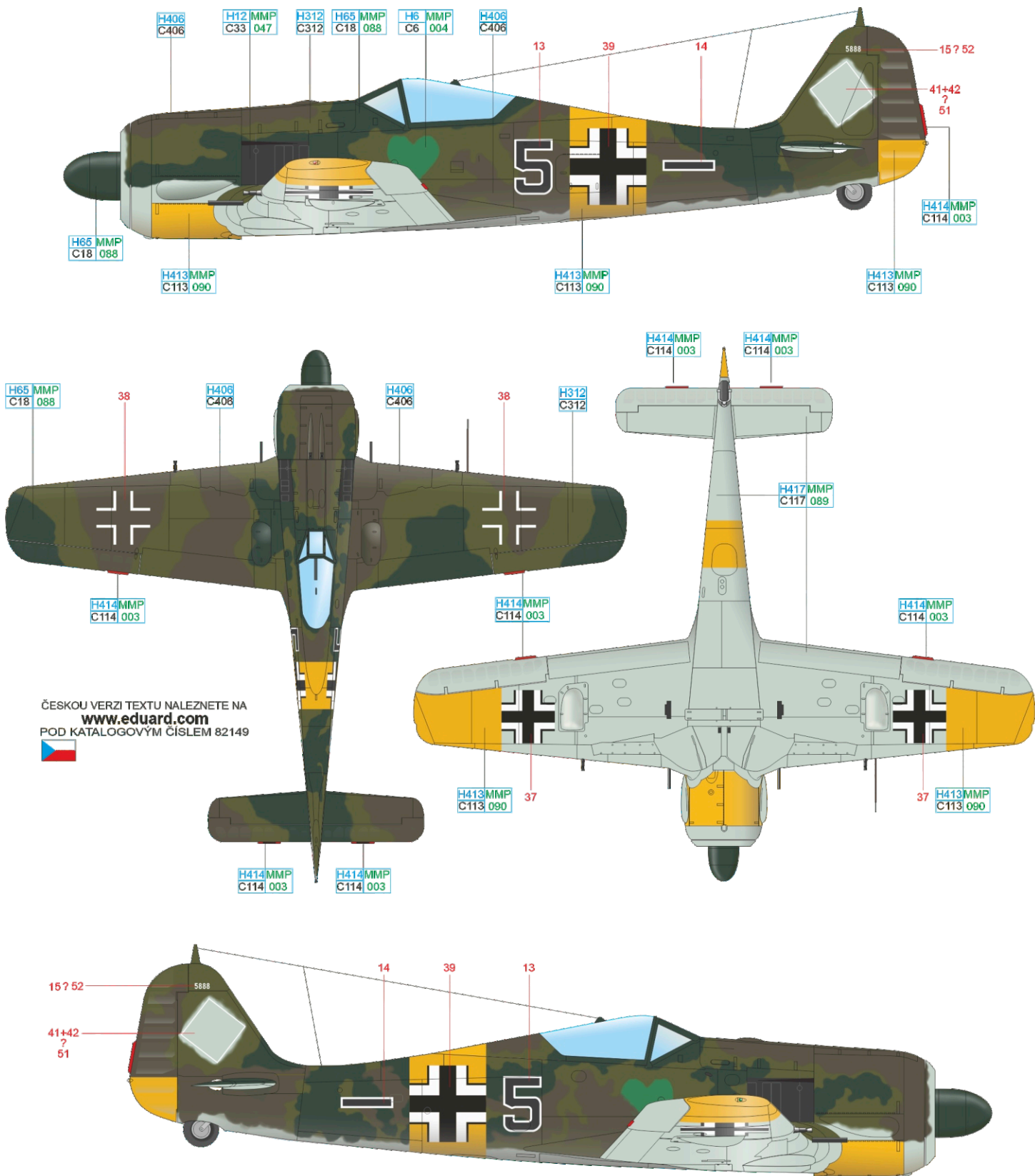
ČESKOU VERZI TEXTU NALEZNETE NA  
[www.eduard.com](http://www.eduard.com)  
 POD KATALOGOVÝM ČÍSLEM 82149



RLM 04	H413 MMP C113 090	RLM 23	H414 MMP C114 003	RLM 02	H70 MMP C60 056	BLACK	H12 MMP C33 047
RLM 74	H68 MMP C36 049	RLM 75	H69 MMP C37 050	RLM 76	H417 MMP C117 089	RLM 70	H65 MMP C18 088
					GREEN	H6 MMP C6 004	

# B WNr. 5888, flown by Oblt. Maximilian Stotz, CO of 5./JG 54, Siverskaya, Soviet Union, May 1943

Aircraft is probably WNr. 5888 manufactured by Arado in Warnemünde at beginning of 1943. Camouflage consist of brown and green colors on upper surfaces, RLM 76 on undersides with spinner in RLM 70. Stotz was born in Austria in 1912 and in 1933 entered Austrian Army. From 1938 he belonged to Austrian aerobatic team. In Luftwaffe, Stotz was assigned to 1./JG 76 (later 4./JG 54 "Grünherz") and scored first victory in November 1939. He scored 12 victories during French campaign but suffered injury during Battle of Britain. After Balkan campaign he fought on Eastern Front and in June 1942 received Knight's Cross after 53 victories. Oak Leaves followed soon after he scored his 100<sup>th</sup> victory in October. From April 1943 he led 5./JG 54 but was missing "Black 7" after brief head-on encounter with enemy fighters on August 19<sup>th</sup>, 1943. His original "Black 5" was probably flown by his wingman Uffz. Herbert Koller (50 v.) who made belly landing. "Black 5" (WNr. 5888) was finally lost on October 7<sup>th</sup>, 1943 with Lt. Karl-Heinz Lüchau (12 v.) wounded. Final score of Stotz was 182 victories. He was promoted to Hauptmann posthumously.



ČESKOU VERZI TEXTU NALEZNETE NA  
[www.eduard.com](http://www.eduard.com)  
 POD KATALOGOVÝM ČÍSLEM 82149

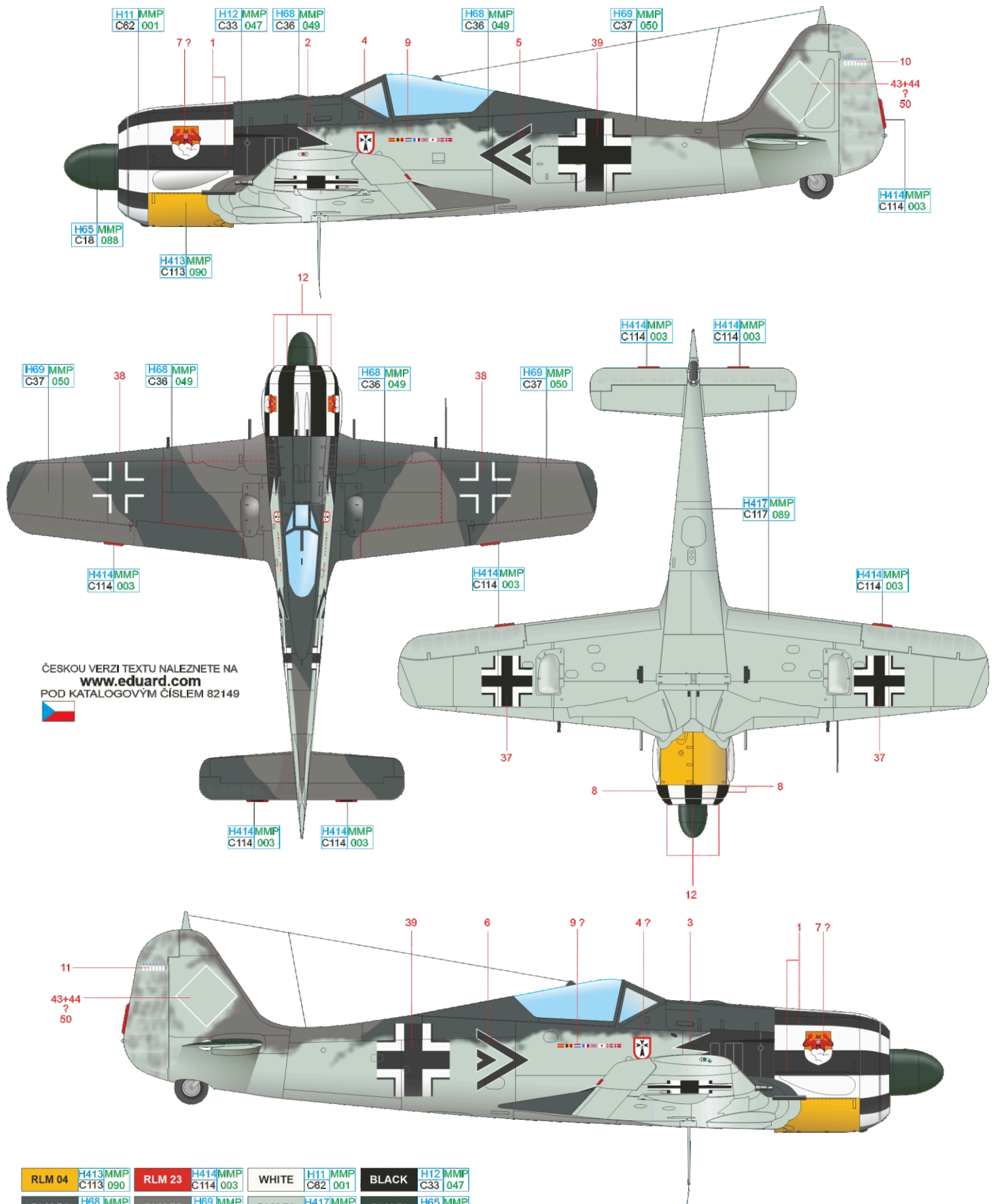


RLM 76	H417 MMP C117 089	RLM 61	H406 C406	RLM 62	H312 C312	GREEN	H6 MMP C6 004
RLM 04	H413 MMP C113 090	RLM 23	H414 MMP C114 003	BLACK	H12 MMP C33 047	RLM 70	H65 MMP C18 088



# C flown by Maj. Fritz Losigkeit, CO of I./JG 1, Deelen, the Netherlands, April 1943

Camouflage consist of colors RLM 74, 75 and 76 with spinner in RLM 70. Fritz Losigkeit (1913–1994) was born in Berlin and from October 1936 served in JG "Richthofen". In March 1938 he joined Legion Condor in Spain but was shot down and captured. In April 1939 he joined 2./JG 26 and later became commander of this unit. In June 1941 he started to work in diplomatic mission in Tokyo, Japan. After his return, in March 1942 he took over command of IV./JG 1 (later I./JG 1) in the Netherlands. In June 1943 he took over command of I./JG 26, but during same month he was sent to Eastern Front to lead III./JG 51. In April 1944 he became Kommodore of JG 51 and one year later he took over JG 77. He scored 68 victories in approximately 750 missions and was awarded with Knight's Cross. His Fw 190 shows flags demonstrating his campaigns and foreign assignments. Devil emblem of IV./JG 1 and victories on rudder are not confirmed by photos. After the war Losigkeit worked for CIA controlled organization Gehlen, later he became secretary of Free Democratic Party (FDP).



ČESKOU VERZI TEXTU NALEZNETE NA  
[www.eduard.com](http://www.eduard.com)  
 POD KATALOGOVÝM ČÍSLEM 82149

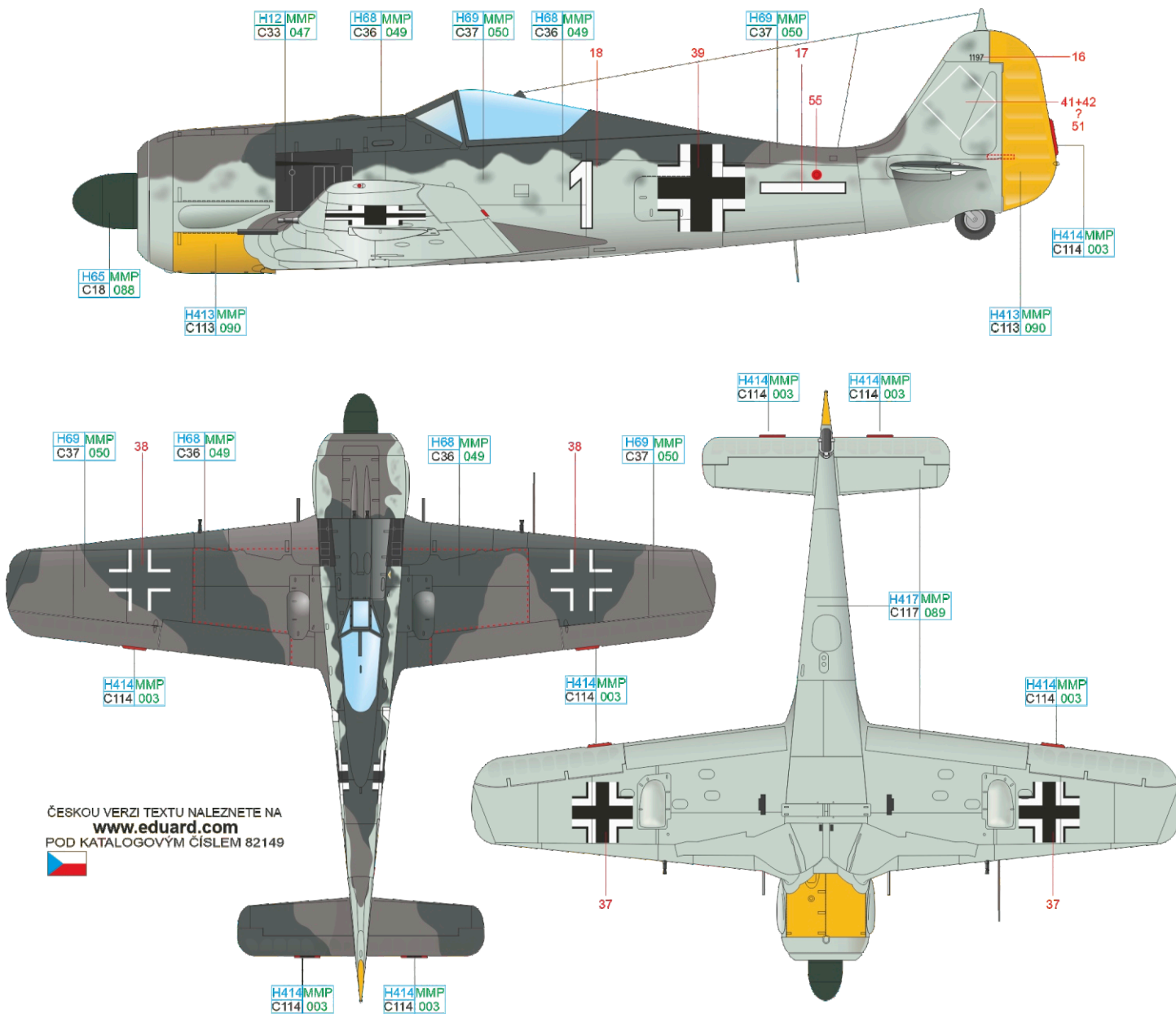


RLM 04	H413 MMP C113 090	RLM 23	H414 MMP C114 003	WHITE	H11 MMP C82 001	BLACK	H12 MMP C33 047
RLM 74	H68 MMP C36 049	RLM 75	H69 MMP C37 050	RLM 76	H417 MMP C117 089	RLM 70	H65 MMP C18 088



# D WNr. 1197, flown by Oblt. Otto Stammberger, CO of 4./JG 26, Abbéville-Drucat, France, May 1943

Aircraft was manufactured by Focke-Wulf in Marienburg in first half of 1943. Camouflage consist of colors RLM 74, 75 and 76 with spinner in RLM 70. Otto "Stotto" Stammberger (1920 - 2001) joined the Luftwaffe on September 1<sup>st</sup>, 1939 and in February 1941 was assigned to 9./JG 26. He scored first victory, a Spitfire over Dieppe, on August 19<sup>th</sup>, 1942. In February 1943 Stammberger was appointed Staffelkapitän of 4./JG 26. On May 13<sup>th</sup>, he was shot down and wounded by Spitfires of No.331 Squadron near St Omer. Stammberger returned to JG 26 in October but was not permitted to fly in combat. He was transferred to 2./JG West based at Biaritz in France. On December 31<sup>st</sup>, 1943, he claimed a B-17 near Bergerac. This was Stammberger's seventh, and last, victory. On January 24<sup>th</sup>, 1944, he was injured during take-off accident. He spent the remainder of the war serving in staff roles with JG 26. Post war Stammberger became the manager of a large department store.



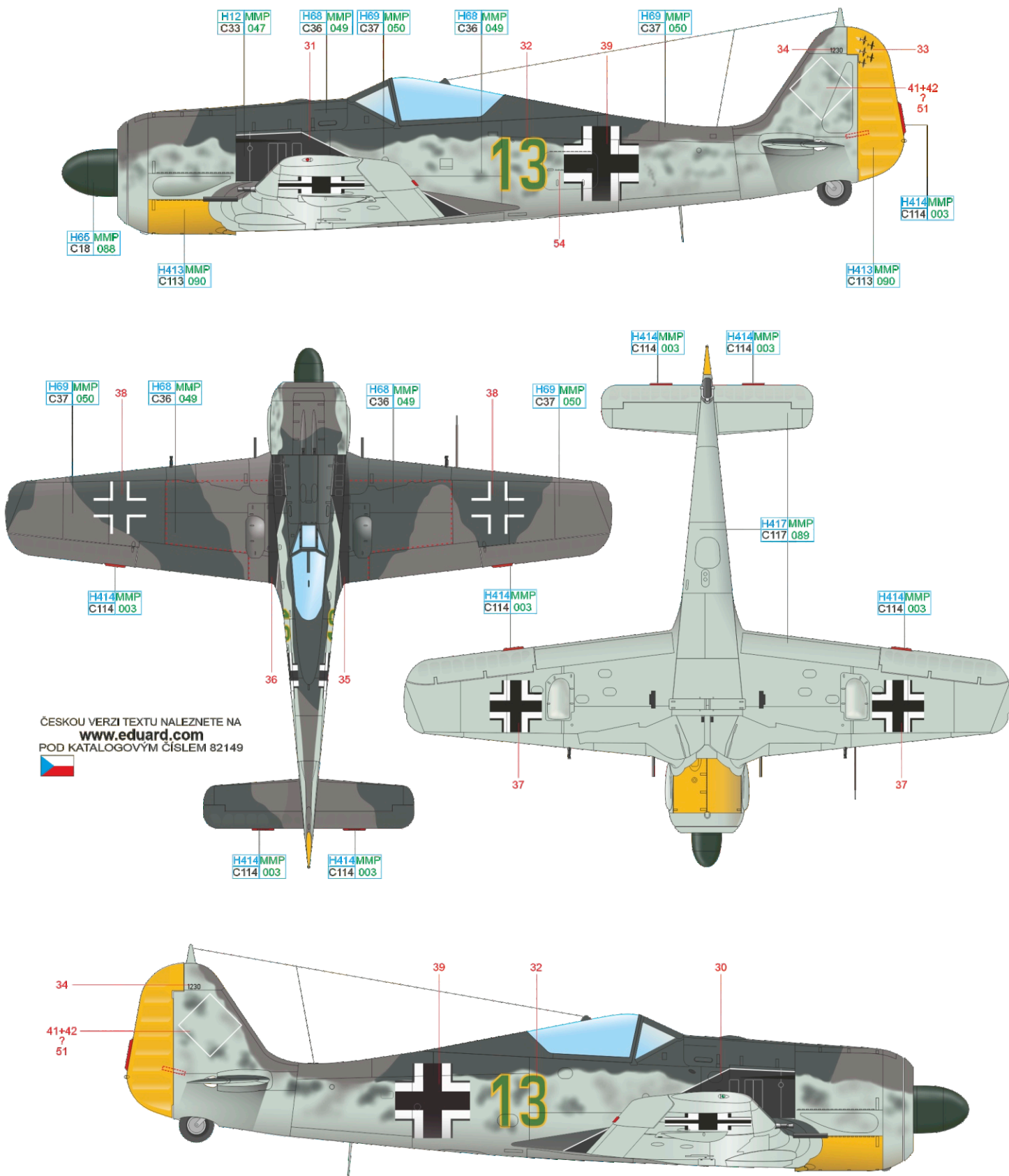
ČESKOU VERZI TEXTU NALEZNETE NA  
[www.eduard.com](http://www.eduard.com)  
 POD KATALOGOVÝM ČÍSLEM 82149



RLM 04	H413 MMP C113 090	RLM 23	H414 MMP C114 003	BLACK	H12 MMP C33 047
RLM 74	H68 MMP C36 049	RLM 75	H69 MMP C37 050	RLM 76	H417 MMP C117 089
				RLM 70	H65 MMP C18 088

# E WNr. 1230, flown by Obstlt. Walter Oesau, CO of JG 2, Beaumont le Roger, France, June 1943

Aircraft was manufactured by Focke-Wulf in Marienburg in first half of 1943. Camouflage consist of colors RLM 74, 75 and 76 with spinner in RLM 70. Rudder shows five Oesau's victories (Nr. 101 - 105) against four-engined bombers. Walter "Gulle" Oesau (1913) joined JG "Richthofen" before the war and in April 1938 was transferred to Legion Condor in Spain. In August 1940 as CO of 7./JG 51 he was awarded with Knight's Cross after gaining 20 victories in WWII. He briefly led III./JG 51 and in November was appointed CO of III./JG 3. On July 15<sup>th</sup>, 1941, his victory tally had reached 80 and he was awarded with Swords. At the end of July 1941 he took command of JG 2 in France. Oesau recorded his 100<sup>th</sup> victory on October 26<sup>th</sup>, 1941. In November 1943 Oberst Oesau was appointed Kommodore of JG 1 following the death of Oberst Hans Philipp. On May 11<sup>th</sup>, 1944, Oesau, was killed by P-38s in Bf 109G-6/AS (W.Nr. 20601) "Green 13" near St. Vith. "Gulle" Oesau scored 127 victories in over 300 combat missions. Nine in Spain, 74 in the West and 44 over the Eastern front.



ČESKOU VERZI TEXTU NALEZNETE NA  
[www.eduard.com](http://www.eduard.com)  
 POD KATALOGOVÝM ČÍSLEM 82149



RLM 04	H413MMP C113 090	RLM 23	H414MMP C114 003	BLACK	H12 MMP C33 047
RLM 74	H68 MMP C36 049	RLM 75	H69 MMP C37 050	RLM 76	H417MMP C117 089
				RLM 70	H65 MMP C18 088

# F flown by Maj. Hans Philipp, CO of JG 1, Deelen, the Netherlands, July 1943

Camouflage consist of colors RLM 74, 75 and 76 with spinner in RLM 70 and heavy mottling on fuselage in RLM 74, 75 and 02. It is personal mount of Kommodore Philipp, the "Minke" and "Pinke" refer to names of his dachshunds. In June 1943 this unusual ship was flown also by Adjutant of I./JG 1 Lt. Eberhard Burath (7 v.). Hans "Fips" Philipp (1917) was born in Saxony. In 1938 he started to serve in Stuka unit, but before outbreak of war he was transferred to 1./JG 76 (later 4./JG 54 "Grünherz"). Philipp scored first victory in Poland and added seven more during French campaign. In October 1940 he was awarded with Knight's Cross after 20 victories. During attack against Yugoslavia he claimed two Bf 109s shot down. In war against Soviet Union he scored 178 victories and from February 1942 he led I./JG 54. In April 1943 he was appointed as CO of JG 1 in the Netherlands. On October 8<sup>th</sup>, 1943, he was killed in combat with B-17s and US fighters. Philipp was awarded with Knight's Cross with Oak Leaves and Swords. He scored 206 victories in over 500 missions.

