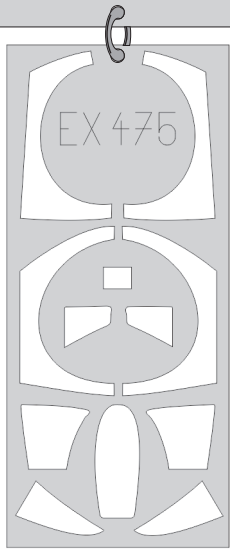


**eduard**  
**MASK**

# F-4D 1/48

The die-cut mask for accurate canopy frame painting of the  
*Academy 12300* scale *1/48 KIT*

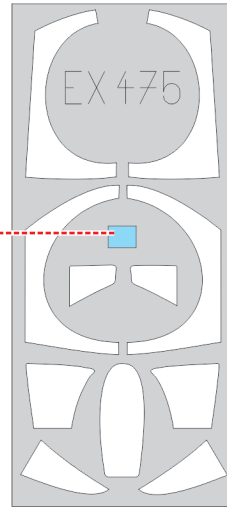
**EX 475**



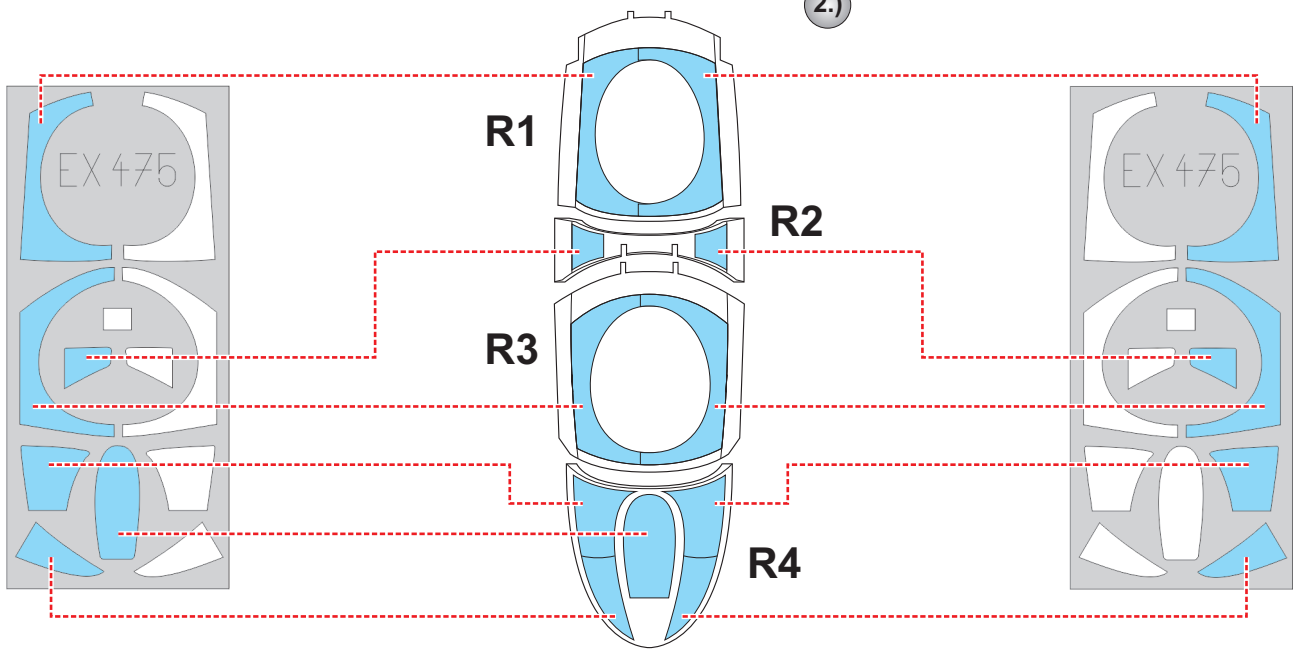
1.)



R10

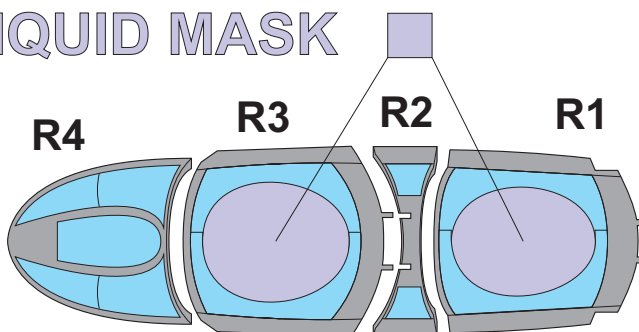


2.)



3.)

**LIQUID MASK**



4.)

