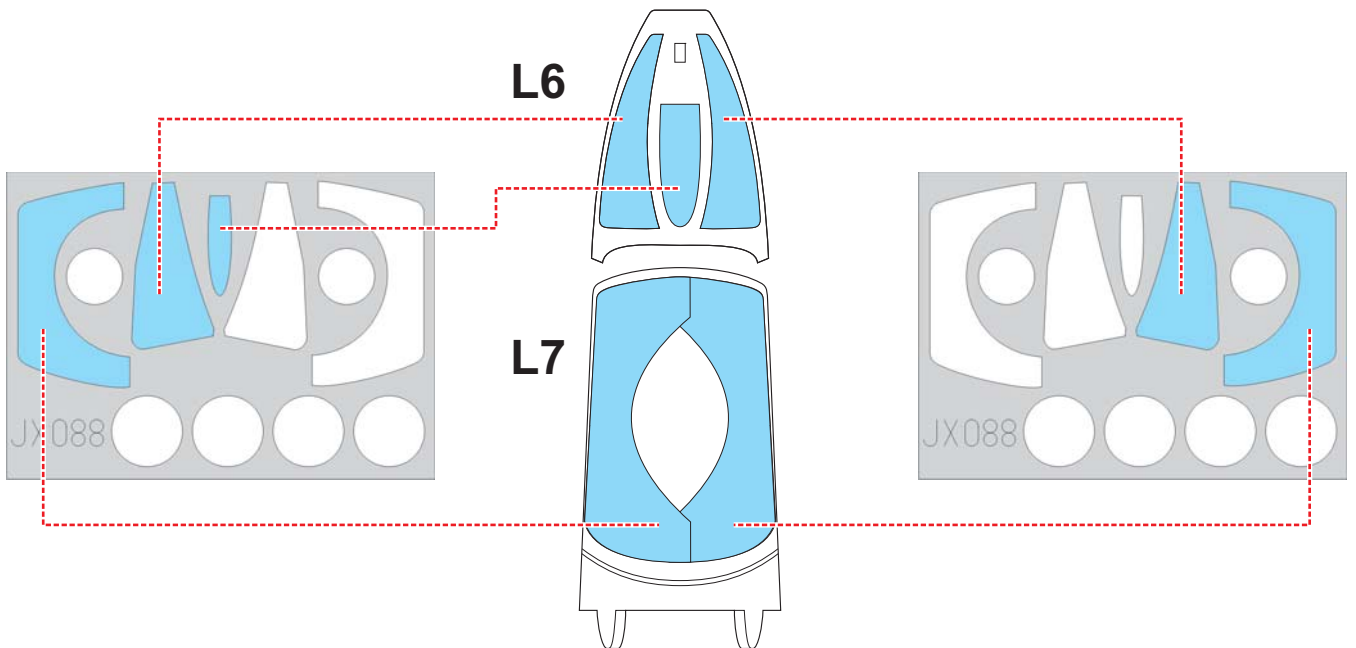
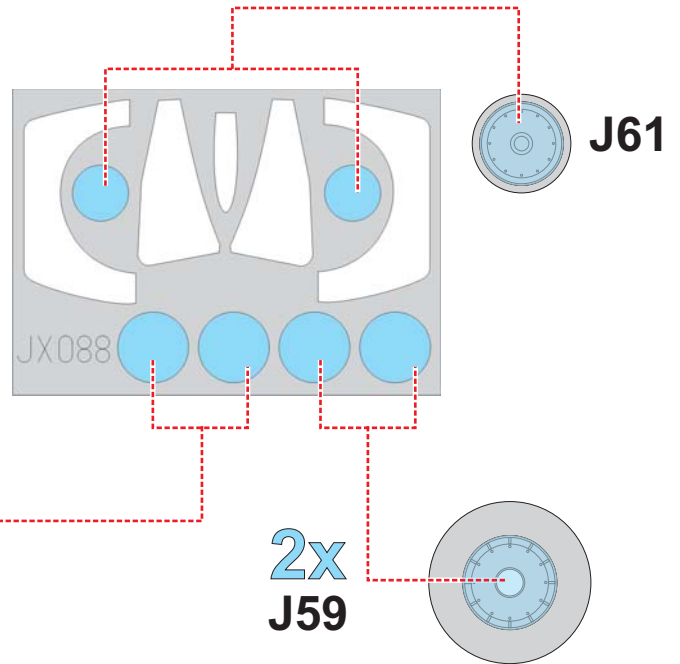
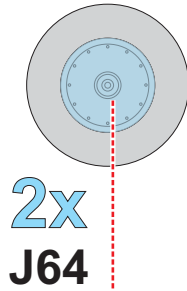
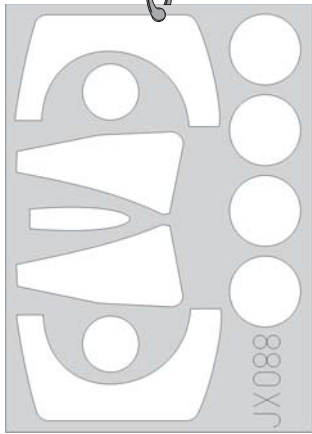


eduard
MASK

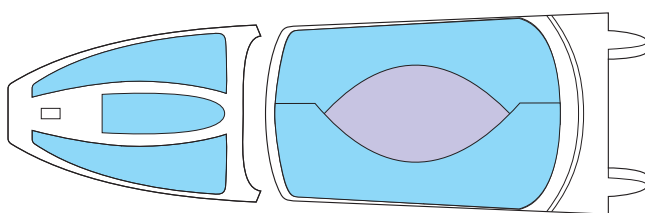
F-8E 1/32

The die-cut mask for accurate canopy frame painting of the
Trumpeter scale 1/32 KIT

JX 088



LIQUID MASK ■



L6

L7

