

eduard
Express Mask

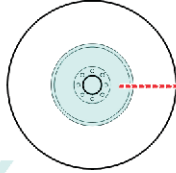
D-520

The die-cut mask for accurate canopy frame painting of the
Tamiya 1/48 KIT

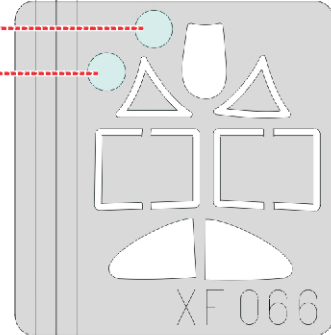
XF 066



B10

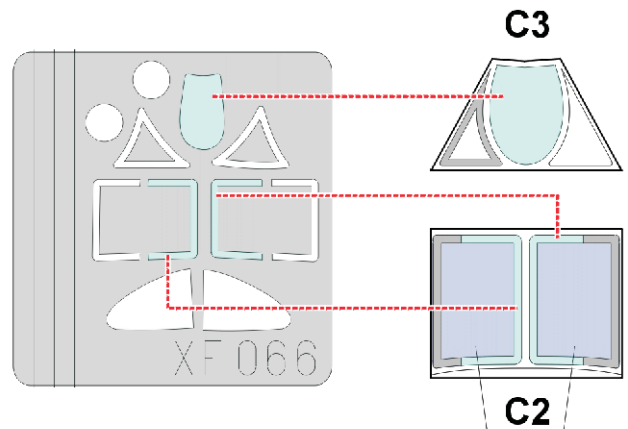
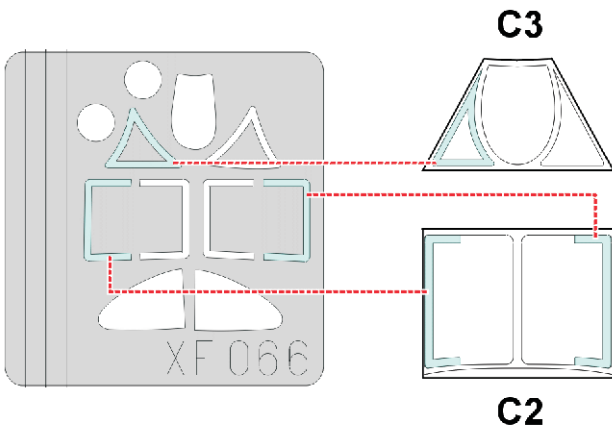


2x

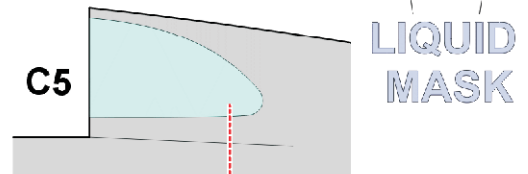
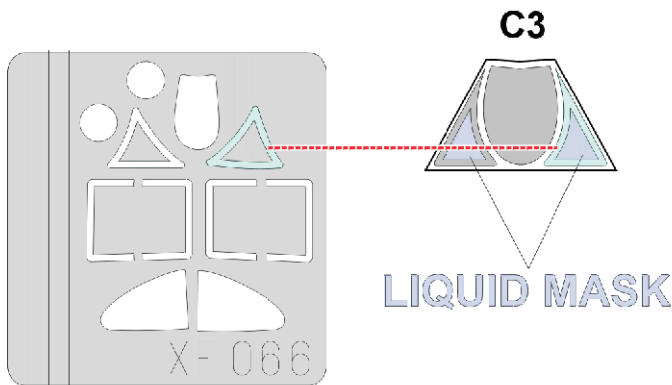


1.)

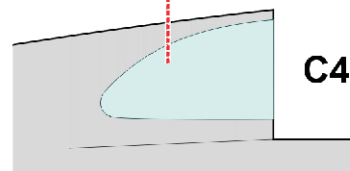
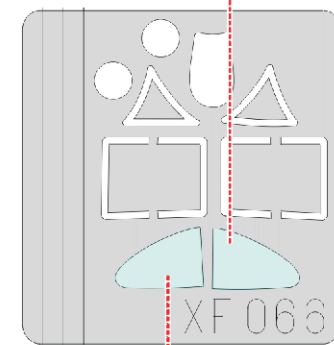
2.)



3.)



LIQUID MASK



C4