

eduard



Tornado ECR 1/48

Instruction Sheet

Limited Edition

11154-NAVI

ATTENTION



UPOZORNĚNÍ



ACHTUNG



ATTENTION



注意



Carefully read instruction sheet before assembling. When you use glue or paint, do not use near open flame and use in well ventilated room. Keep out of reach of small children. Children must not be allowed to suck any part, or pull vinyl bag over the head.



Před započítím stavby si pečlivě prostudujte stavební návod. Při používání barev a lepidel pracujte v dobře větrané místnosti. Lepidla ani barvy nepoužívejte v blízkosti otevřeného ohně. Model není určen malým dětem, mohlo by dojít k požití drobných dílů.

INSTRUCTION SIGNS * INSTR. SYMBOLS * INSTRUKTION SINNBILDEN * SYMBOLES * 記号の説明

OPTIONAL
VOLBABEND
OHNOUTSAND
BROUSITOPEN HOLE
VYVRTAT OTVORSYMETRICAL ASSEMBLY
SYMETRICKÁ MONTÁŽREMOVE
ODŘÍZNOUTREVERSE SIDE
OTOČITAPPLY EDUARD MASK
AND PAINT
POUŽIT EDUARD MASK
NABARVIT

PARTS



DÍLY



TEILE

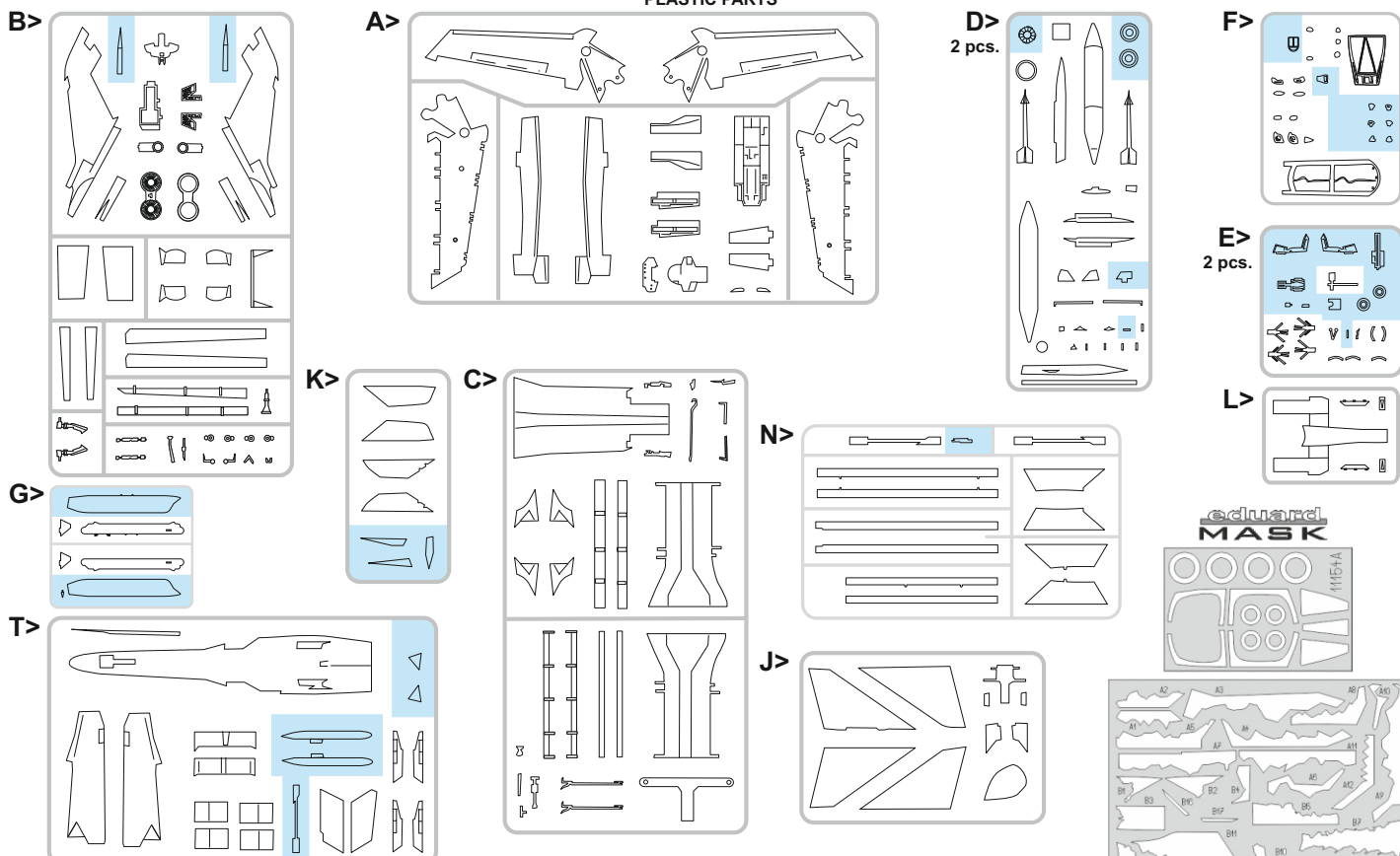


PIÈCES

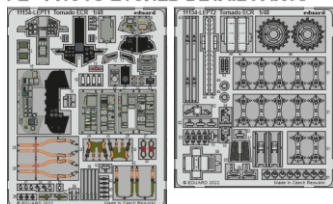


部品

PLASTIC PARTS



PE - PHOTO ETCHED DETAIL PARTS



FILM



RP - RESIN PARTS



R1 2pcs.



R2

R3

R4 2pcs.



R5 2pcs.



R6 2pcs.



R7 2pcs.

R8 2pcs.



R9 2pcs.

R10 2pcs.



R11 2pcs.

R16

-Parts not for use. -Teile werden nicht verwendet. -Pièces à ne pas utiliser. -Tyto díly nepoužívejte při stavbě. - 使用しない部品

COLOURS



BARVY



FARBEN



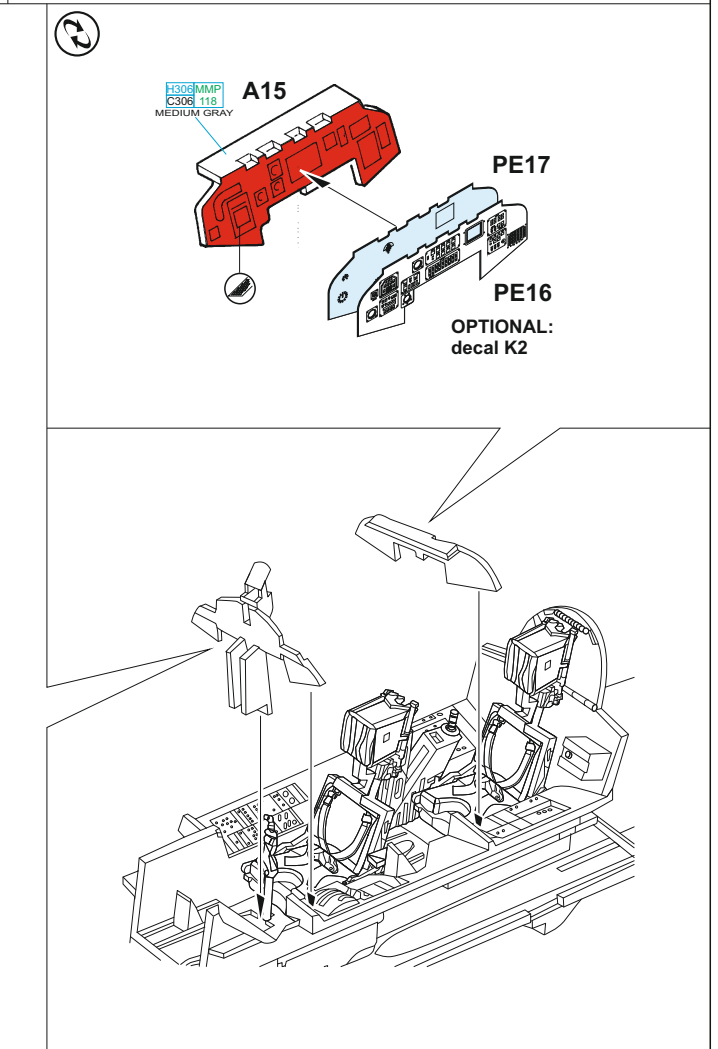
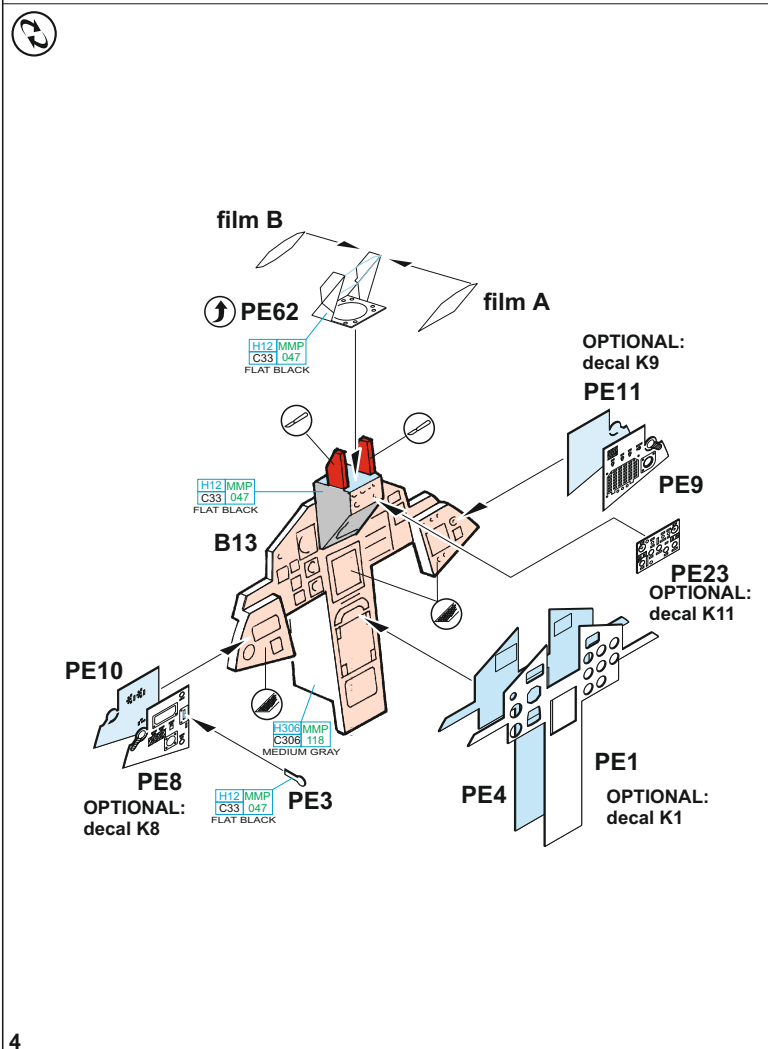
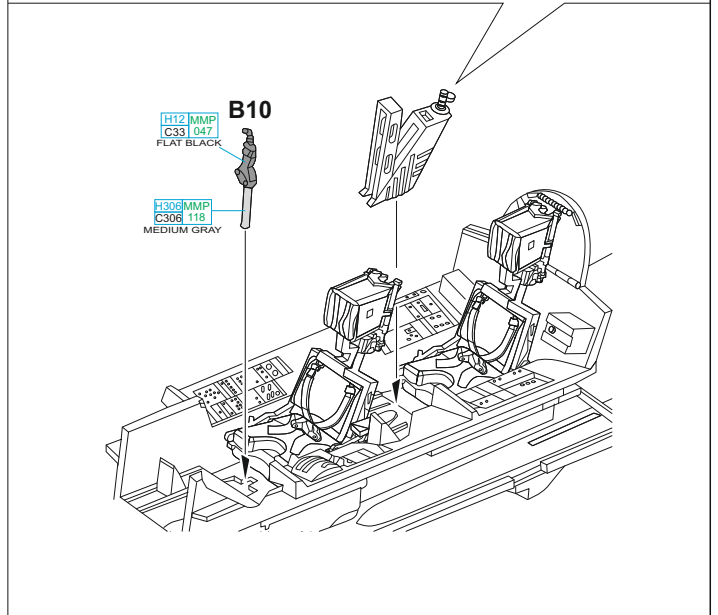
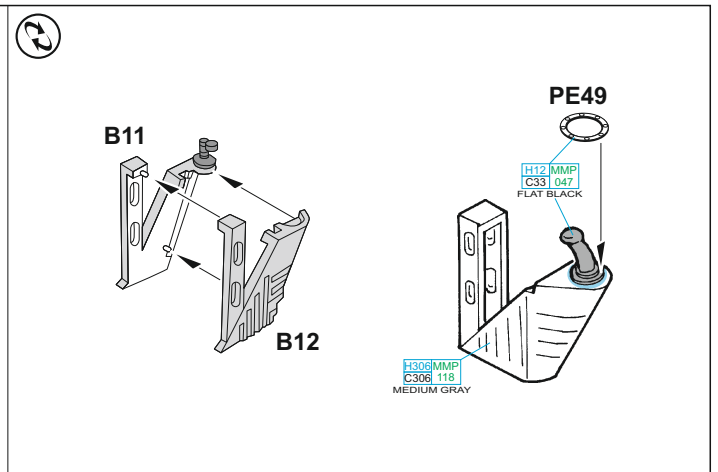
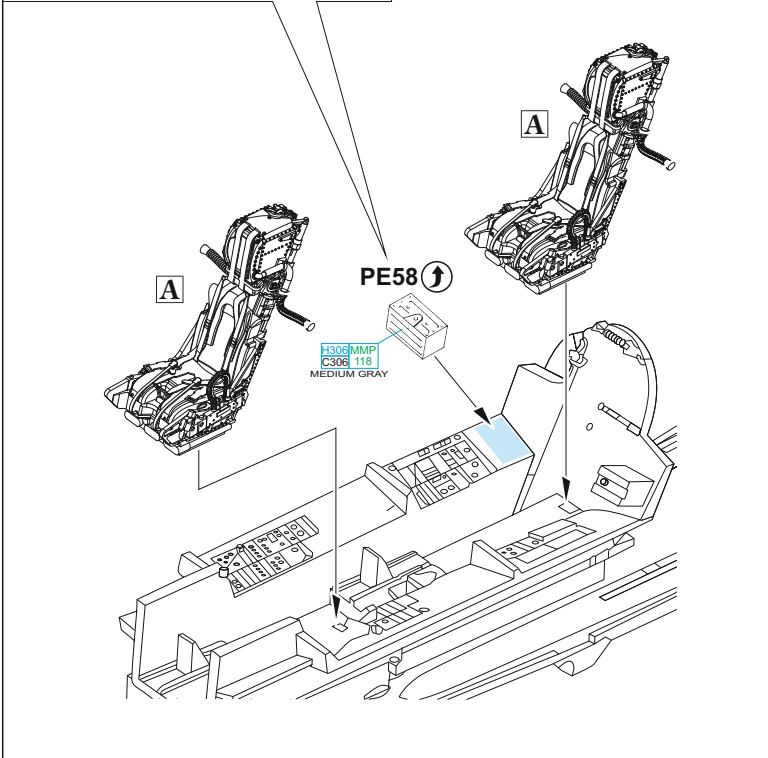
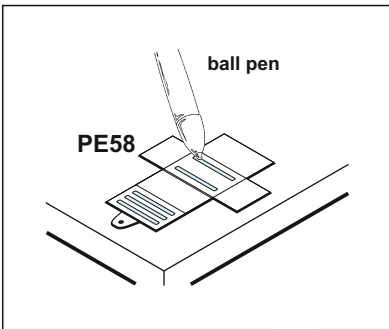
PEINTURE

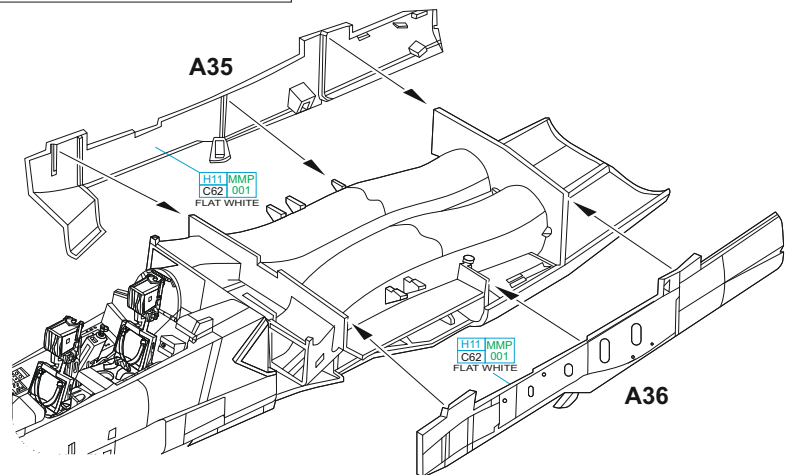
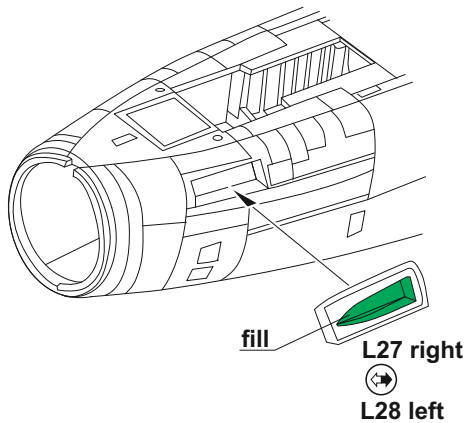
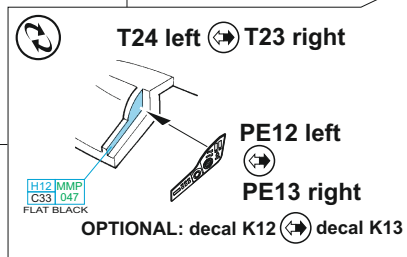
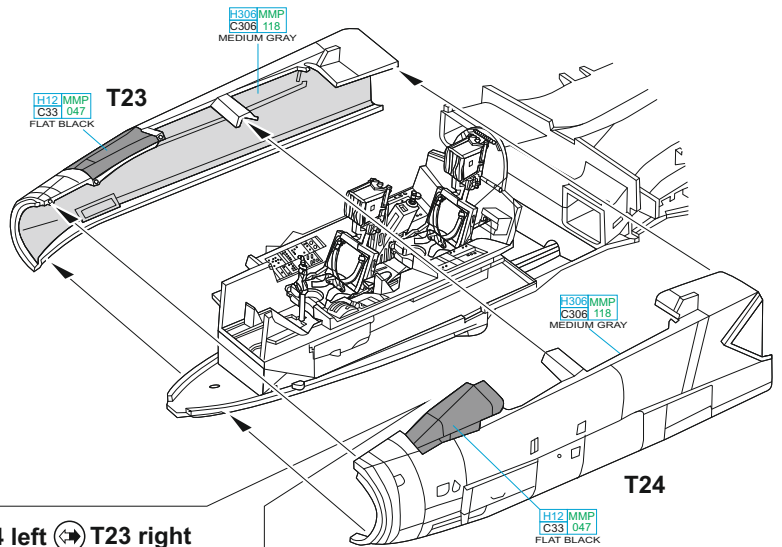
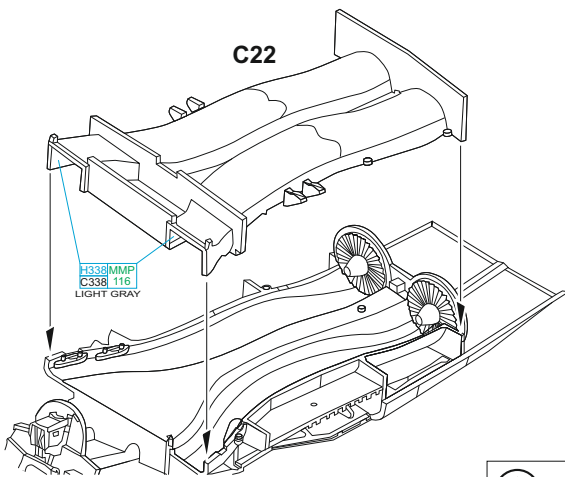
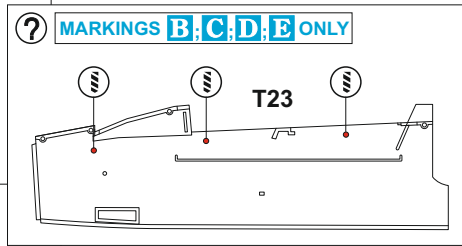
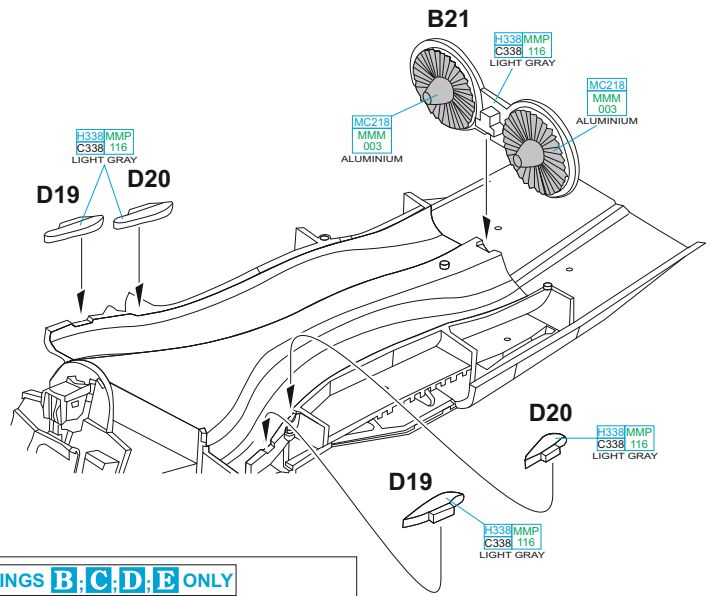
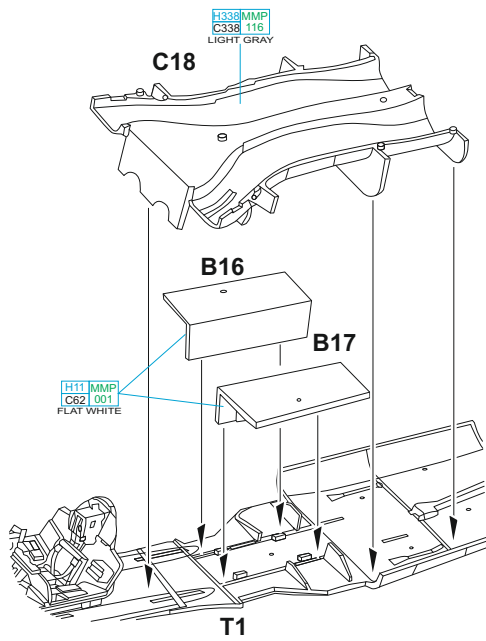


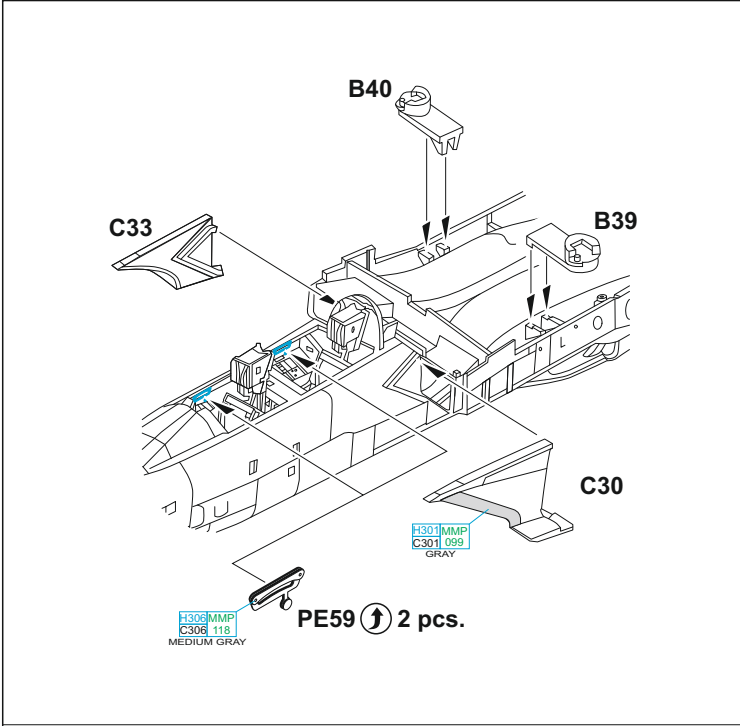
色

GSI Creos (GUNZE)		MISSION MODELS	
AQUEOUS	Mr.COLOR	PAINTS	
H11	C62	MMP-001	FLAT WHITE
H12	C33	MMP-047	FLAT BLACK
H25	C34		SKY BLUE
H44	C51		FLESH
H52	C12	MMP-091	OLIVE DRAB
H77	C137	MMP-040	TIRE BLACK
H90	C47		CLEAR RED
H94	C138		CLEAR GREEN
H301	C301	MMP-099	GRAY
H306	C306	MMP-118	MEDIUM GRAY
H307	C307	MMP-074	GRAY
H308	C308	MMP-073	GRAY
H309	C309	MMP-031	GREEN
H317	C317	MMP-064	GRAY
H323	C323		LIGHT BLUE

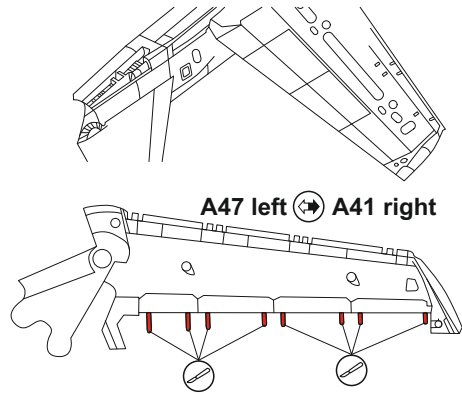
GSI Creos (GUNZE)		MISSION MODELS	
AQUEOUS	Mr.COLOR	PAINTS	
H328	C328		BLUE
H331	C331		DARK SEAGRAY
H334	C334	MMP-102	BARLEY GRAY
H337	C337		GRAYISH BLUE
H338	C338	MMP-116	LIGHT GRAY
H401			DARK GRAY
H405	C126		OLIVE GREEN
H413	C113	MMP-090	YELLOW
H421	C121	MMP-052	GREEN
Mr.METAL COLOR		METALLICS	
MC213		MMM-006	STAINLESS
MC214		MMM-001	DARK IRON
MC218		MMM-001	ALUMINIUM
Mr.COLOR SUPER METALLIC		METALLICS	
SM201		MMM-001	SUPER FINE SILVER



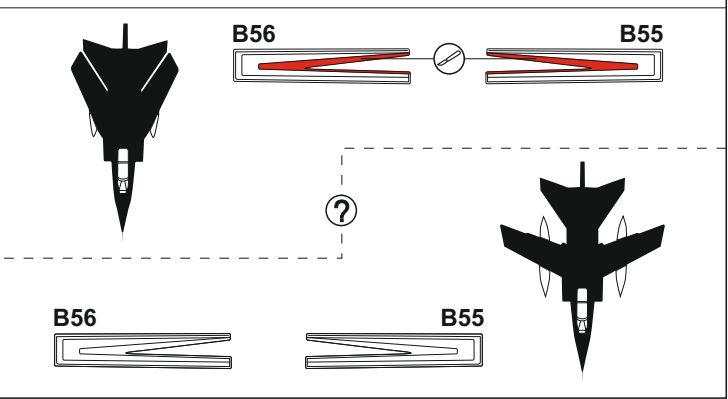
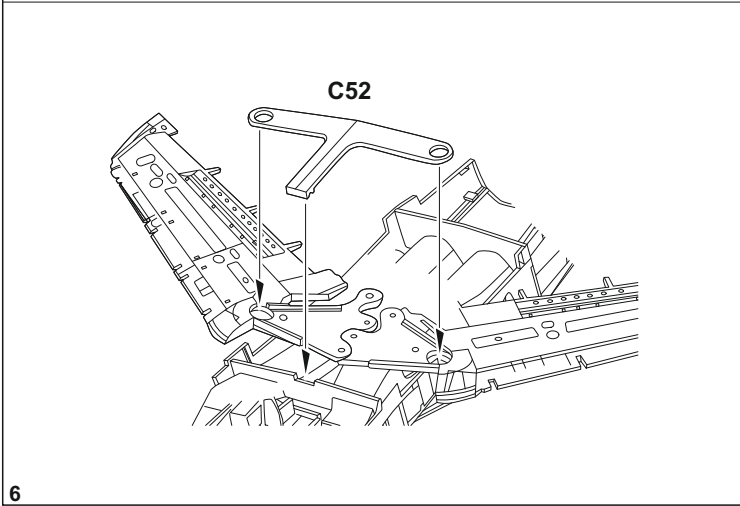
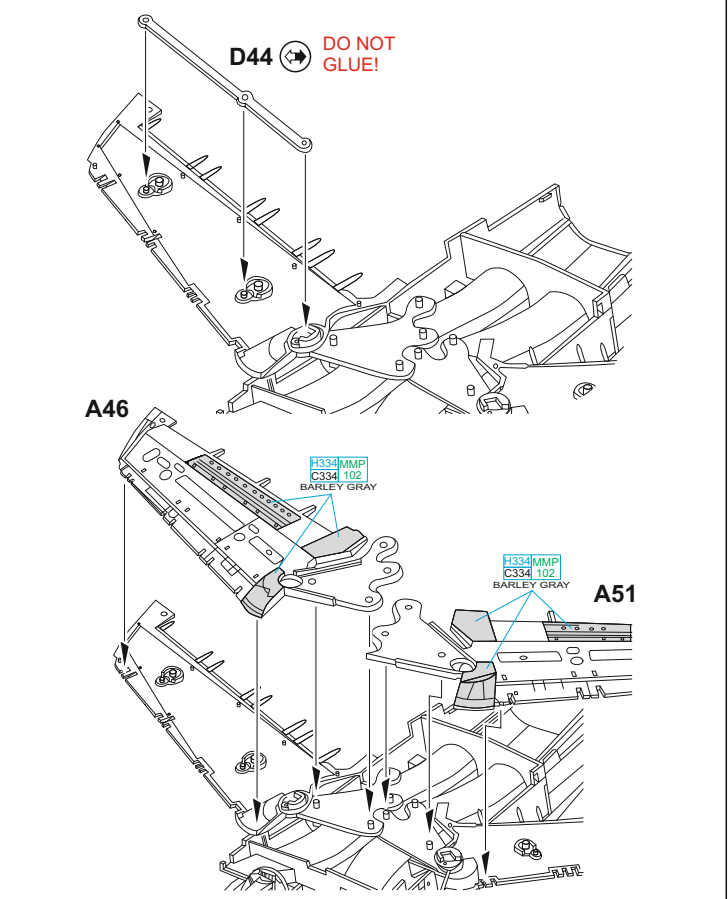
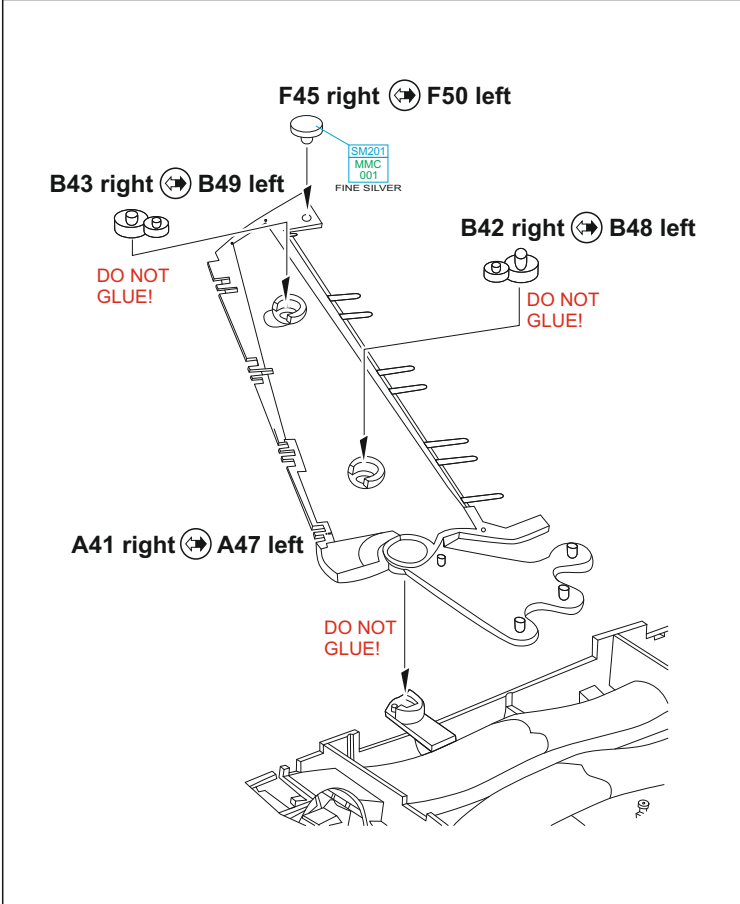
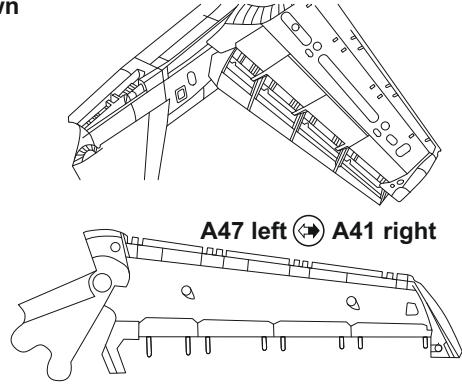


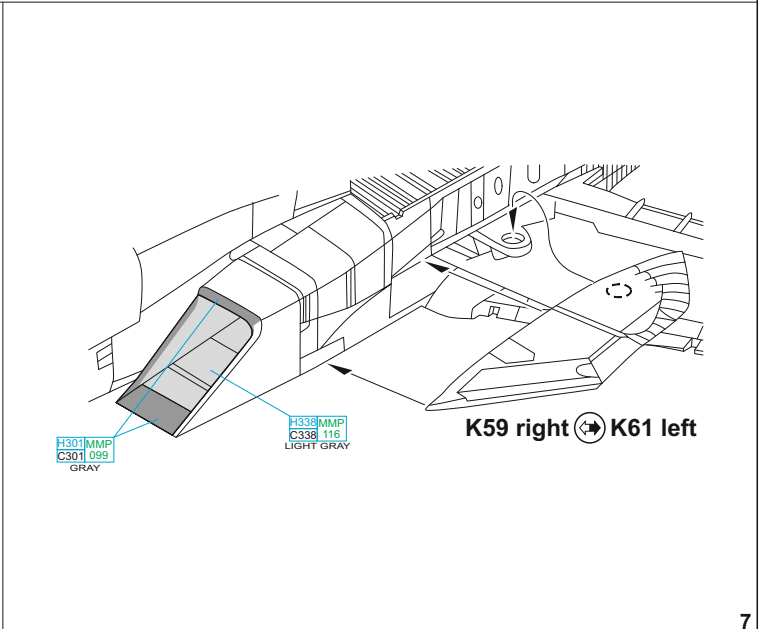
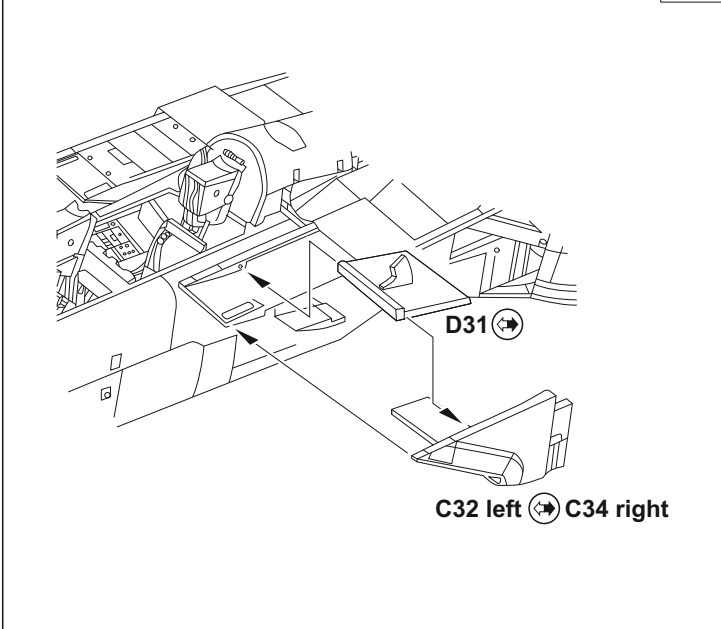
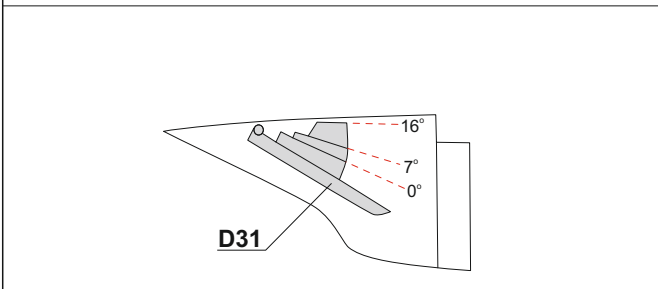
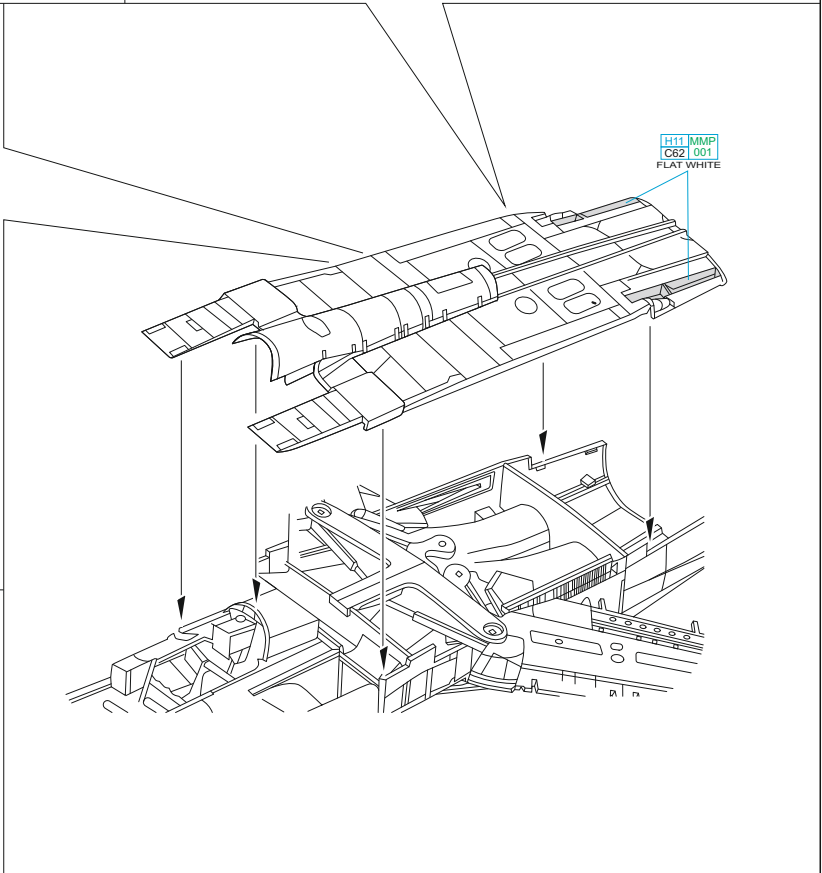
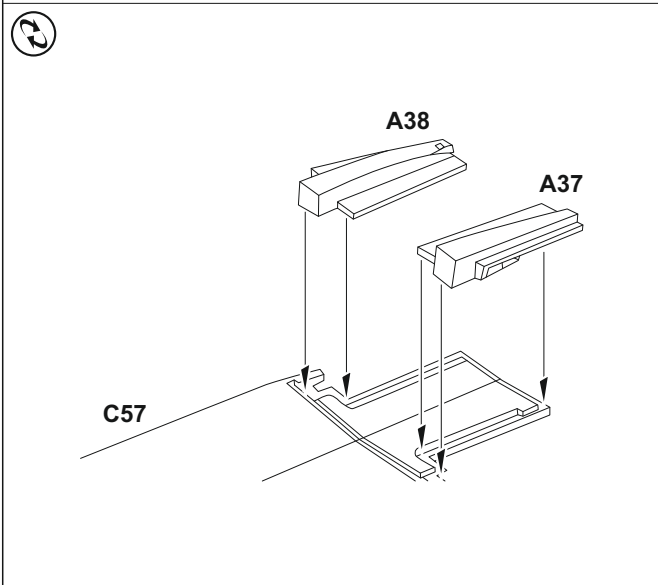
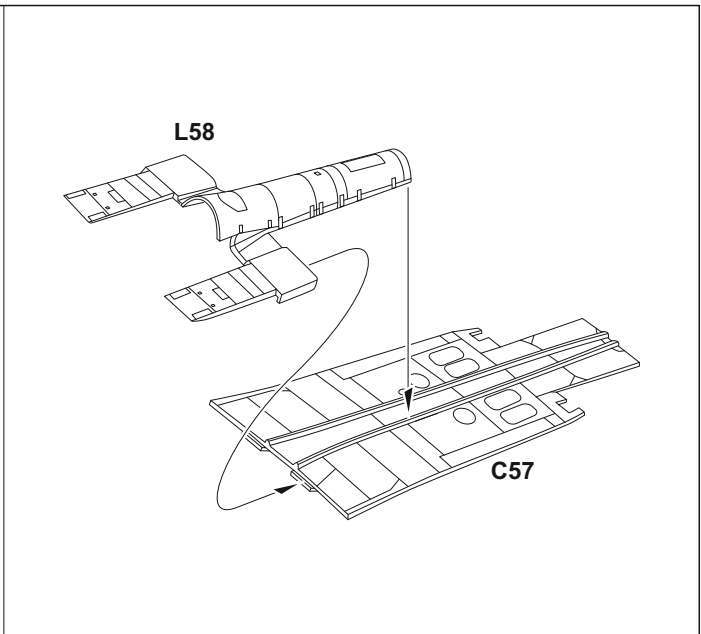
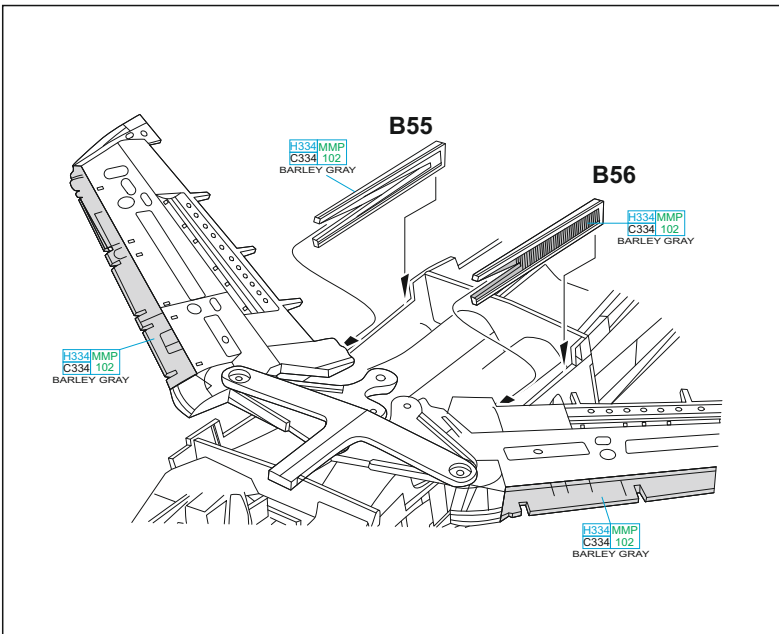


Flaps up



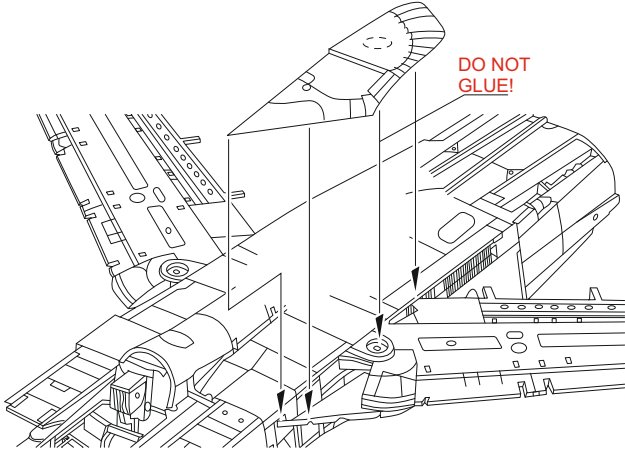
Flaps down



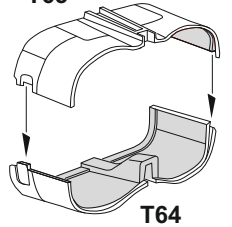


K62 left ↔ K60 right

DO NOT
GLUE!



T65



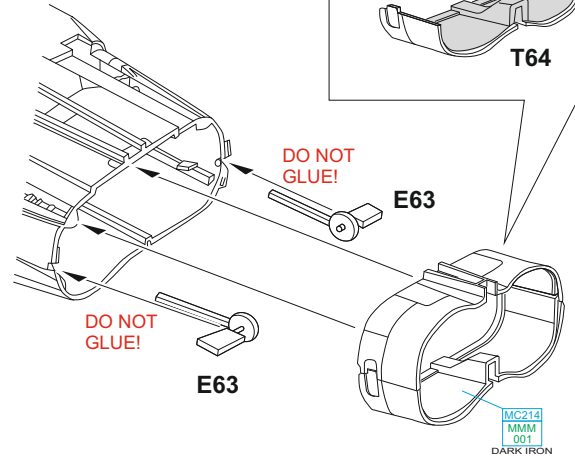
T64

DO NOT
GLUE!

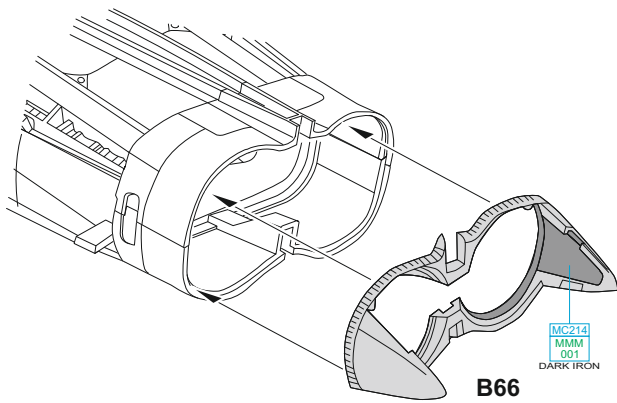
E63

DO NOT
GLUE!

E63



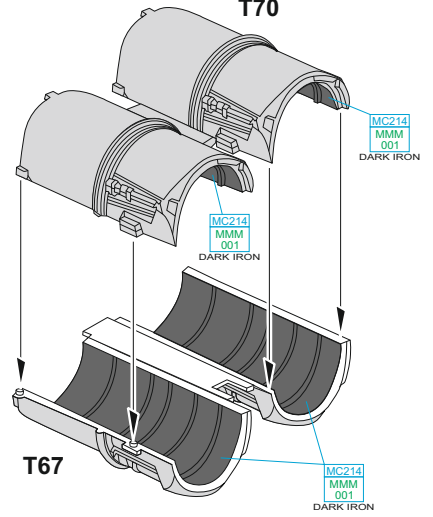
MC214
MMM
001
DARK IRON



B66

MC214
MMM
001
DARK IRON

T70



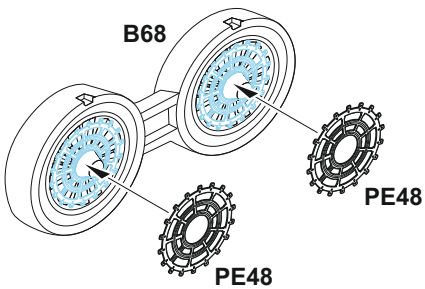
MC214
MMM
001
DARK IRON

MC214
MMM
001
DARK IRON

T67

MC214
MMM
001
DARK IRON

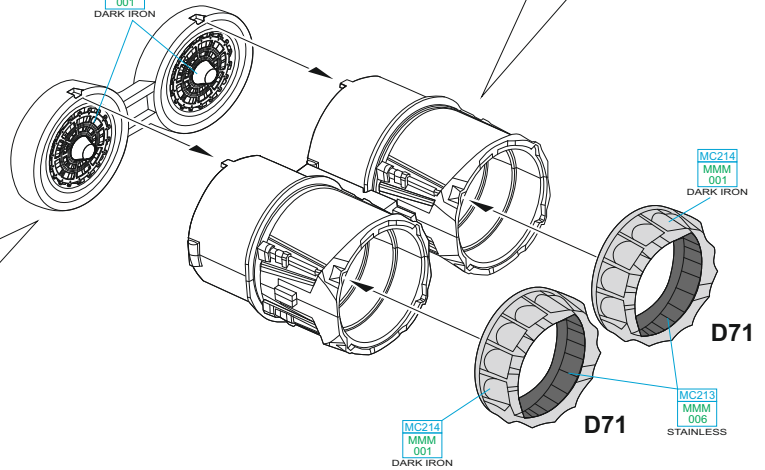
B68



PE48

PE48

MC214
MMM
001
DARK IRON



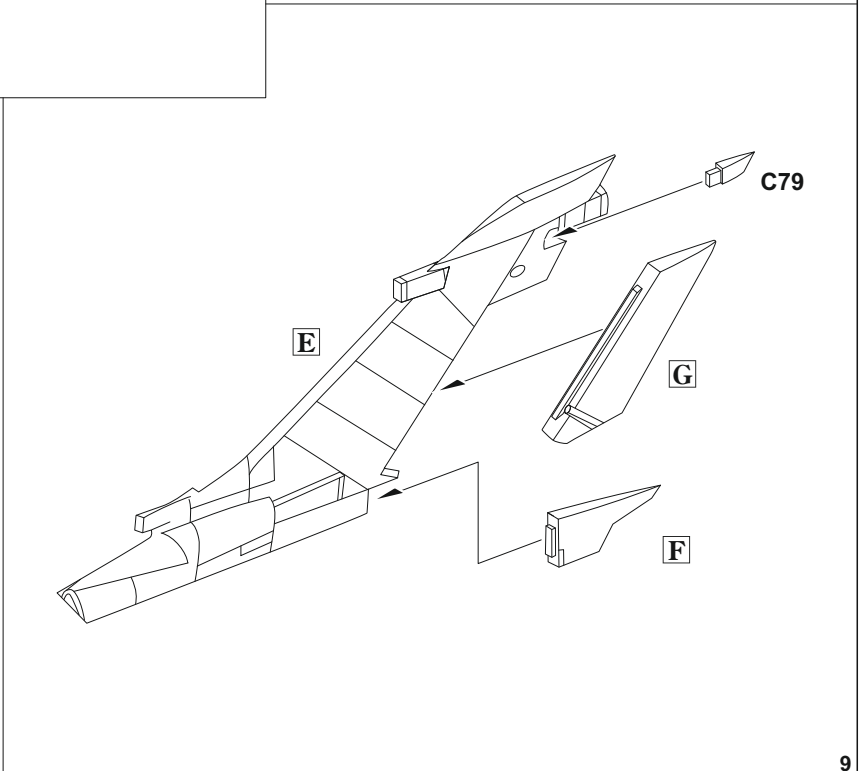
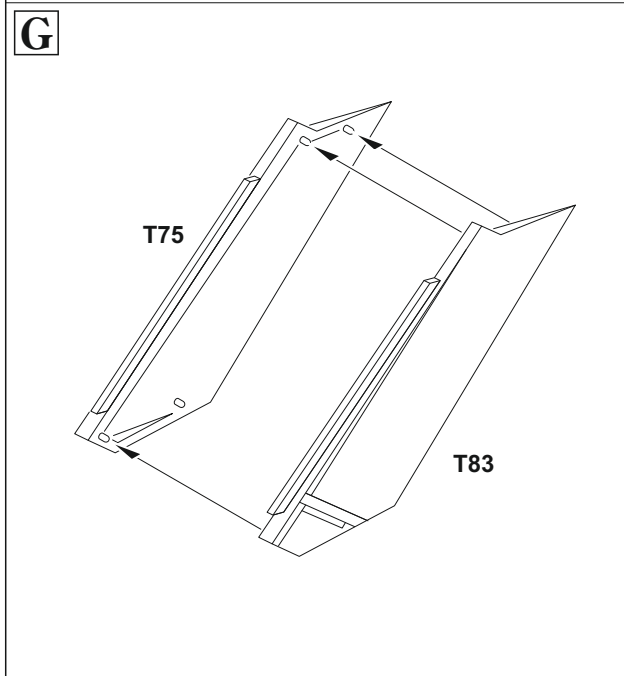
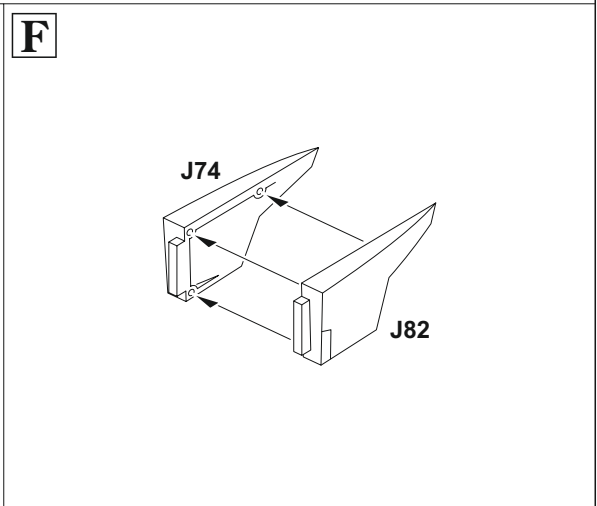
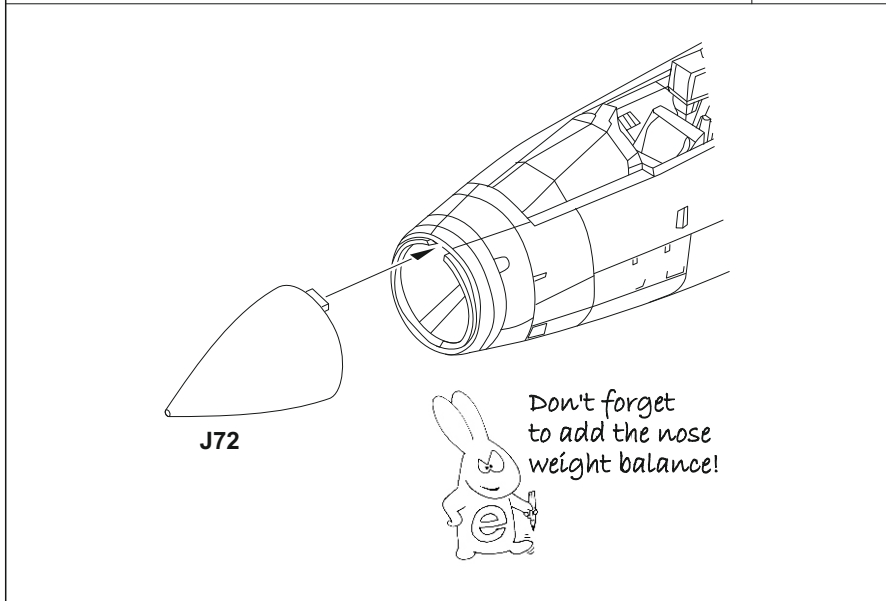
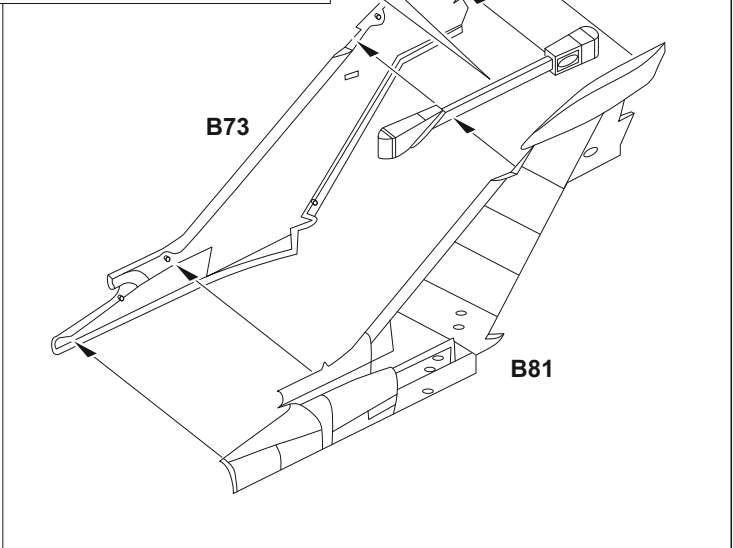
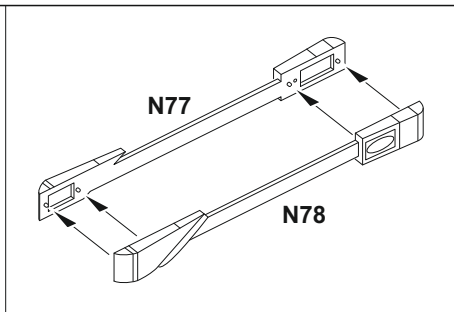
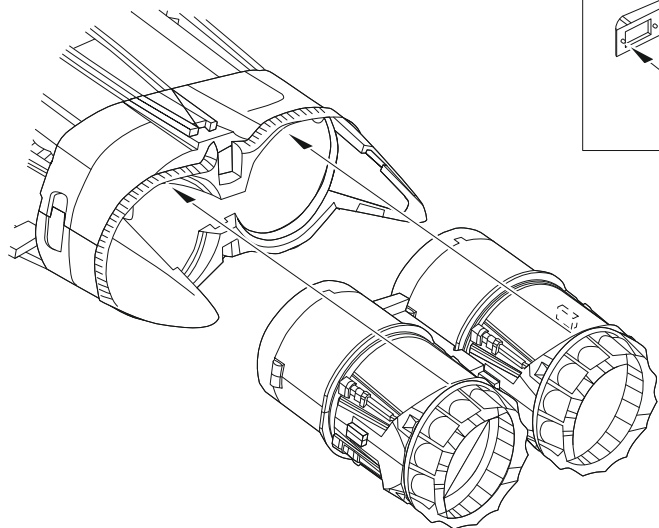
MC214
MMM
001
DARK IRON

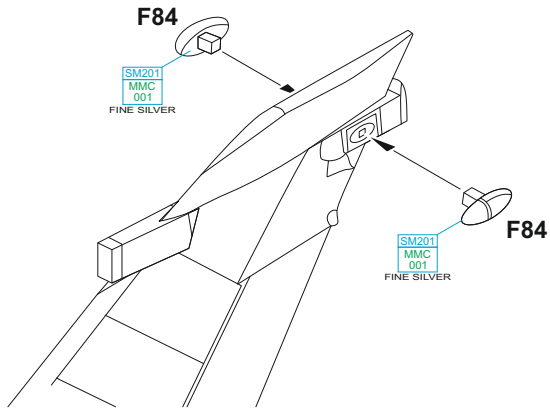
D71

D71

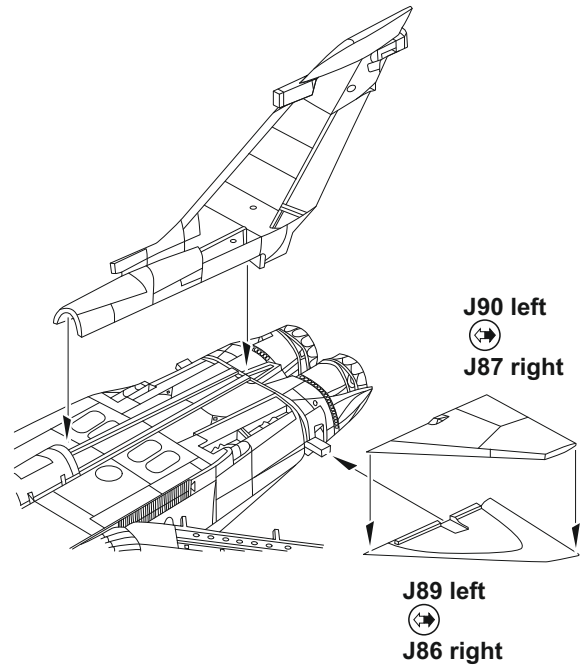
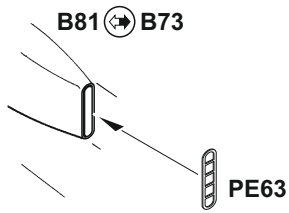
MC213
MMM
005
STAINLESS

MC214
MMM
001
DARK IRON

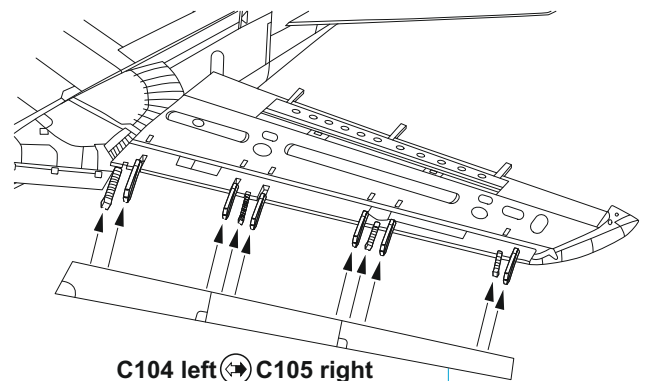
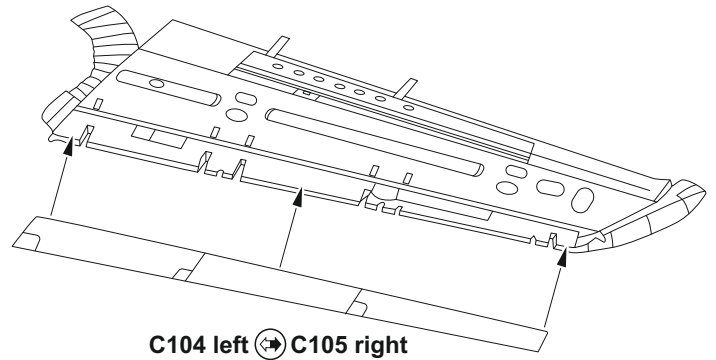




H 2 pcs.

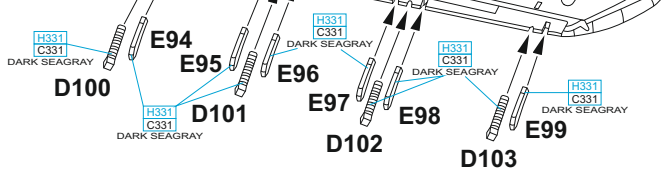


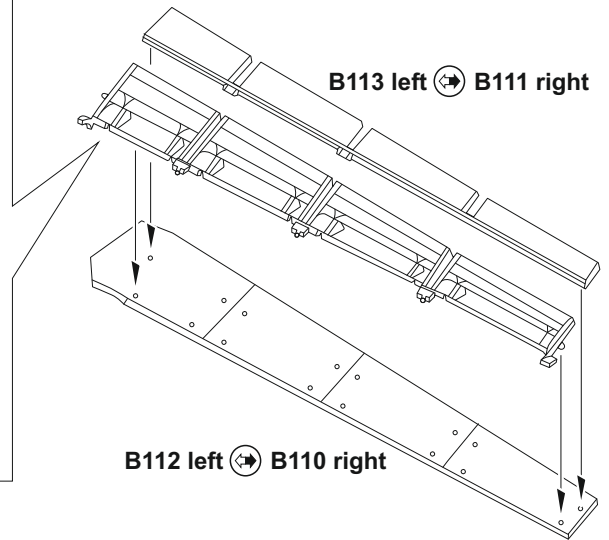
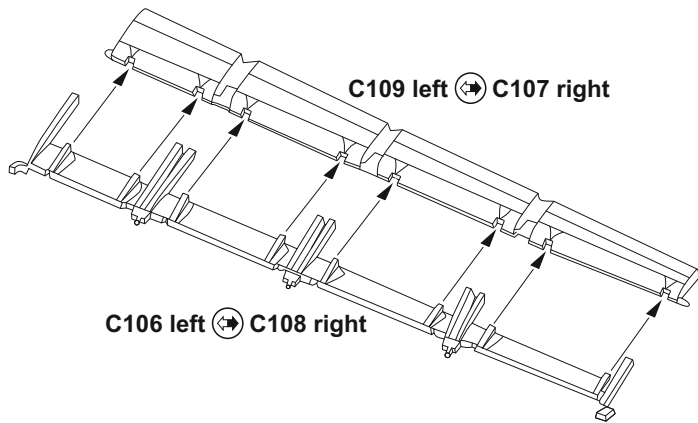
Slats up



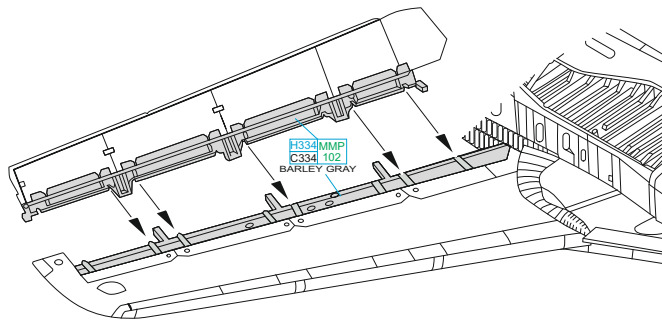
**FOR ANNIVERSARY TORNADO
USE COLOR AS ON MARKING **D****

Slats down

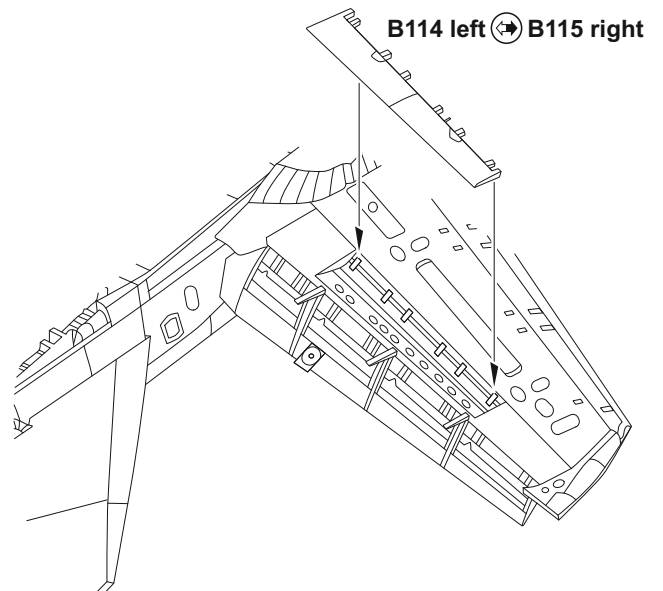
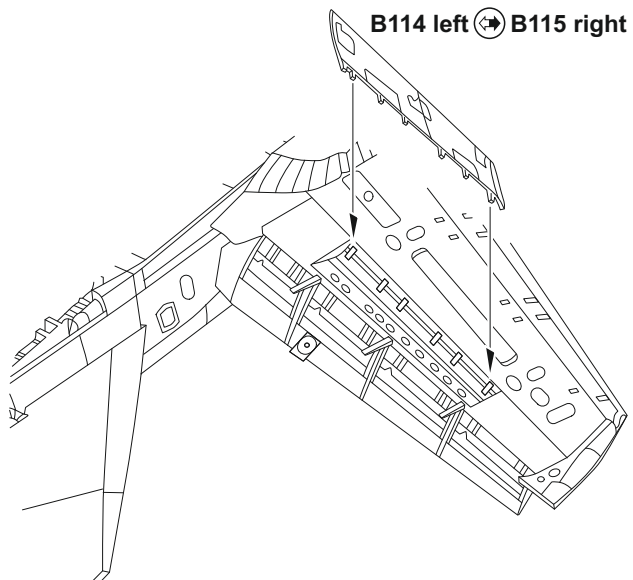
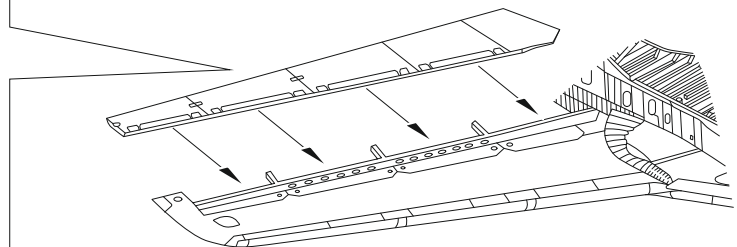
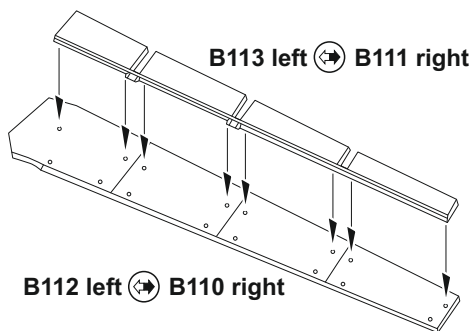




Flaps down



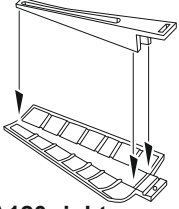
Flaps up



J

A37 right

A38 left



A120 right

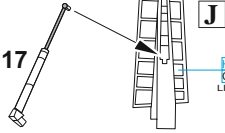
A118 left



D117

J

F338 MMP
C338 116
LIGHT GRAY

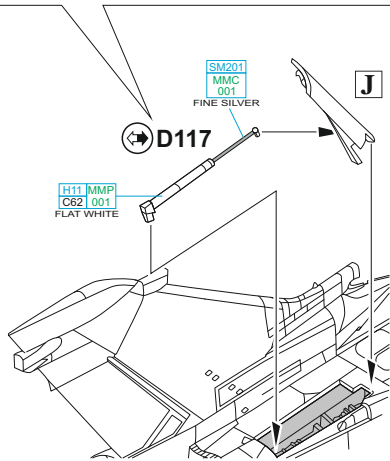


SM201
MMC
001
FINE SILVER

D117

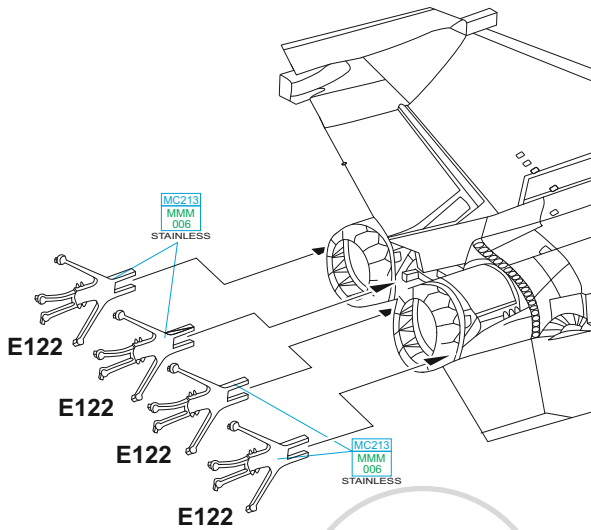
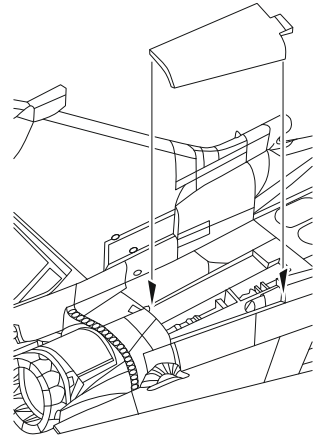
J

H111 MMP
C621 001
FLAT WHITE



?

A120 right → A118 left



MC213
MMM
006
STAINLESS

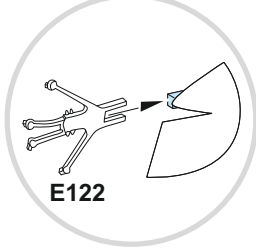
E122

E122

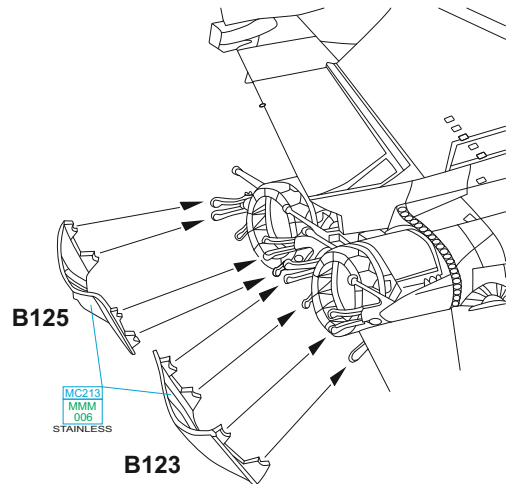
E122

E122

MC213
MMM
006
STAINLESS



E122

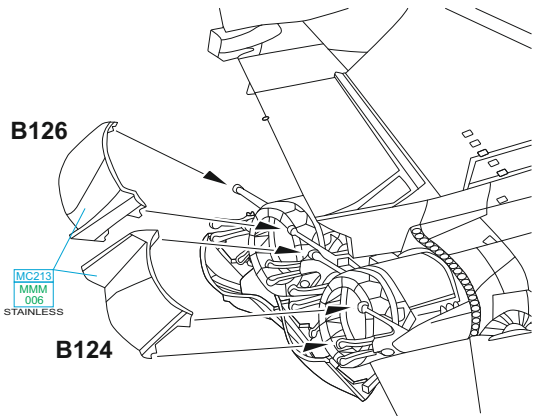


B125

MC213
MMM
006
STAINLESS

B123

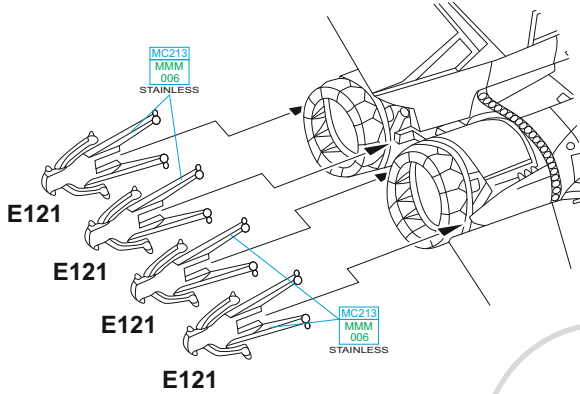
?



B126

MC213
MMM
006
STAINLESS

B124



MC213
MMM
006
STAINLESS

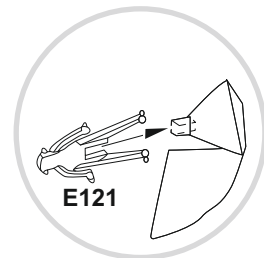
E121

E121

E121

E121

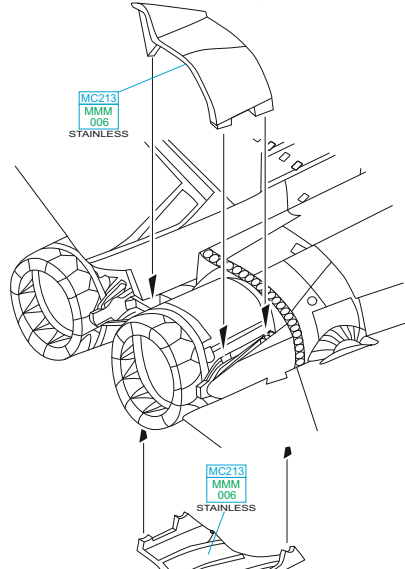
MC213
MMM
006
STAINLESS



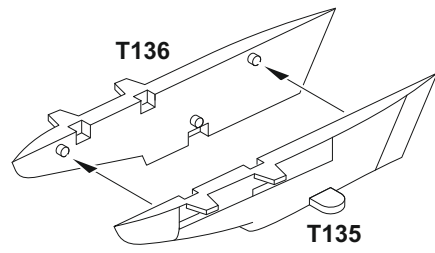
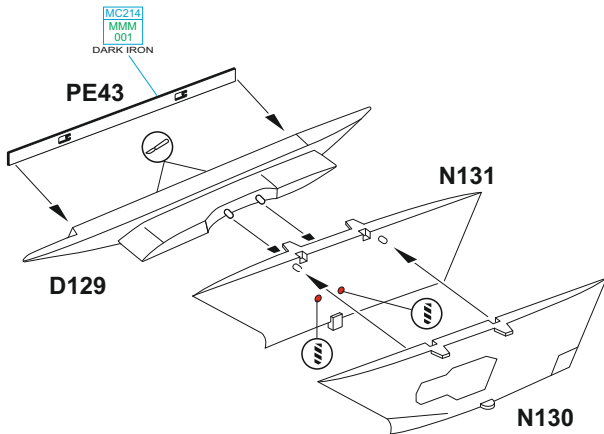
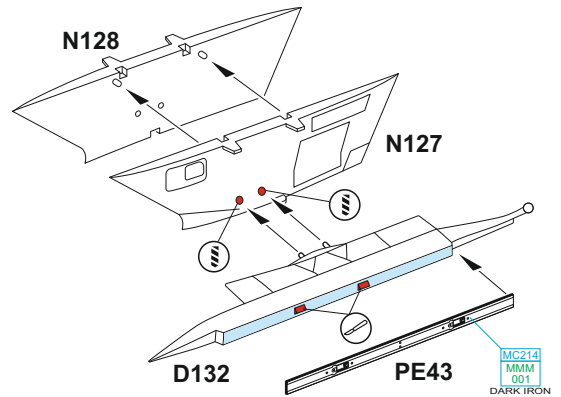
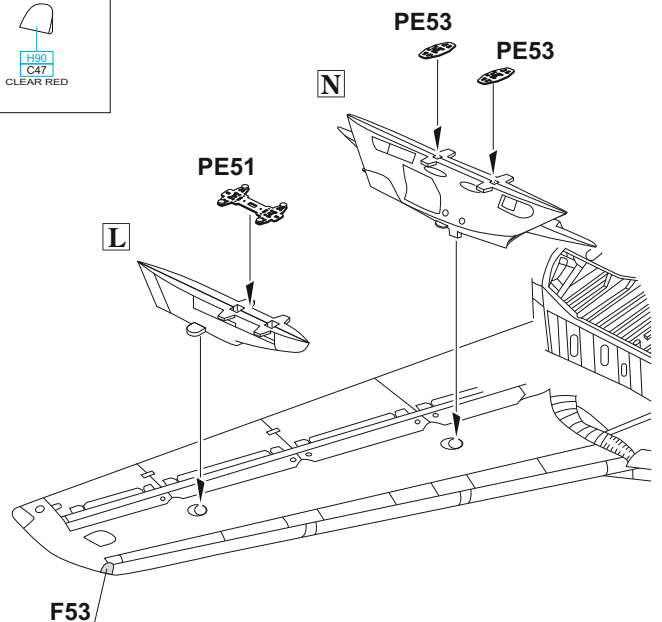
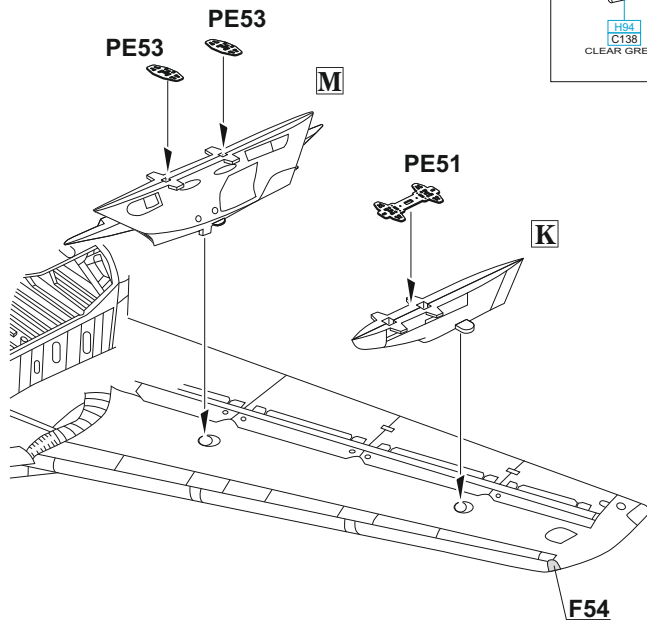
E121

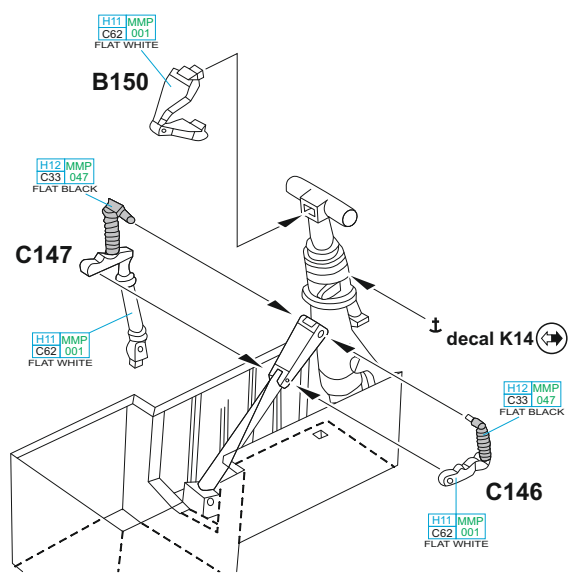
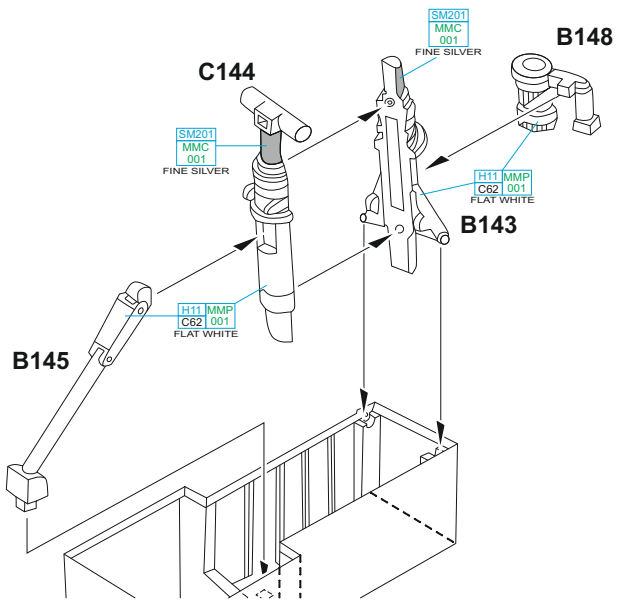
K

B124 right ↔ B126 left

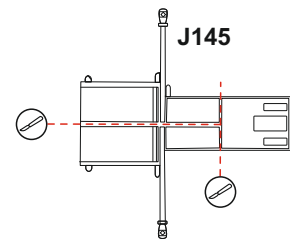
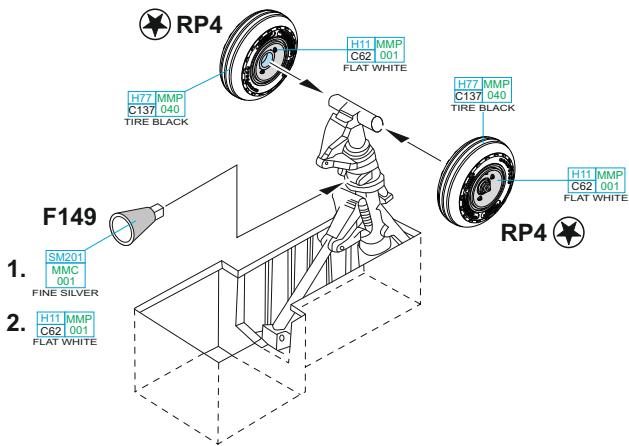


B123 right ↔ B125 left

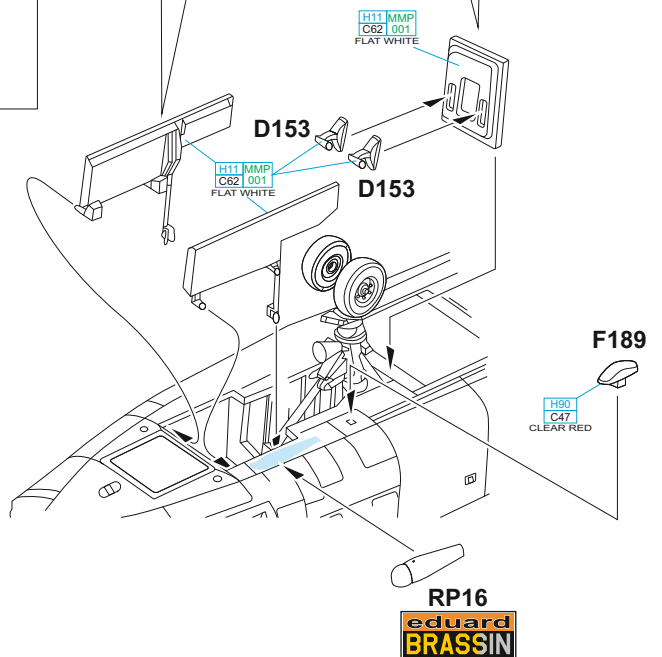
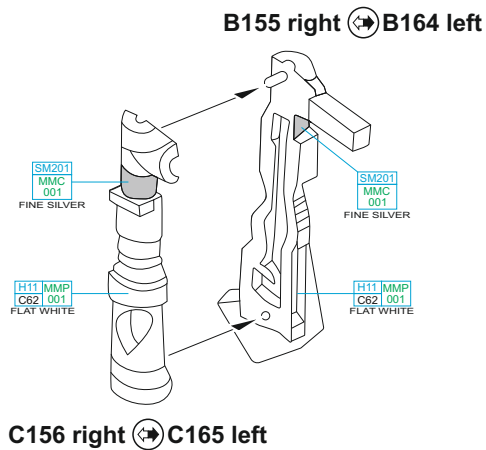
L**M****N****F54****F53**



eduard
BRASSIN

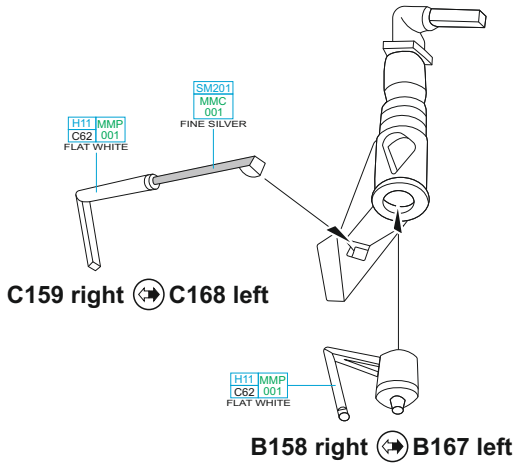


M **N**

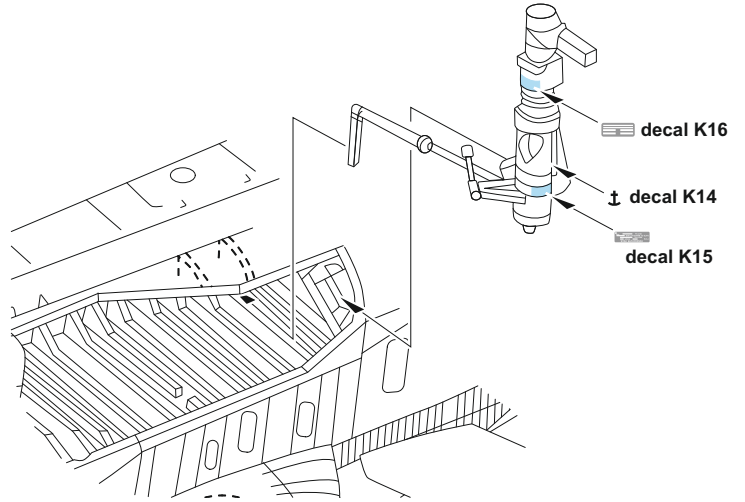


eduard
BRASSIN

M N

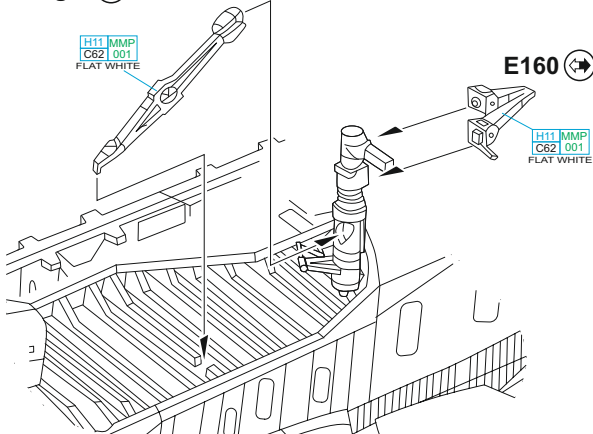


M N



M N

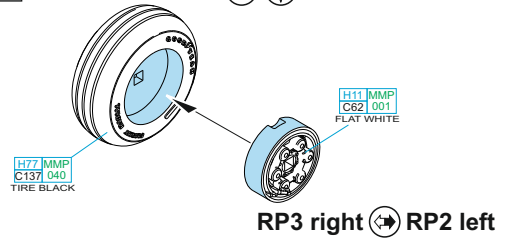
B157 right ↔ B166 left



M N

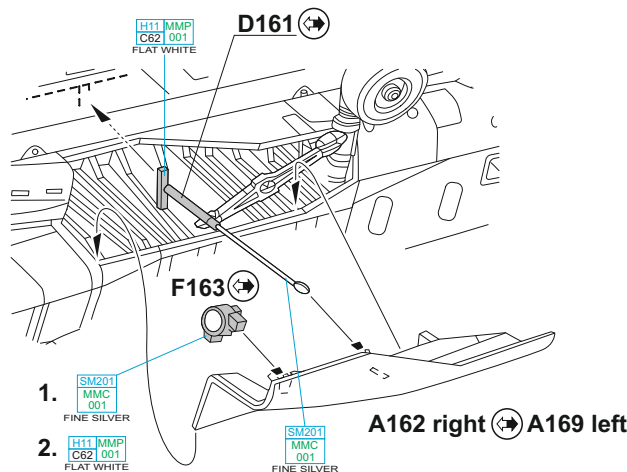
eduard BRASSIN

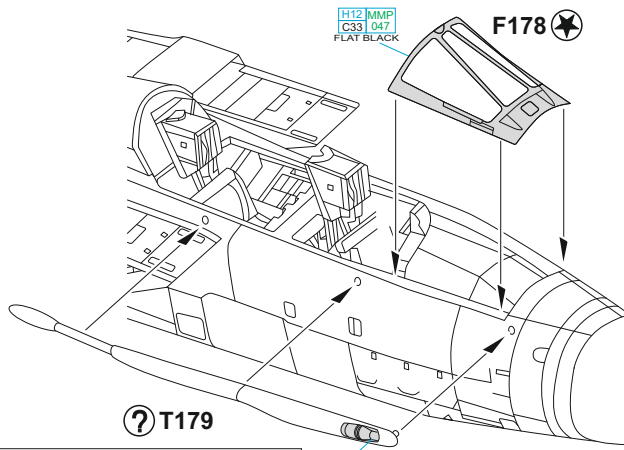
RP1 ↔



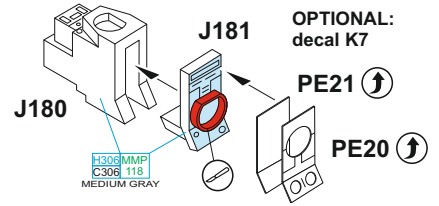
M N

M N

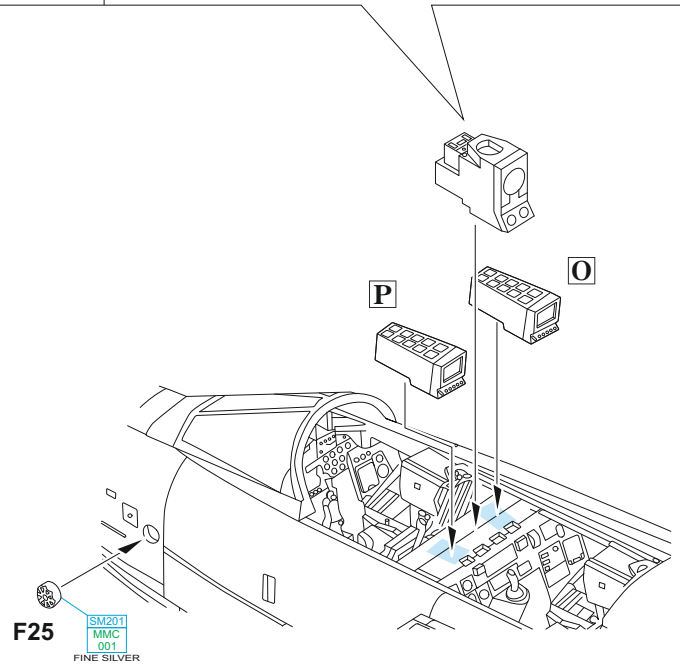
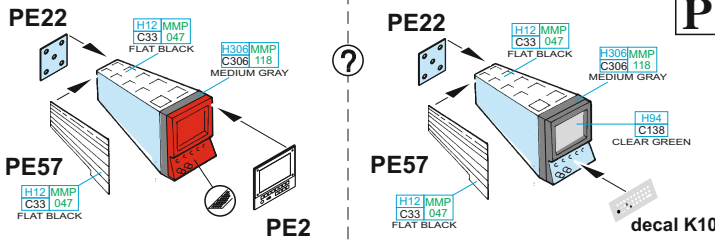
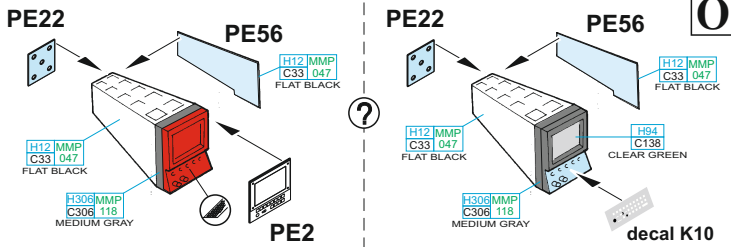
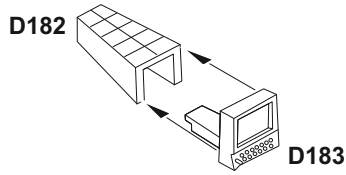




T179 - MARKINGS **B, C, D, E** ONLY
 SM201 MMC 001 FINE SILVER

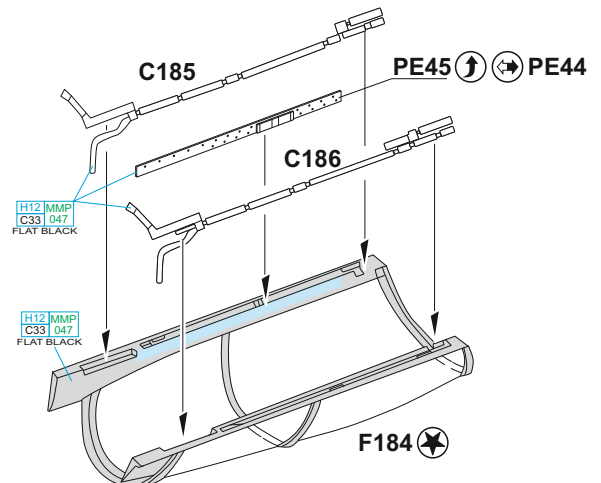
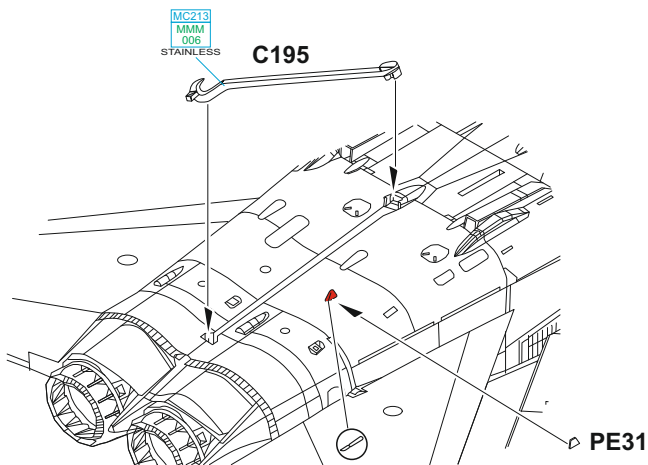
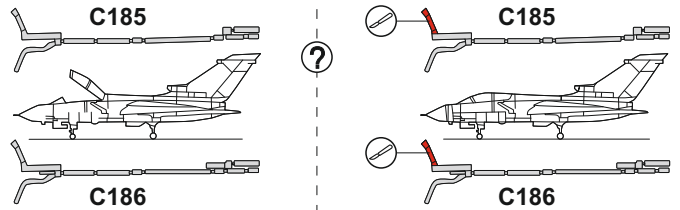


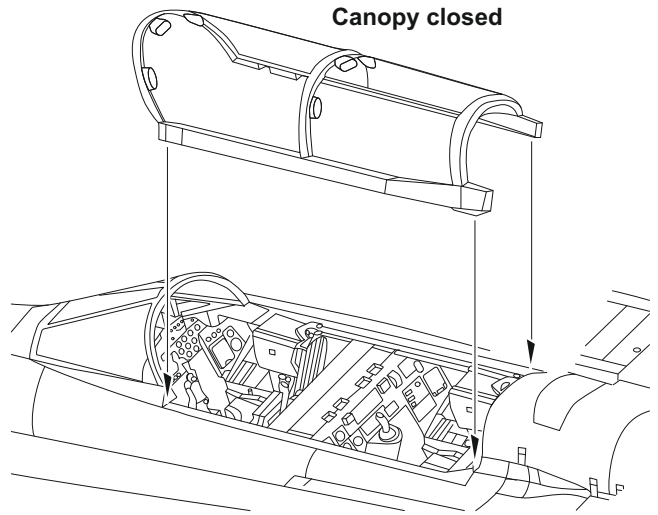
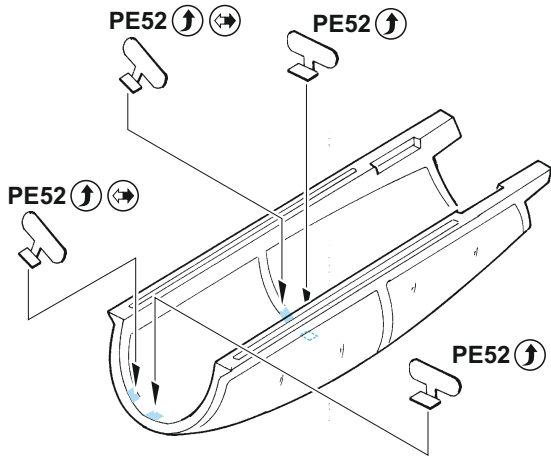
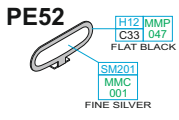
2 pcs.



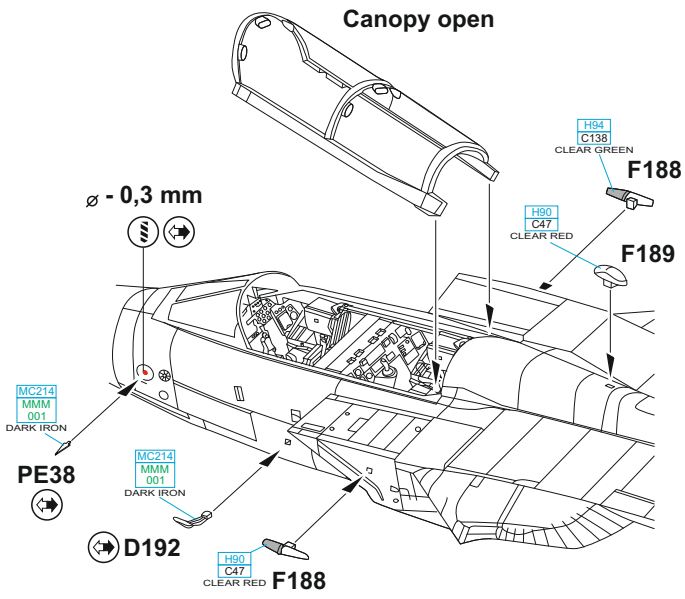
OPEN CANOPY

CLOSED CANOPY

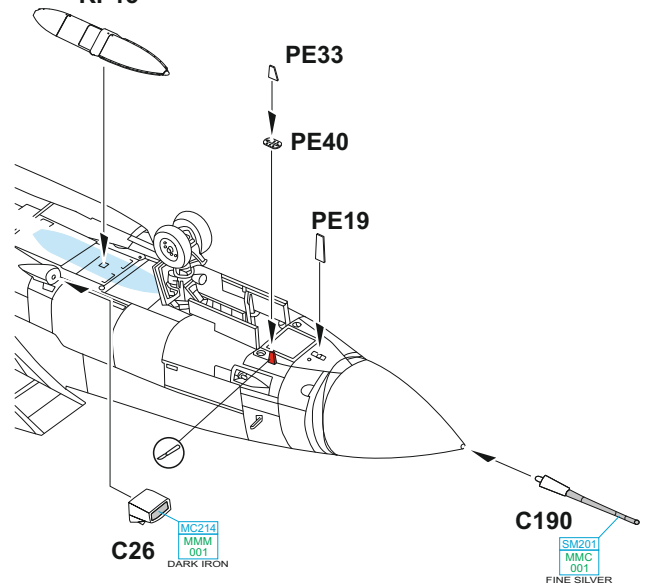




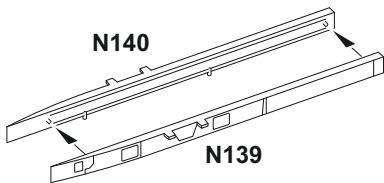
Canopy open



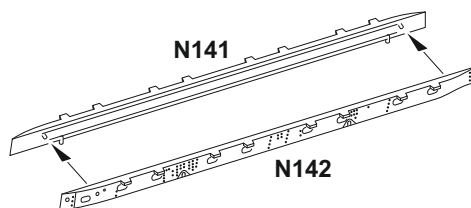
RP15



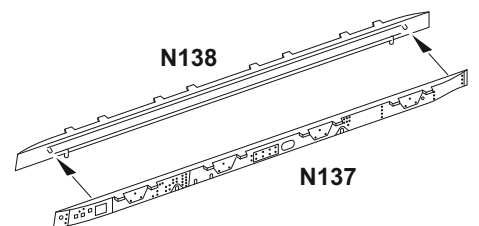
Q ? MARKING ONLY



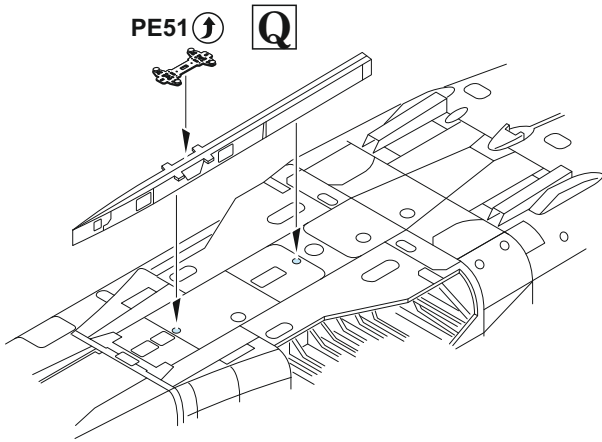
R



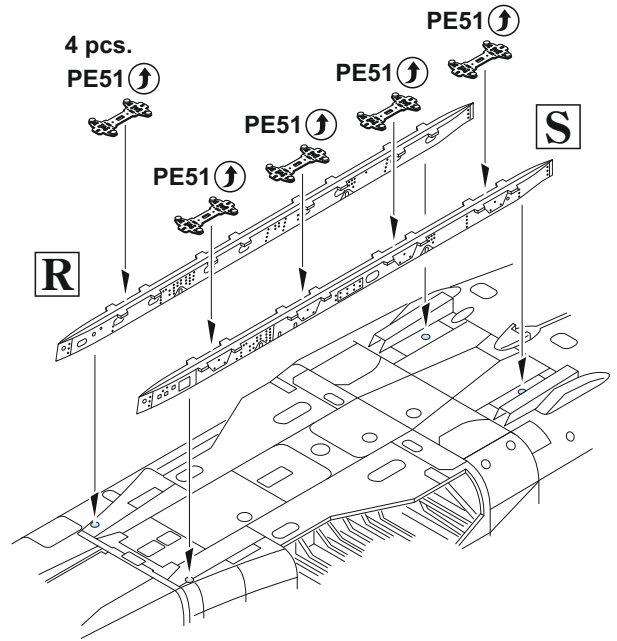
S



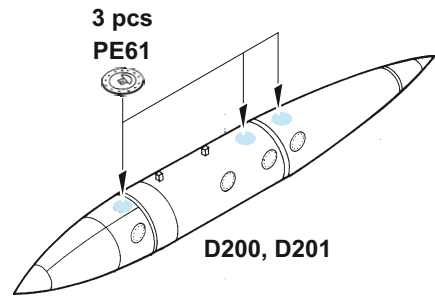
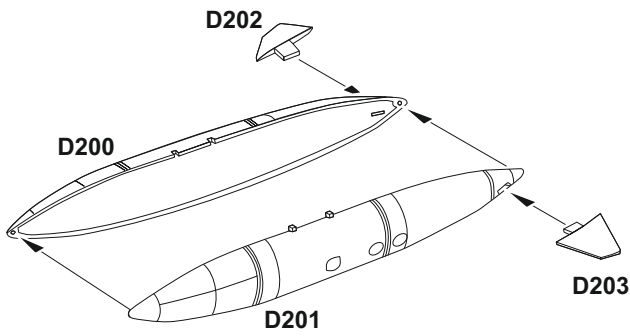
? MARKING **E** ONLY



?

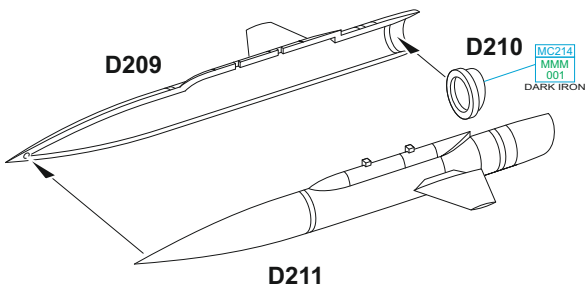


T **?** 2 pcs.

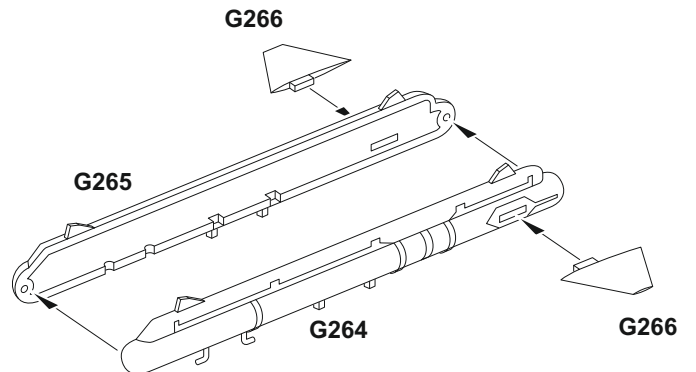


U **?** 2 pcs.

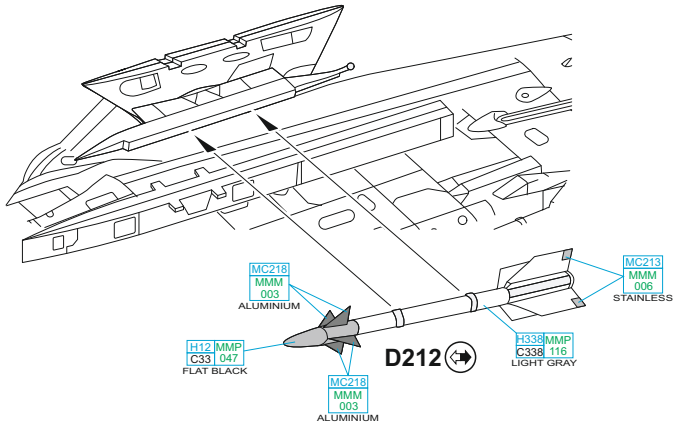
2 pcs. - MARKING **E** ONLY



V



M → N

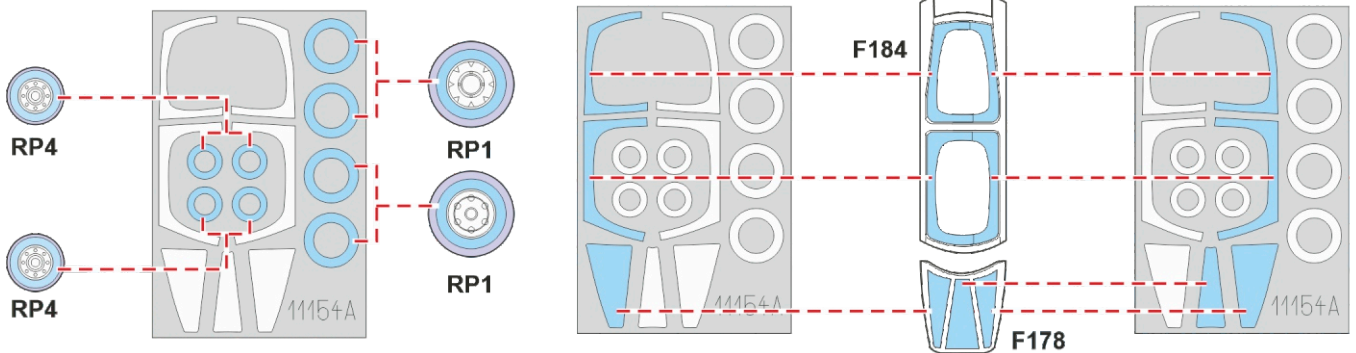
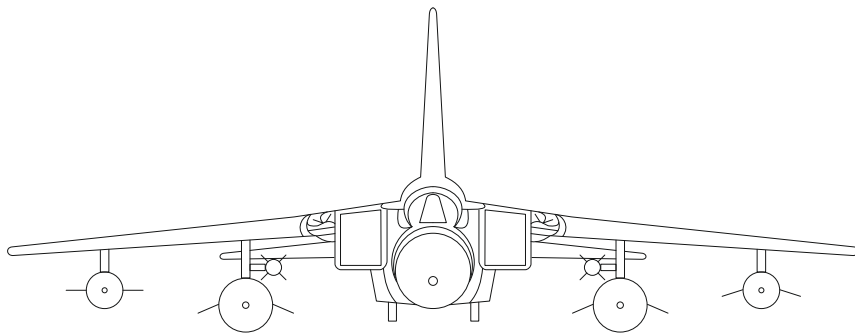
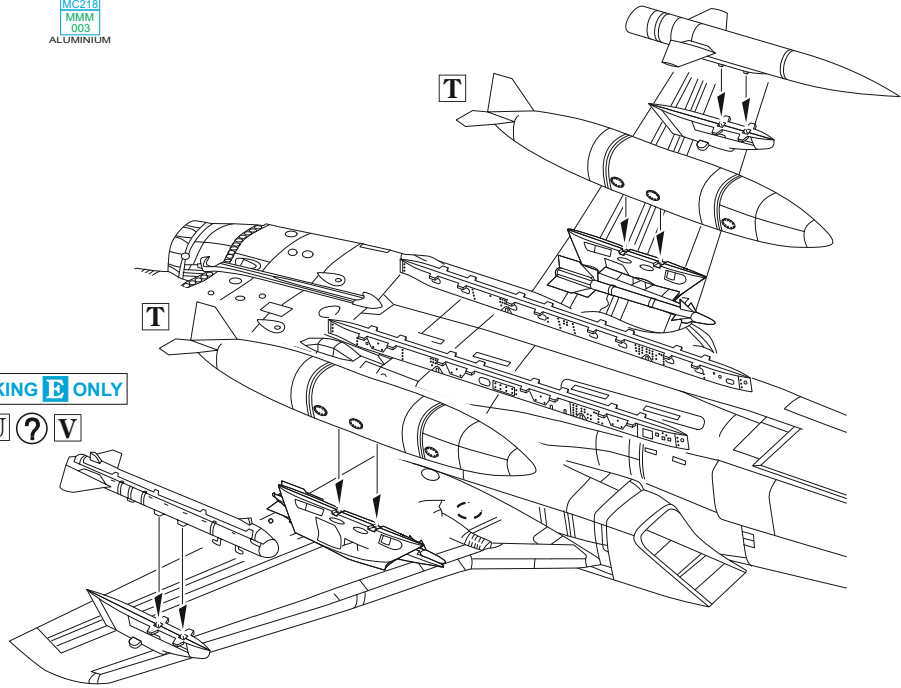


D212 →

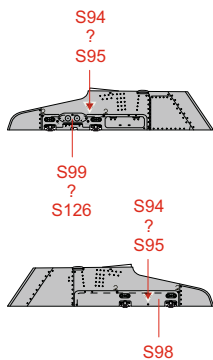
U

U - MARKING E ONLY

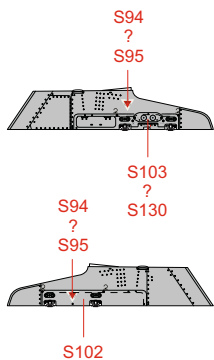
U ? V



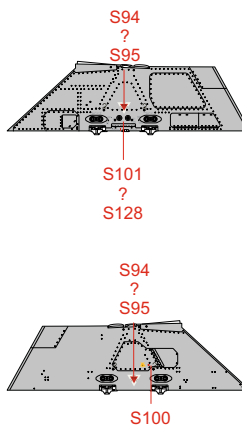
LEFT OUTER PYLON



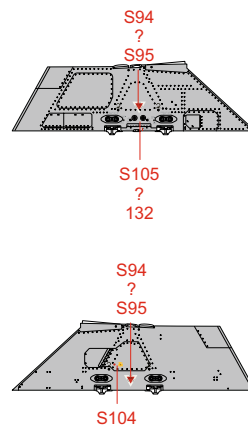
RIGHT OUTER PYLON



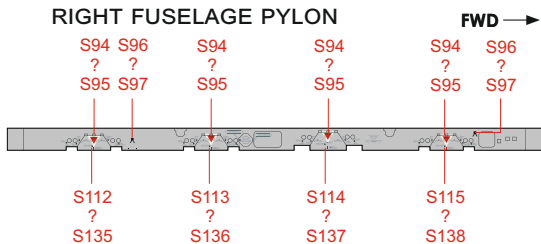
LEFT INNER PYLON



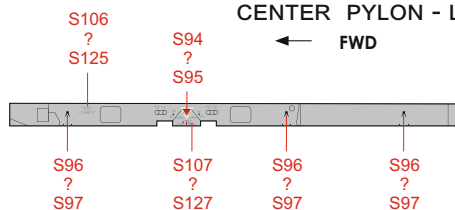
RIGHT INNER PYLON



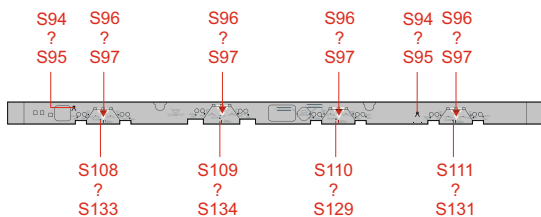
RIGHT FUSELAGE PYLON



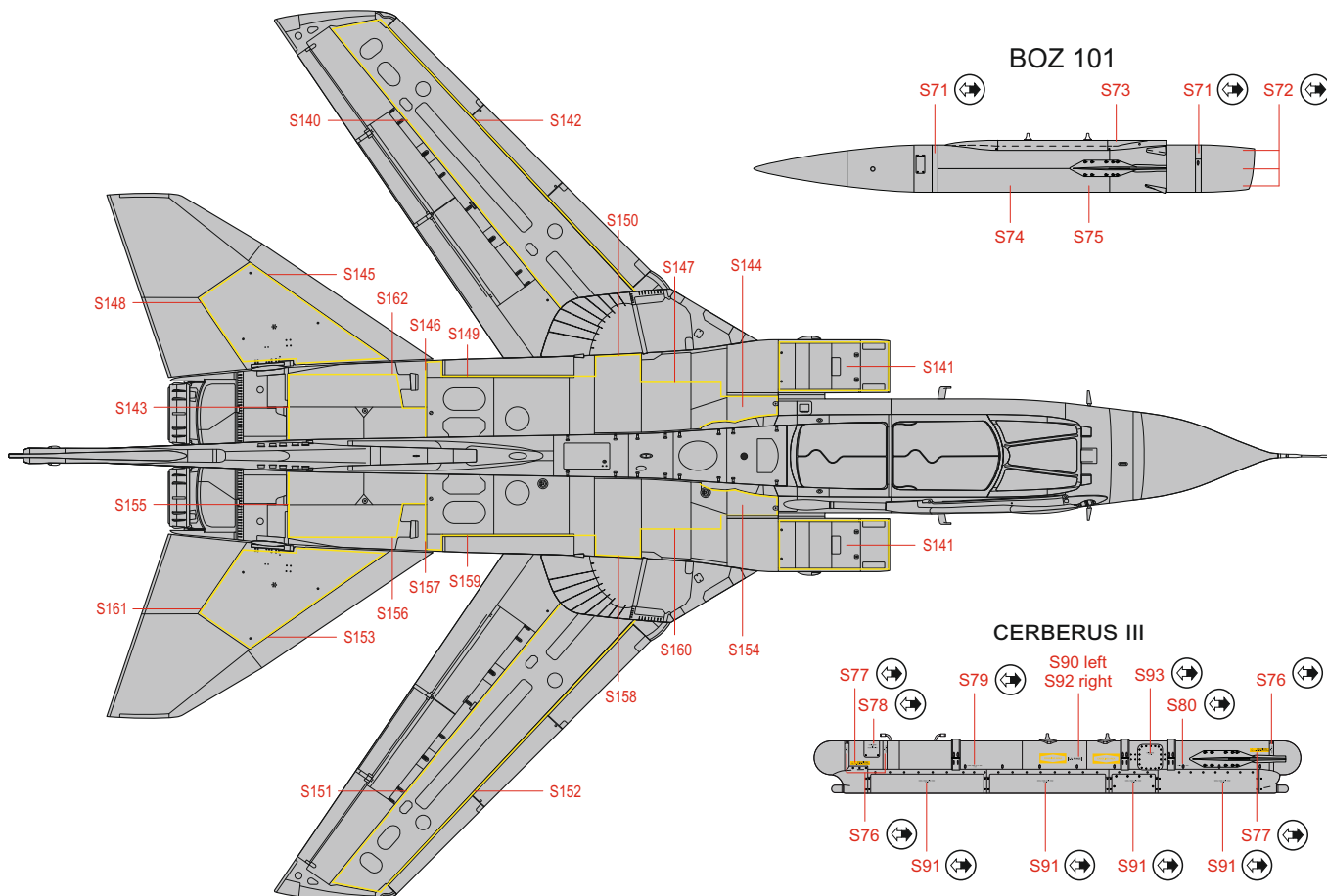
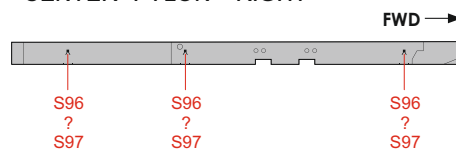
CENTER PYLON - LEFT



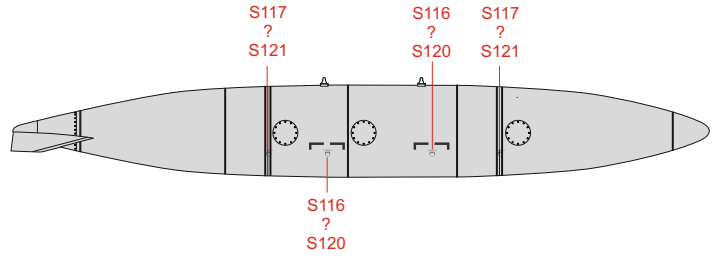
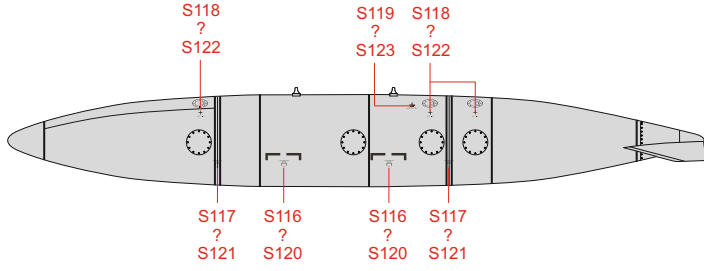
LEFT FUSELAGE PYLON



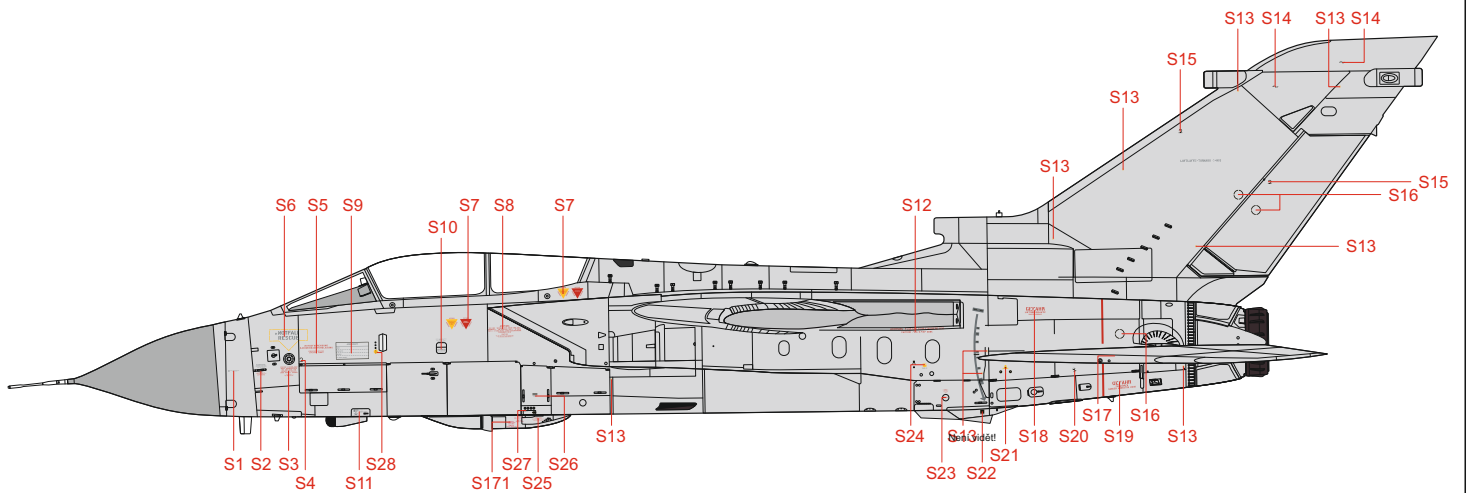
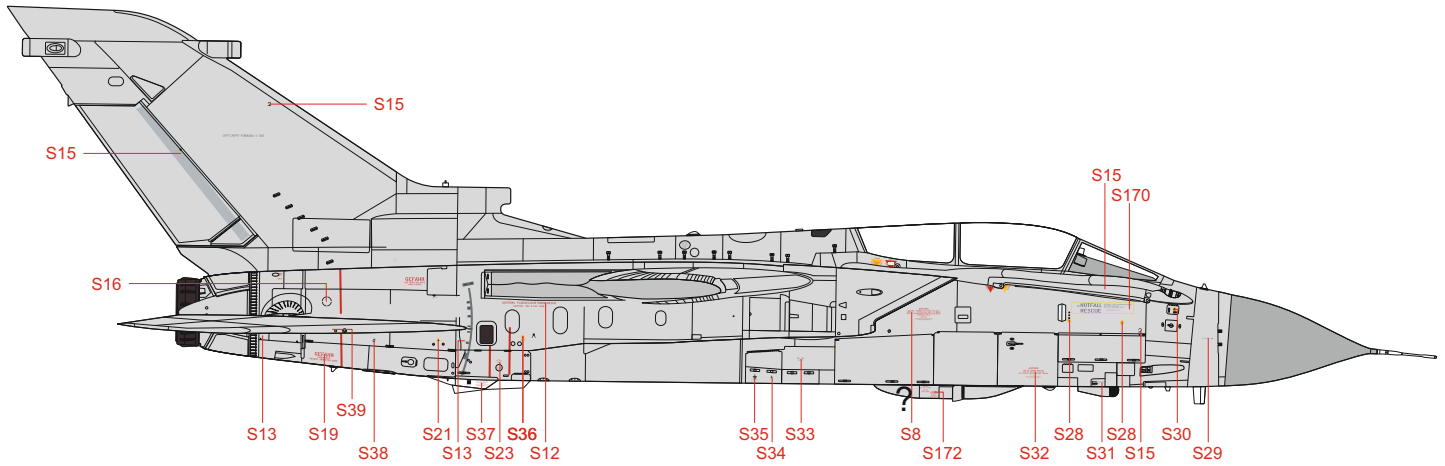
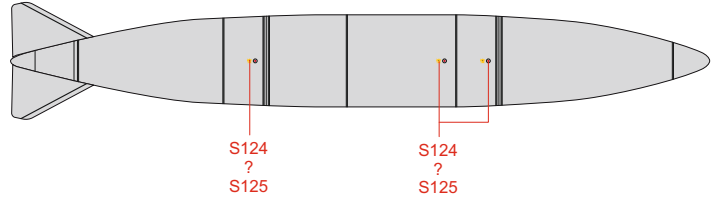
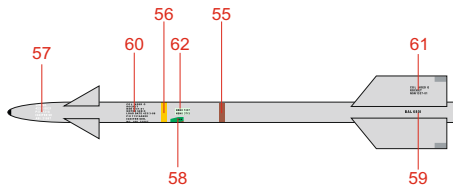
CENTER PYLON - RIGHT

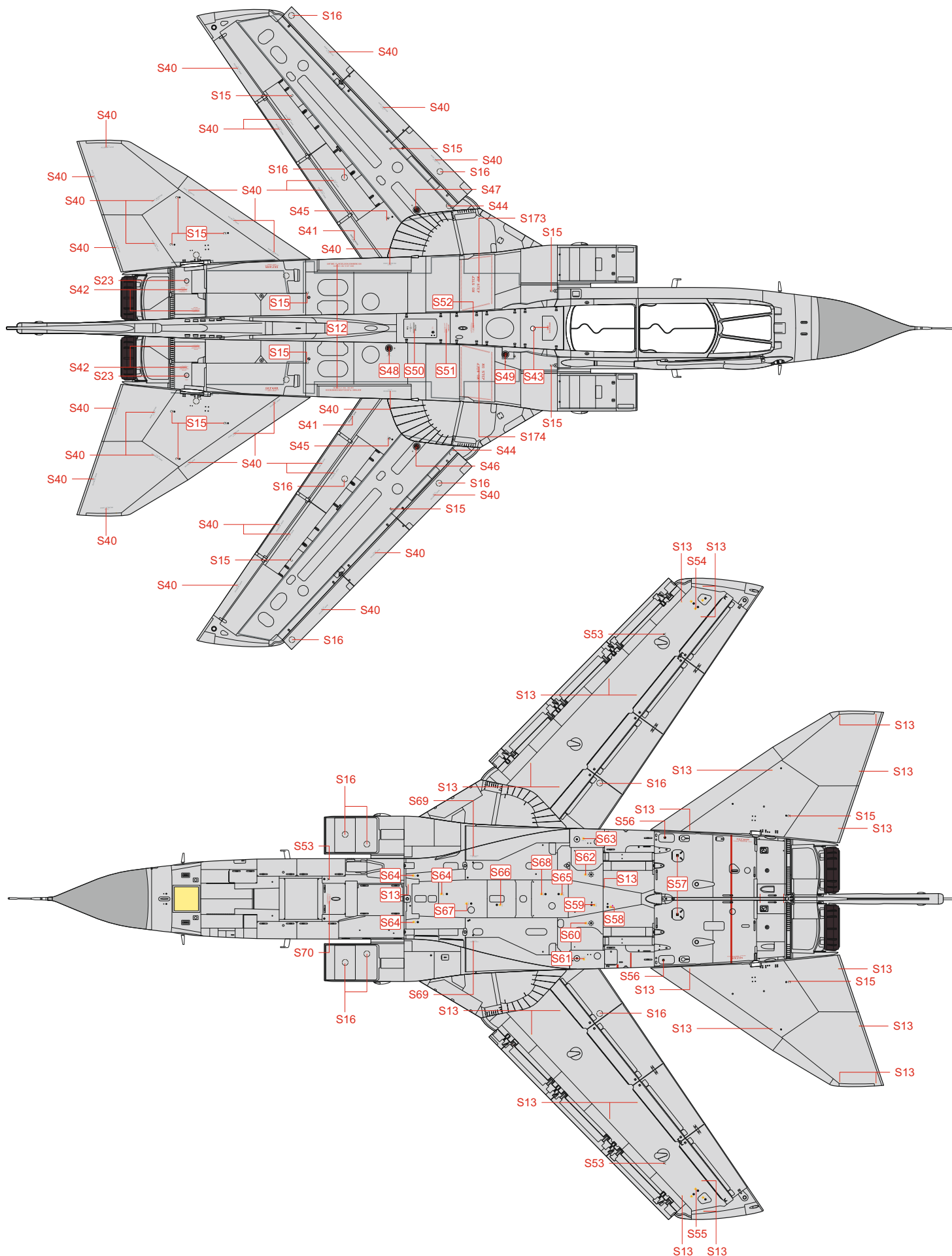


Auxiliary tank 1500l



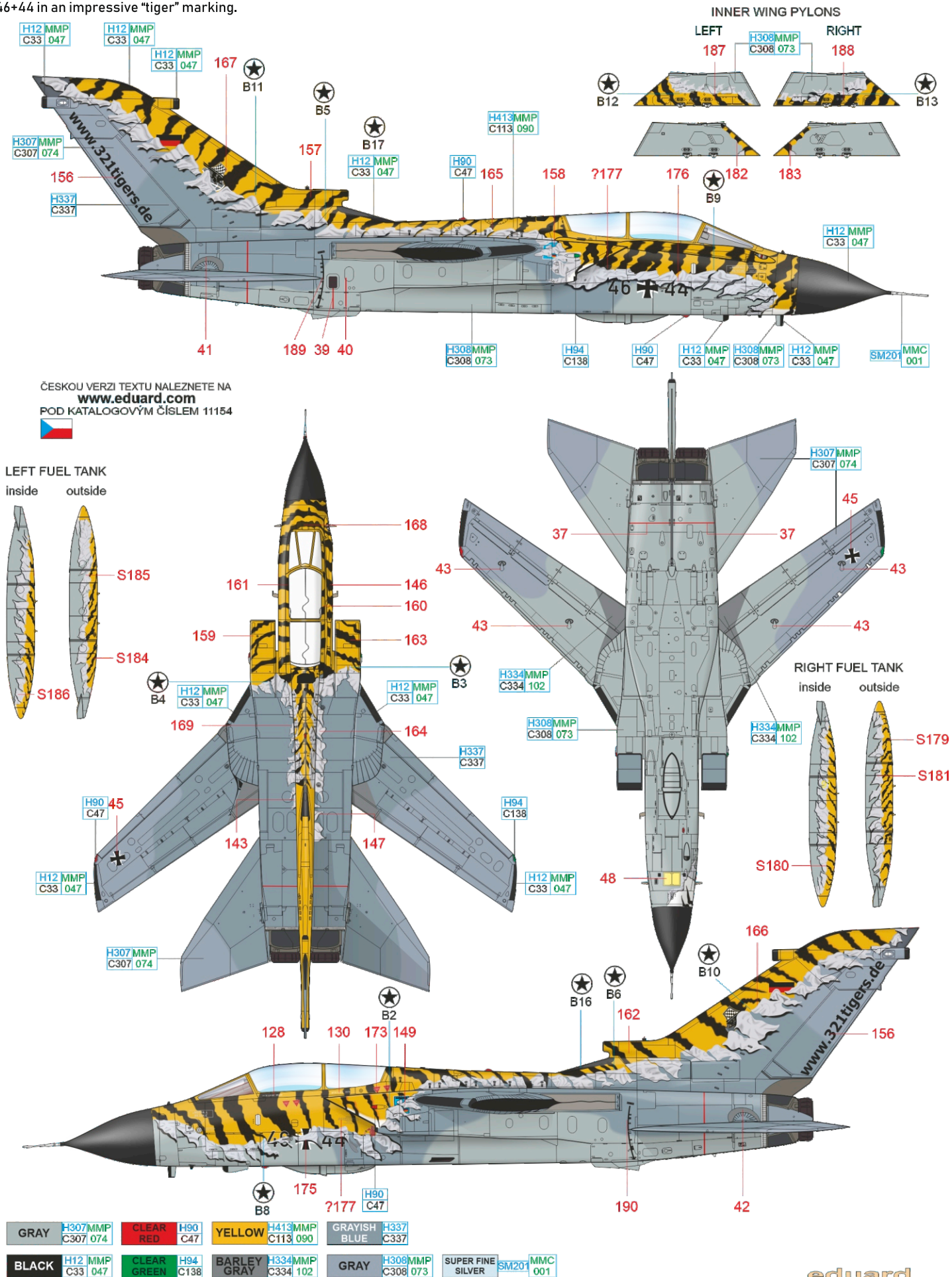
Sidewinder 2x





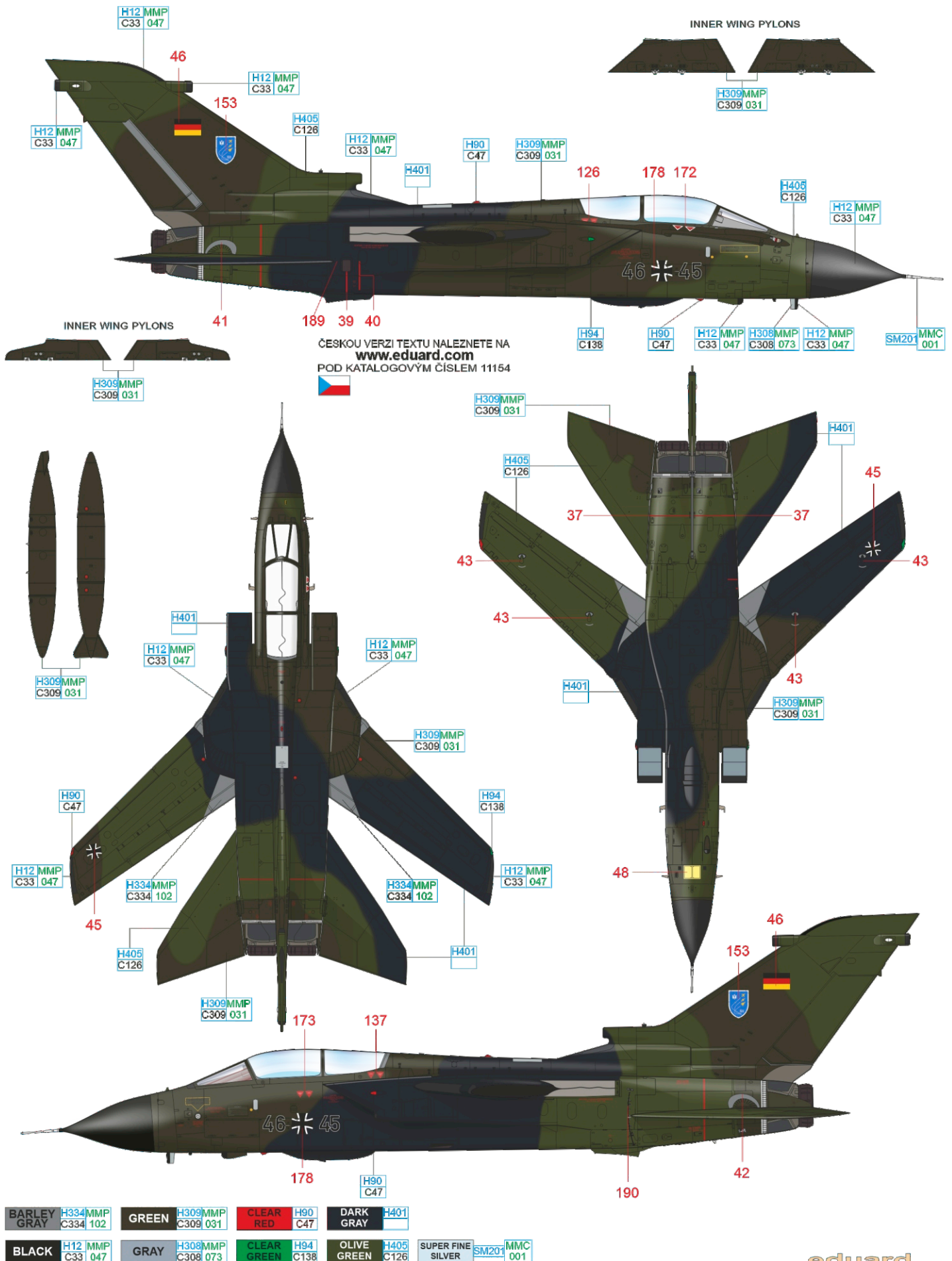
B 46+44, 1./JaboG 32, Lechfeld Air Base, Germany, June 2001

1. Staffel Jagdbombergeschwader 32, named Die Tigers (The Tigers), was accepted by the NATO Tiger Association in 1994 as a try-out member. This association was formed in 1961 to encourage solidarity among NATO air forces. The association organizes every year meetings called Tiger Meet, during which joint exercises are also held. In 2001, a Tiger Meet was held in Kleine Brogel, Belgium, for which 1st/JaboG 32 prepared a Tornado ECR with markings 46+44 in an impressive "tiger" marking.



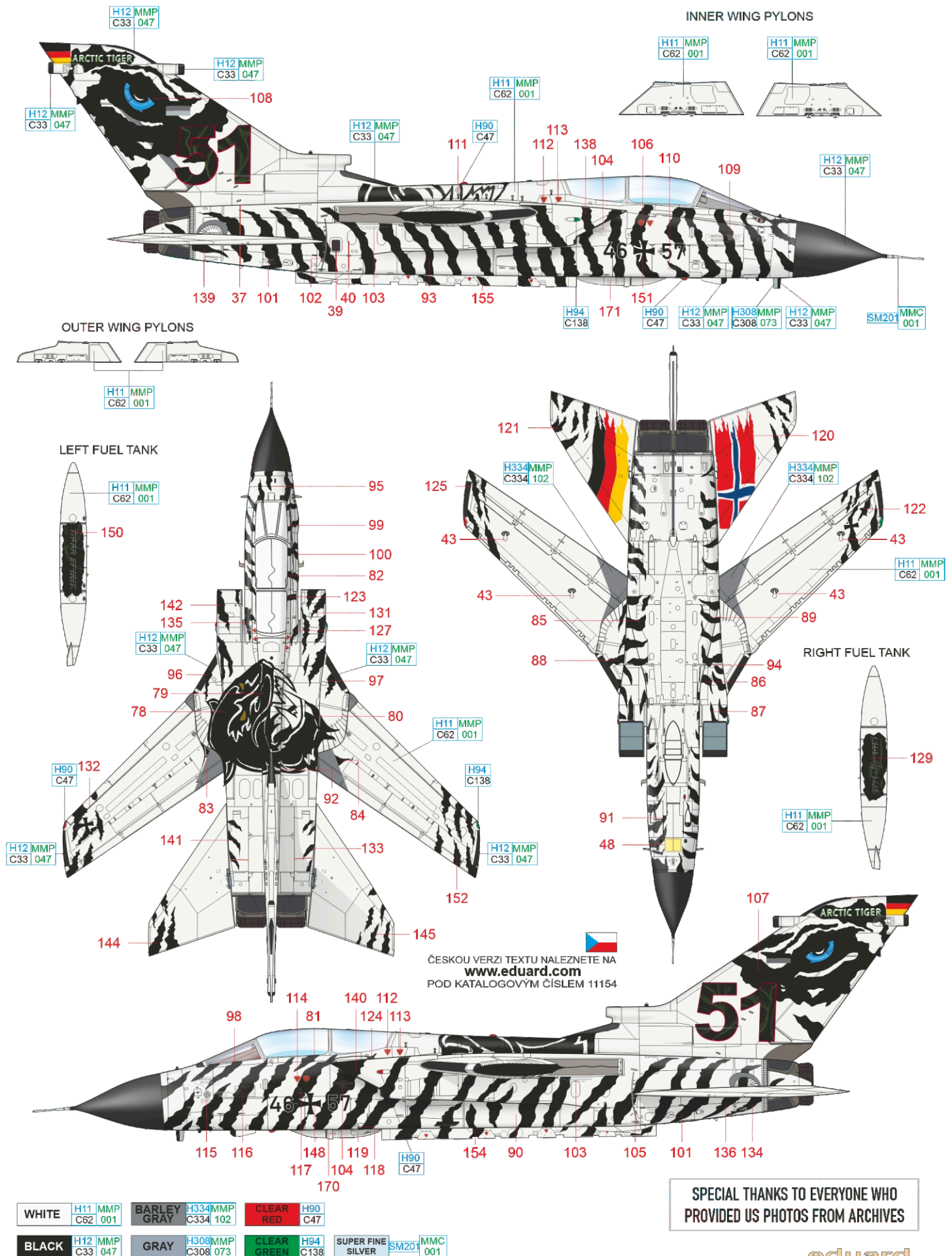
C 46+45, 2./JaboG 38 „Friesland“, Jever, Germany, June 1993

Tornados ECR were the equipment of two units in German Luftwaffe, JaboG 32 and JaboG 38. The former unit was based at Lechfeld in Bavaria, while JaboG 38 was based in the north at Jever in Lower Saxony. This unit was established in August 1983 and was armed with Tornado IDS multirole aircraft. ECR Tornados formed equipment of its 2. Staffel in 1989, and they were used until 1995, when the ECR Tornados were handed over to JaboG 32. On August 31, 2005, JaboG 38 was disbanded.



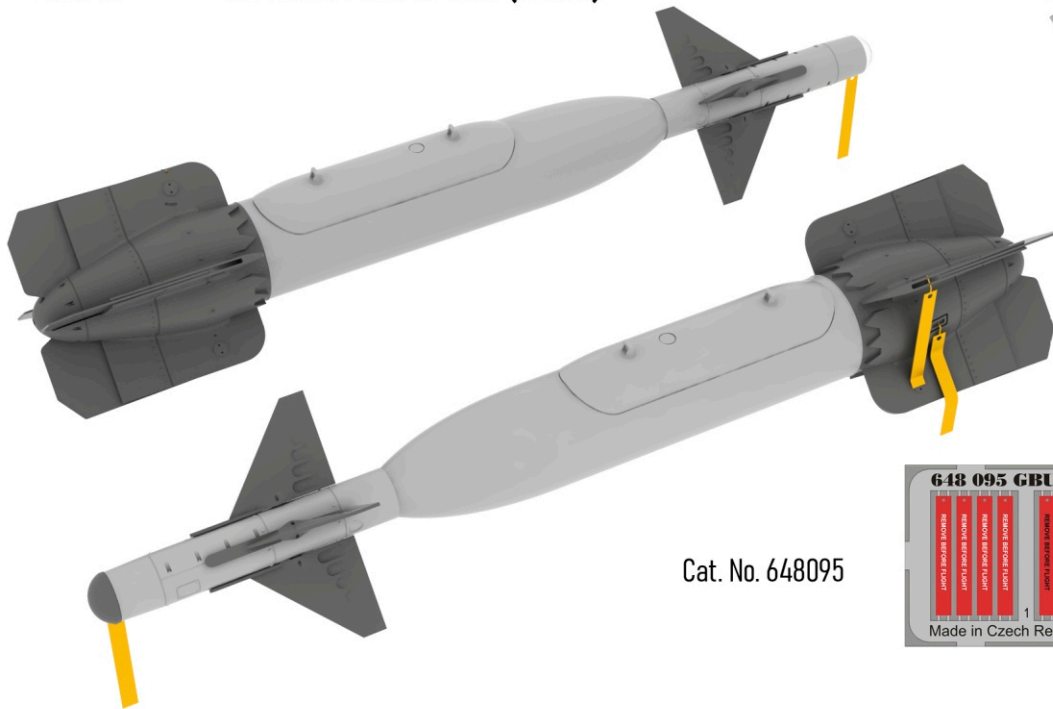
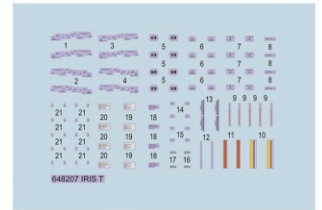
E 46+57, AG 51, Schleswig-Jagel Air Base, Germany, July 2013

Aufklärungsgeschwader 51, the predecessor of TaktLwG 51, was re-activated in January 1994. The previous AG 51, along with its sister AG 52 unit (both flying RF-4E reconnaissance Phantoms), was disbanded in mid-1993. The newly formed AG 51 received the Tornado IDS supplemented with the ECR version. The Tornado ECR in this livery was presented at the 2013 Tiger Meet held in Orland, Norway, where AG 51 won the Silver Tiger Trophy.

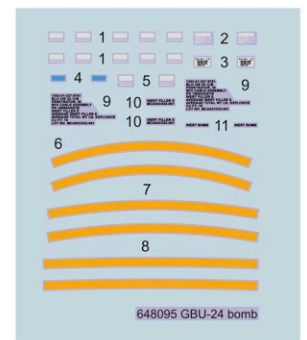
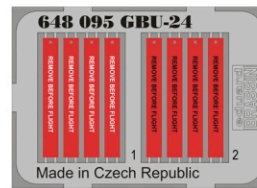


- 644136 Tornado ECR LööK (Brassin)
- 648029 AIM-9M/L (Brassin)
- 648095 GBU-24 (Brassin)
- 648180 AGM-88 HARM (Brassin)
- 648207 IRIS-T (Brassin)
- 648527 BOZ-EC pod (Brassin)
- 648564 GBU-54 (Brassin)
- 648715 TSPJ pod PRINT (Brassin)
- 3DL48056 Tornado ECR SPACE (3D Decal Set)
- EX824 Tornado ECR TFace (Mask)

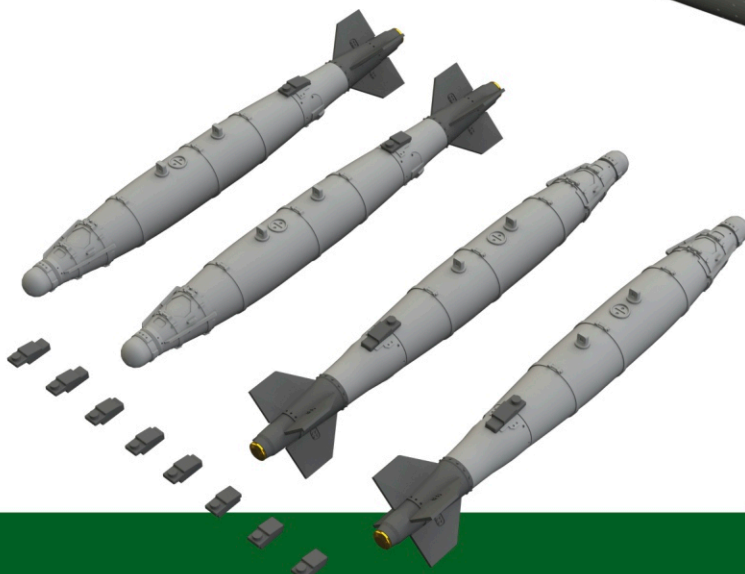
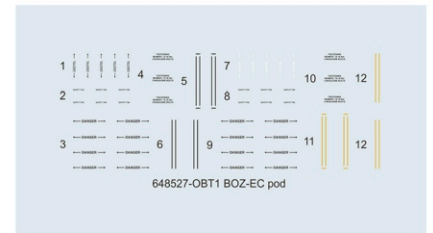
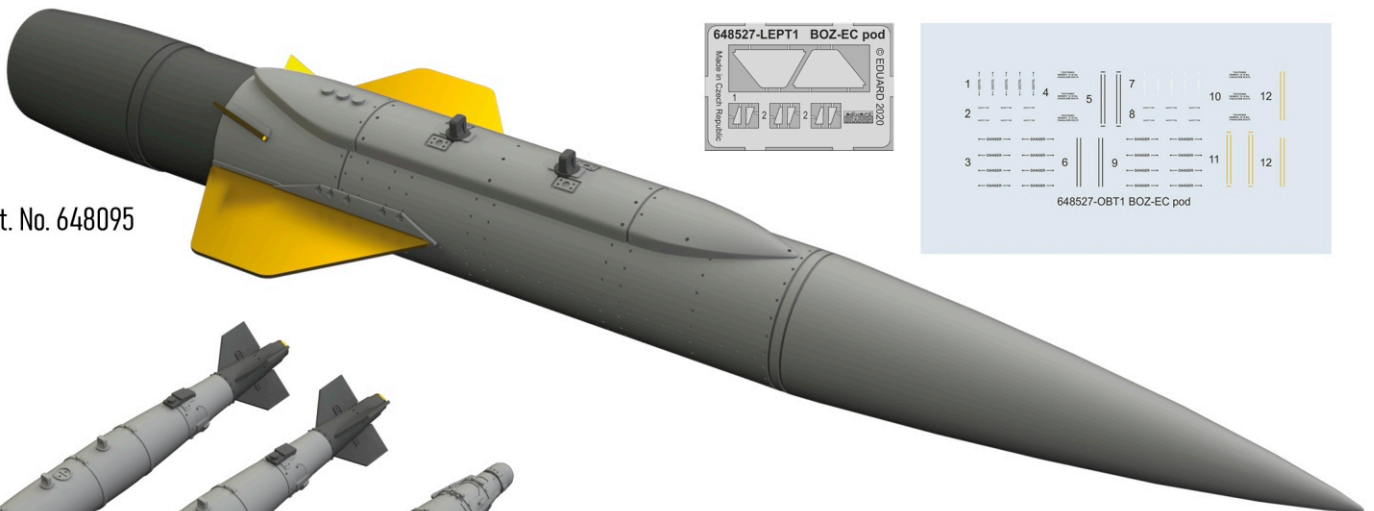
Cat. No. 648207



Cat. No. 648095



Cat. No. 648095



Cat. No. 648564

