

eduard

LIMITED



Hind F

1/48

INSTRUCTION SHEET

11163-NAV1

ATTENTION



UPOZORNĚNÍ



ACHTUNG



ATTENTION



注意



Carefully read instruction sheet before assembling. When you use glue or paint, do not use near open flame and use in well ventilated room. Keep out of reach of small children. Children must not be allowed to suck any part, or pull vinyl bag over the head.



Před započatím stavby si pečlivě prostudujte stavební návod. Při používání barev a lepidel pracujte v dobře větrané místnosti. Lepidla ani barvy nepoužívejte v blízkosti otevřeného ohně. Model není určen malým dětem, mohlo by dojít k požití drobných dílů.

INSTRUCTION SIGNS * INSTR. SYMBOLS * INSTRUKTION SINNBILDEN * SYMBOLES * 記号の説明

OPTIONAL
VOLBABEND
OHNOUSAND
BROUSITOPEN HOLE
VYVRTAT OTVORSYMETRICAL ASSEMBLY
SYMETRICKÁ MONTÁŽREMOVE
ODRÍZNOUTREVERSE SIDE
OTOČITAPPLY EDUARD MASK
AND PAINT
POUŽIT EDUARD MASK
NABARVIT

PARTS



DÍLY



TEILE

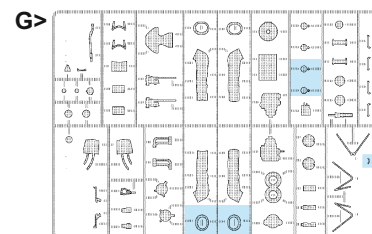
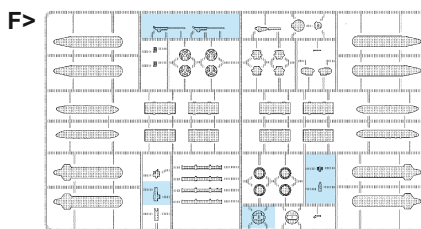
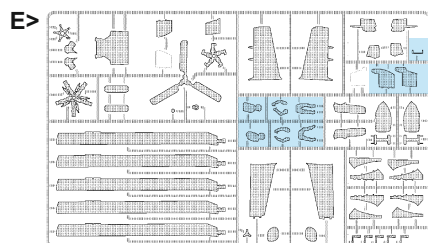
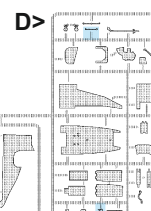
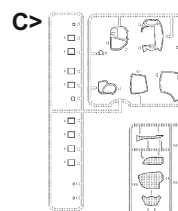
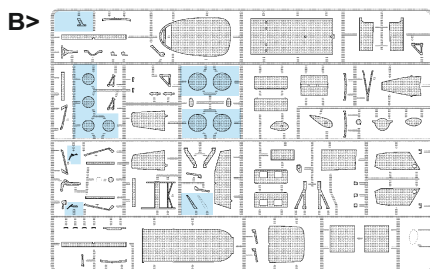
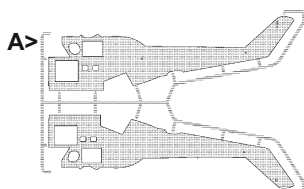


PIÈCES

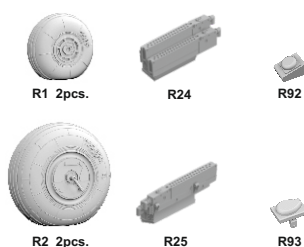


部品

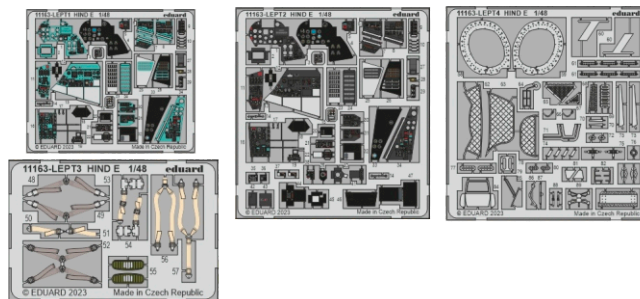
PLASTIC PARTS



eduard RP - RESIN PARTS



PE - PHOTO ETCHED DETAIL PARTS



FILM



-Parts not for use. -Teile werden nicht verwendet. -Pièces à ne pas utiliser. -Tyto díly nepoužívejte při stavbě. - 使用しない部品

COLOURS



BARVY



FARBEN



PEINTURE



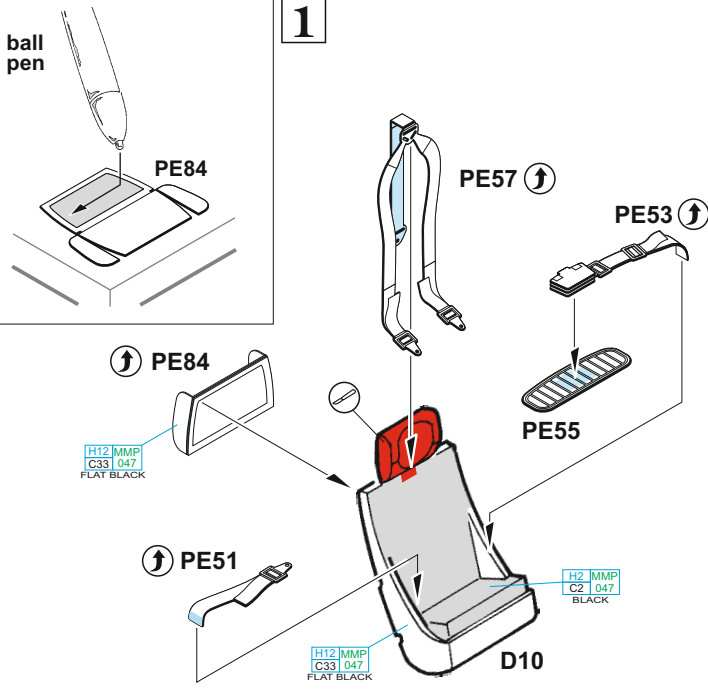
色

| GSI Creos (GUNZE) | | MISSION MODELS | |
|-------------------|----------|----------------|--------------|
| AQUEOUS | Mr.COLOR | PAINTS | |
| H2 | C2 | MMP-047 | BLACK |
| H3 | C3 | MMP-003 | RED |
| H4 | C4 | MMP-007 | YELLOW |
| H8 | C8 | | SILVER |
| H11 | C62 | MMP-001 | FLAT WHITE |
| H12 | C33 | MMP-047 | FLAT BLACK |
| H18 | C28 | | STEEL |
| H25 | C34 | | BLUE |
| H26 | C66 | MMP-004 | BRIGHT GREEN |
| H27 | C44 | | TAN |
| H47 | C41 | MMP-012 | RED BROWN |
| H48 | C52 | | FIELD GRAY |
| H53 | C13 | | NEUTRAL GRAY |
| H72 | C369 | MMP-078 | DARK EARTH |
| H76 | C61 | MMM-001 | BURNT IRON |
| H77 | C137 | MMP-040 | TIRE BLACK |
| H81 | C55 | MMP-023 | KHAKI |
| H82 | C31 | | DARK GRAY |
| H84 | C42 | | MAHOGANY |
| H90 | C47 | | CLEAR RED |
| H94 | C138 | | CLEAR GREEN |
| H303 | C303 | MMP-066 | GREEN |
| H305 | C305 | MMP-084 | GRAY |
| H306 | C306 | MMP-118 | MEDIUM GRAY |
| H307 | C307 | MMP-074 | GRAY |

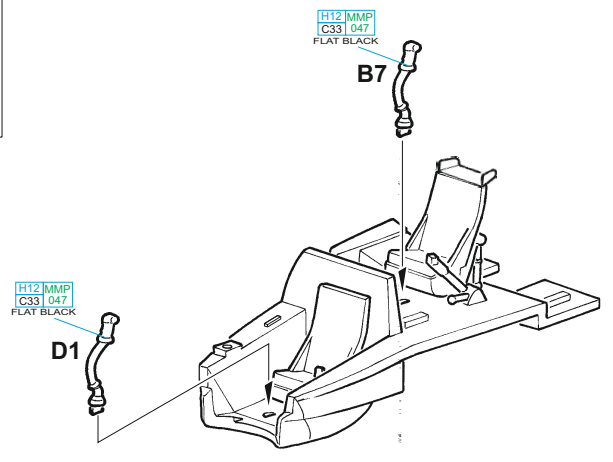
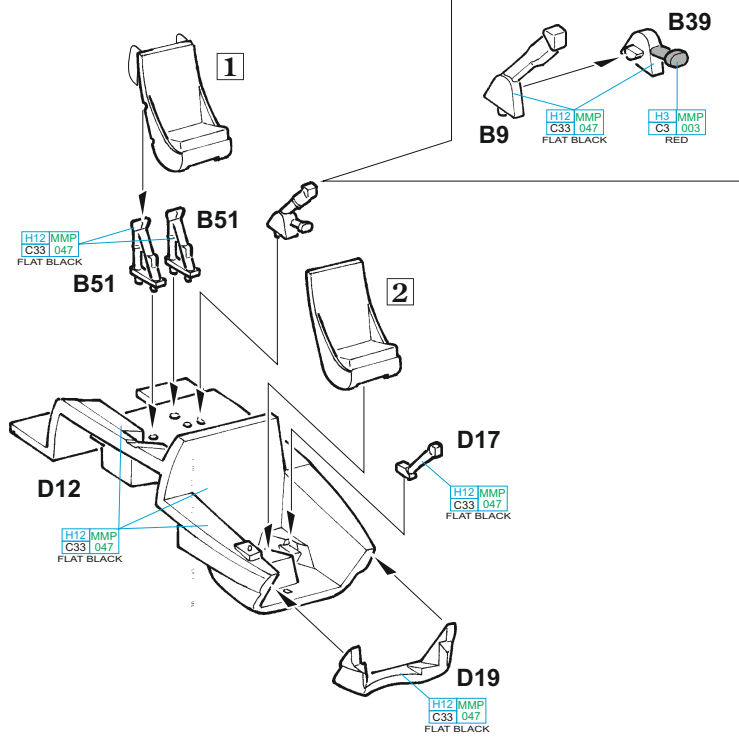
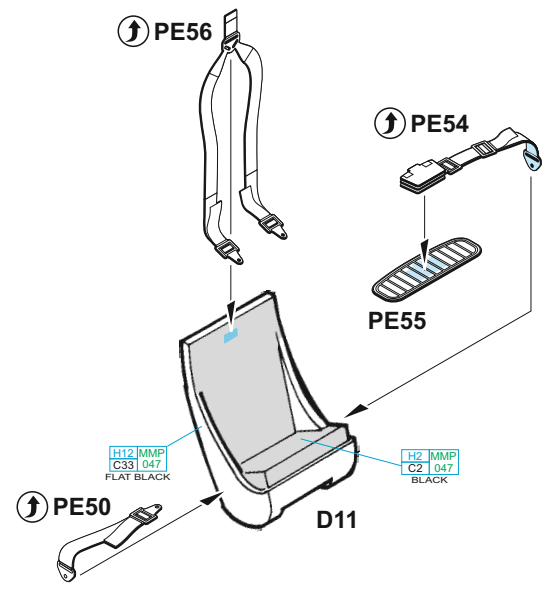
| GSI Creos (GUNZE) | | MISSION MODELS | |
|-------------------------|----------|----------------|----------------|
| AQUEOUS | Mr.COLOR | PAINTS | |
| H308 | C308 | MMP-073 | GRAY |
| H310 | C310 | MMP-060 | BROWN |
| H311 | C311 | MMP-095 | LIGHT GRAY |
| H313 | C313 | | YELLOW |
| H323 | C323 | MMP-092 | LIGHT BLUE |
| H327 | C327 | MMP-101 | RED |
| H335 | C363 | | MEDIUM SEAGRAY |
| H337 | C337 | | GRAYISH BLUE |
| H338 | C338 | MMP-116 | MEDIUM GRAY |
| H340 | C340 | | FIELD GREEN |
| H416 | C116 | MMP-105 | ANTRACITE GRAY |
| H417 | C117 | MMP-051 | LIGHT BLUE |
| H422 | C122 | MMP-053 | LIGHT GREEN |
| | C128 | | GRAY GREEN |
| | C136 | MMP-032 | RUSSIAN GREEN |
| | C352 | MMP-067 | YELLOW PRIMER |
| | C512 | | GREEN |
| Mr.METAL COLOR | | METALLICS | |
| | MC218 | MMM-003 | ALUMINIUM |
| | MC219 | MMM-009 | BRASS |
| Mr.COLOR SUPER METALLIC | | METALLICS | |
| | SM203 | | SUPER IRON 2 |

ball pen

1

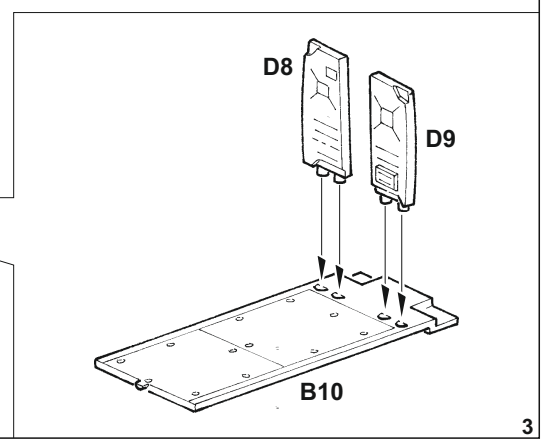
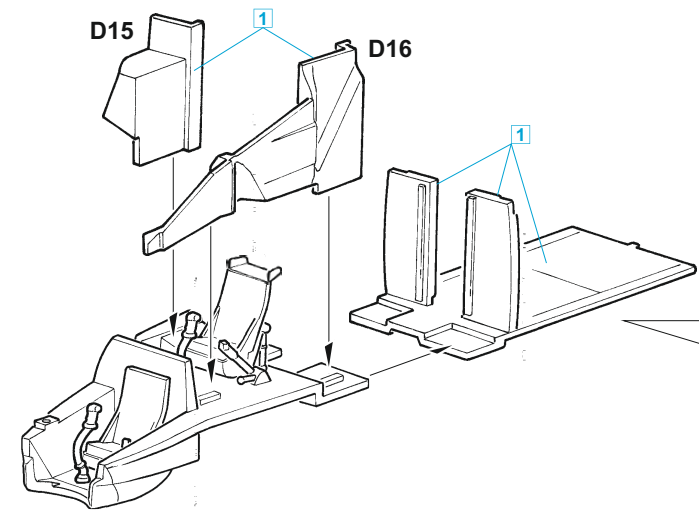


2



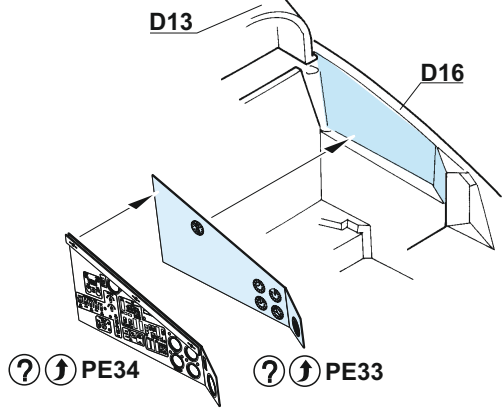
1 = $\frac{H337}{C337}$ - MARKINGS **A;B;E;G**
 GRAYISH BLUE

$\frac{H82}{C31}$ - MARKINGS **C;D;F;H**
 75% DARK GRAY + 25% FLAT WHITE

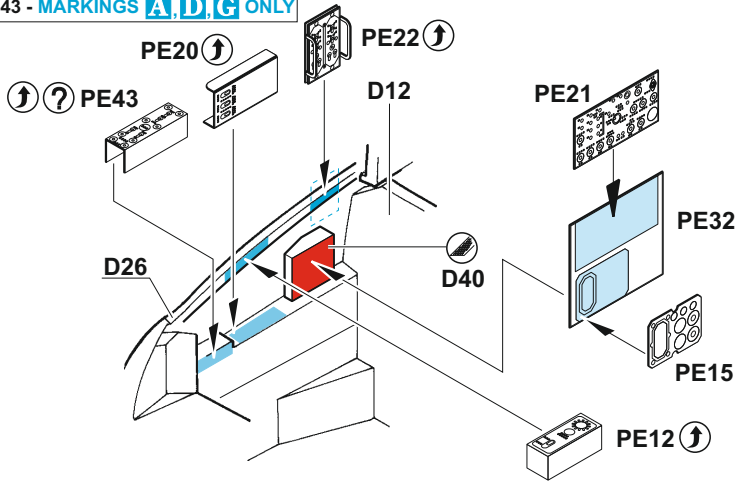


11163-LEPT1 - MARKINGS **B,C,E,F,H**

11163-LEPT2 - MARKINGS **A,D,G**

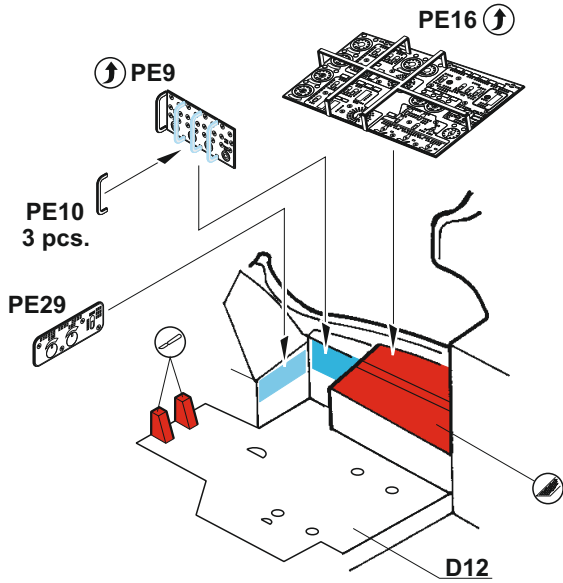


PE43 - MARKINGS **A,D,G ONLY**



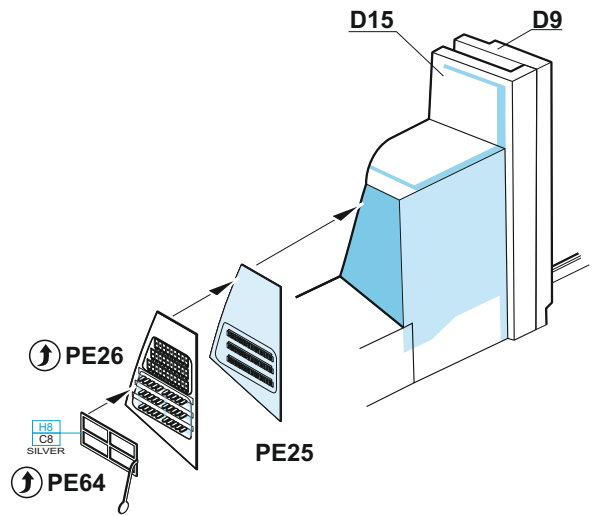
11163-LEPT1 - MARKINGS **B,C,E,F,H**

11163-LEPT2 - MARKINGS **A,D,G**



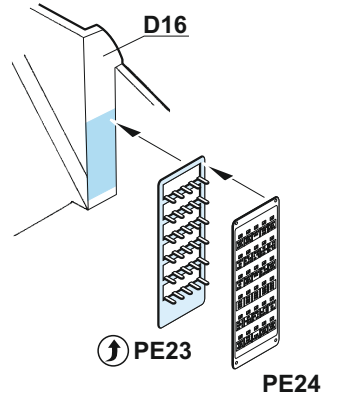
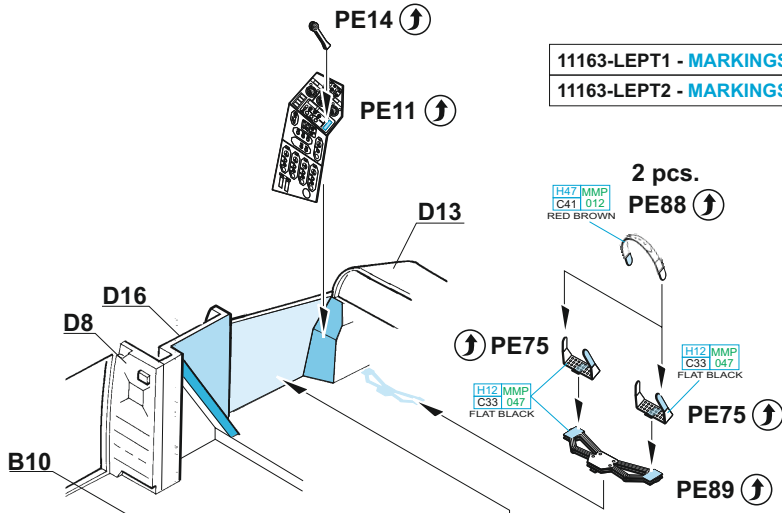
11163-LEPT1 - MARKINGS **B,C,E,F,H**

11163-LEPT2 - MARKINGS **A,D,G**

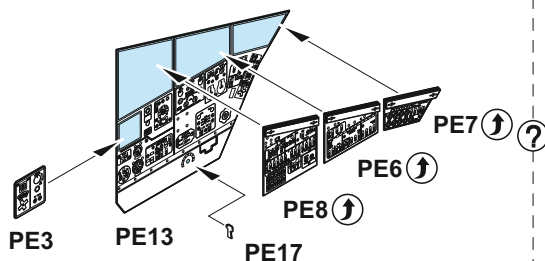


11163-LEPT1 - MARKINGS **B,C,E,F,H**

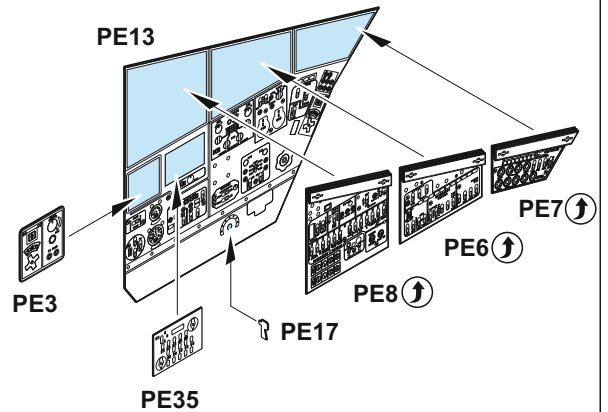
11163-LEPT2 - MARKINGS **A,D,G**



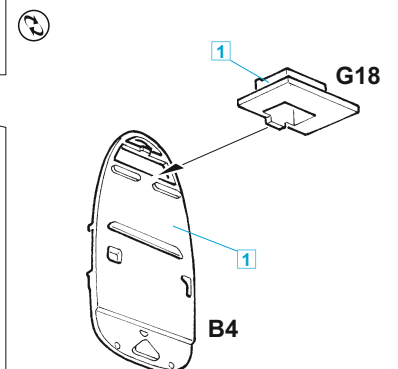
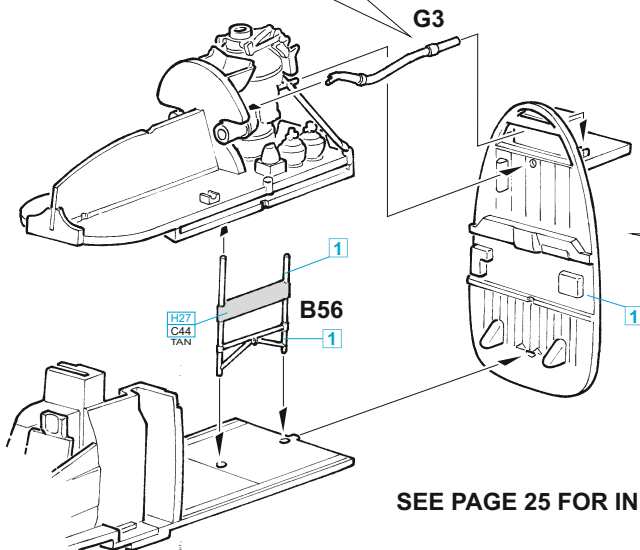
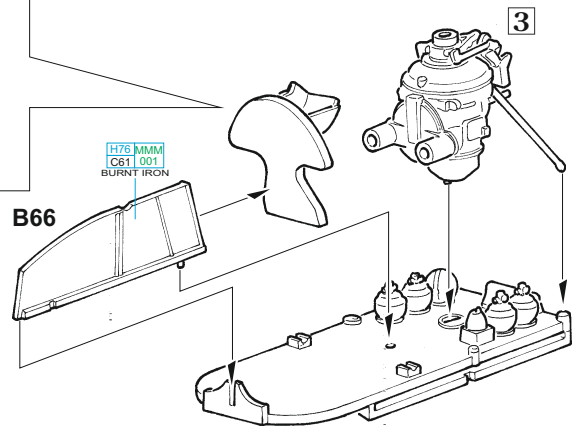
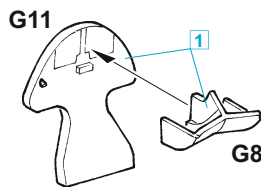
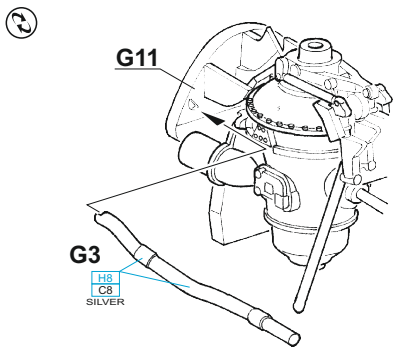
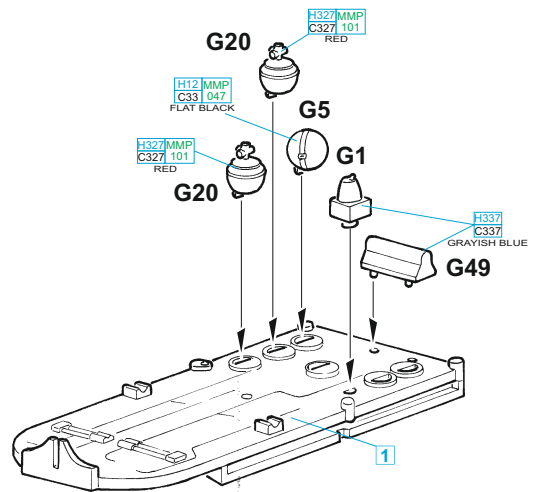
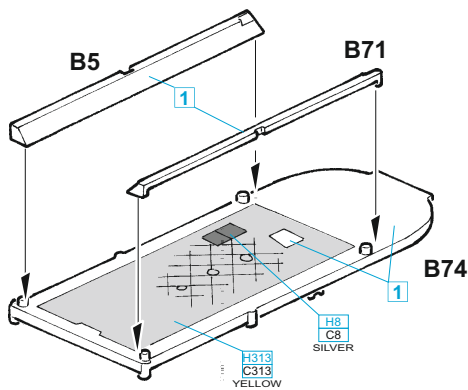
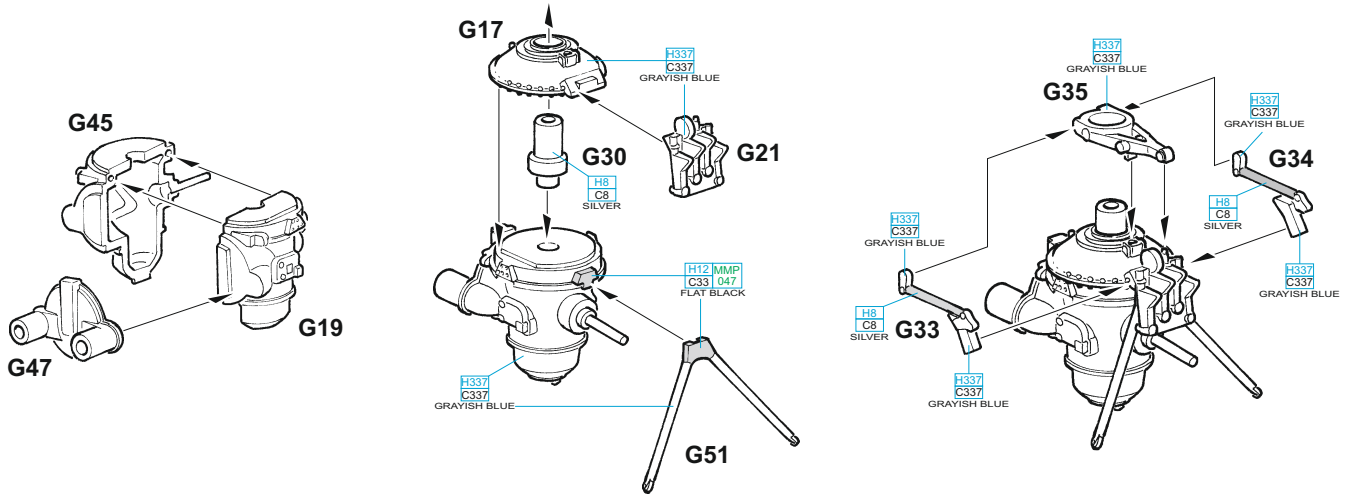
MARKINGS **B,C,E,F,H**



MARKINGS **A,D,G**

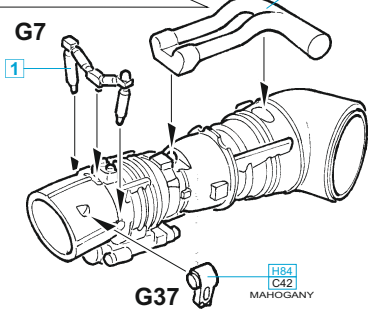
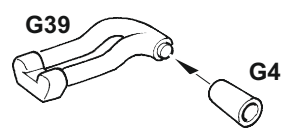
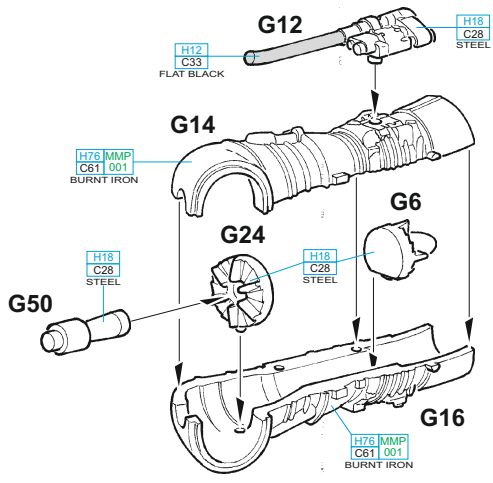


3

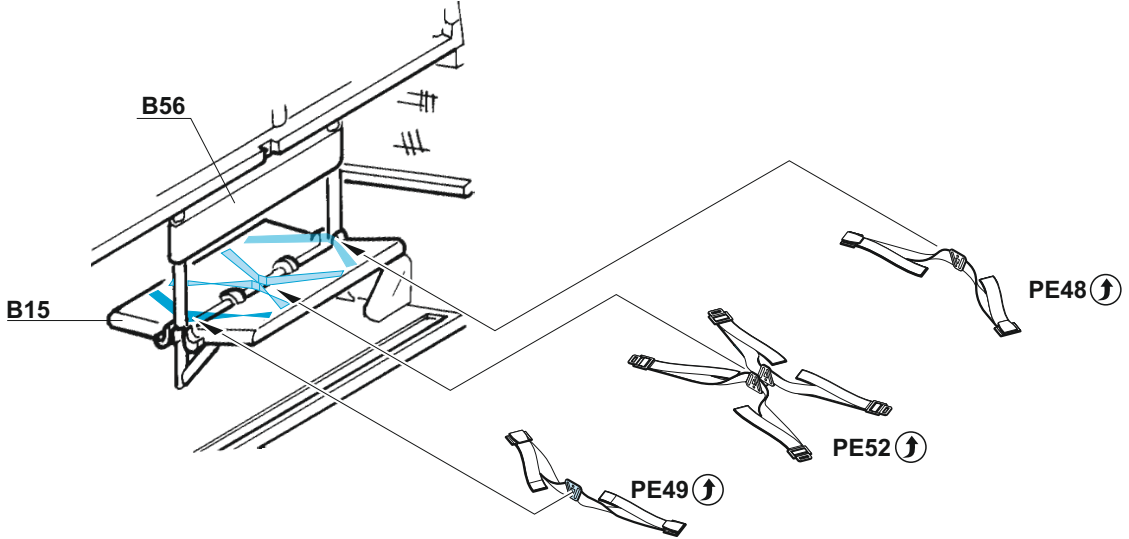
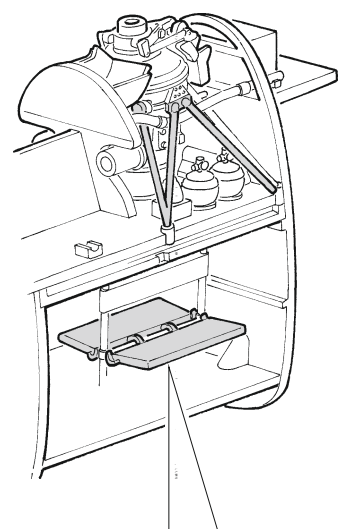
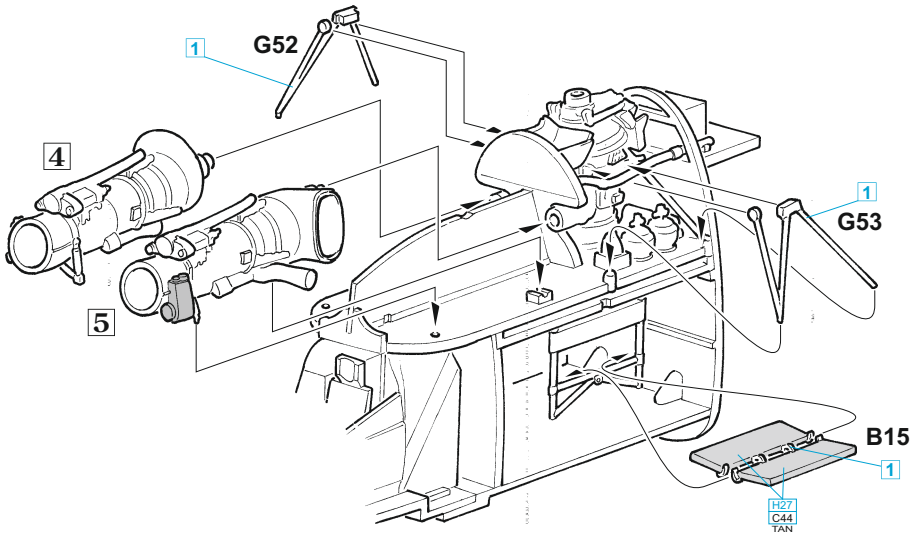
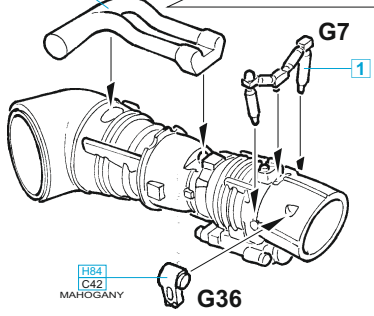
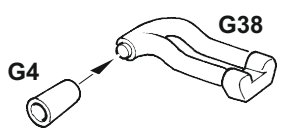
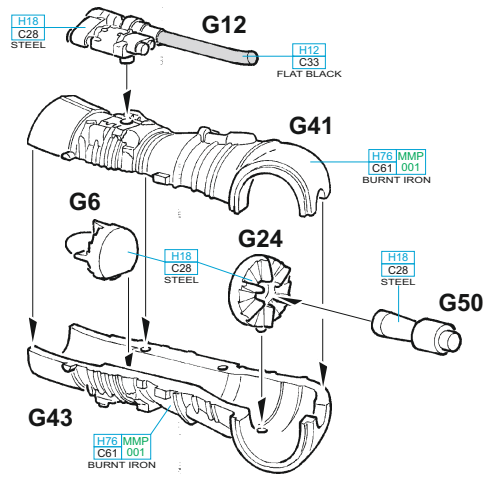


SEE PAGE 25 FOR INNER STENCILING

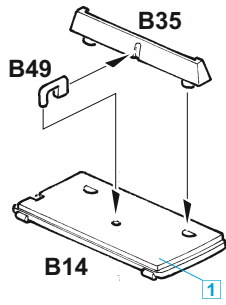
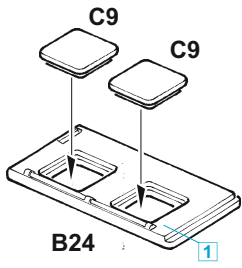
4



5

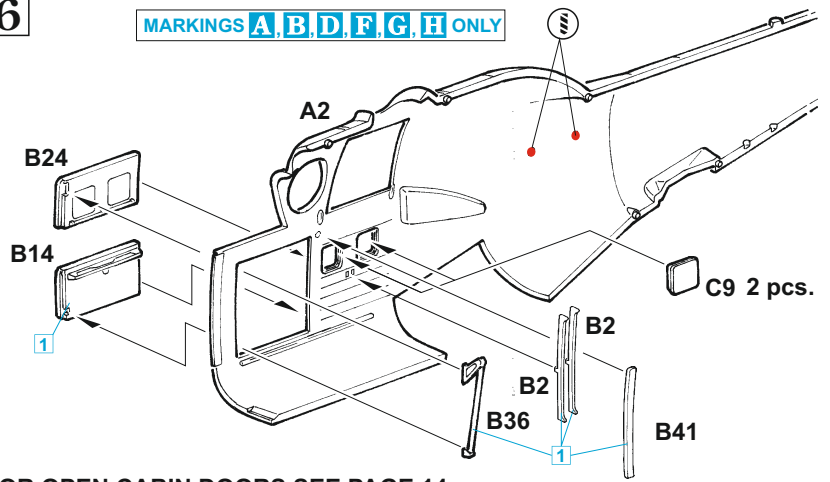


6



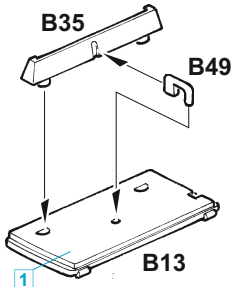
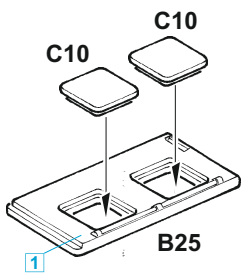
6

MARKINGS **A, B, D, F, G, H** ONLY



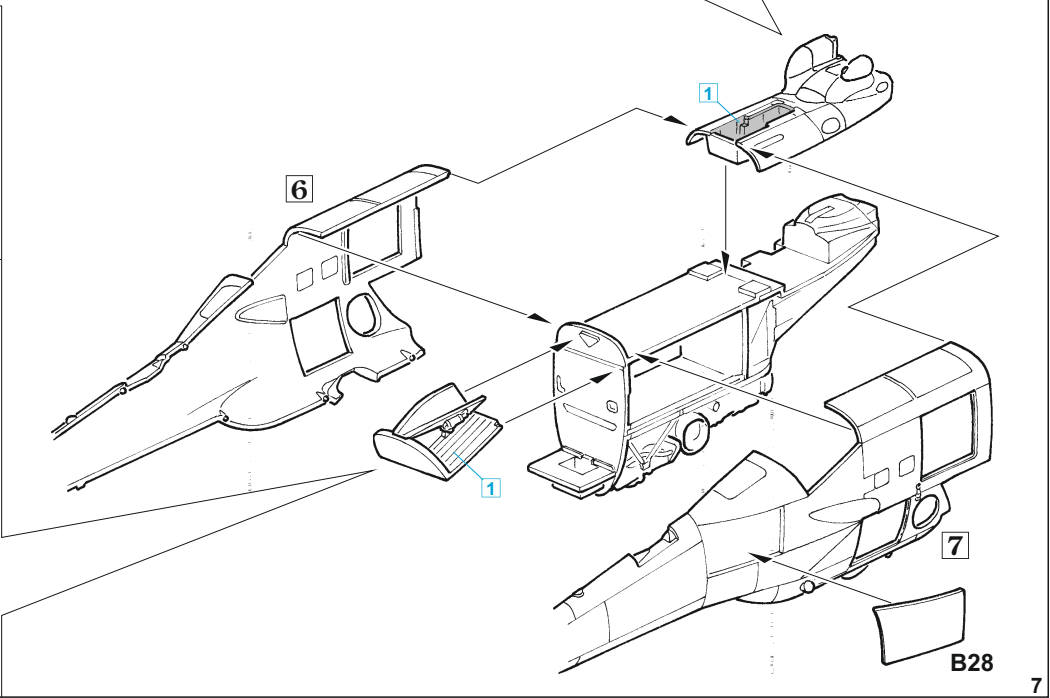
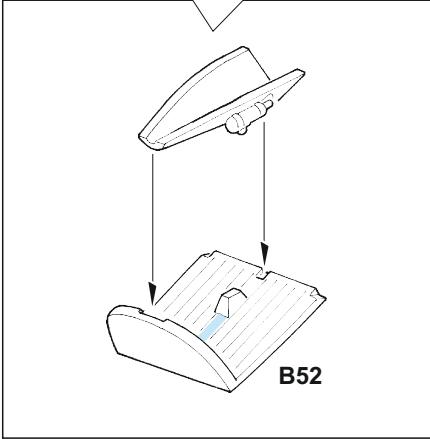
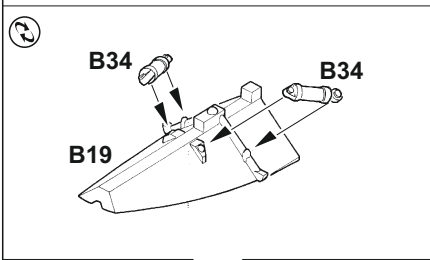
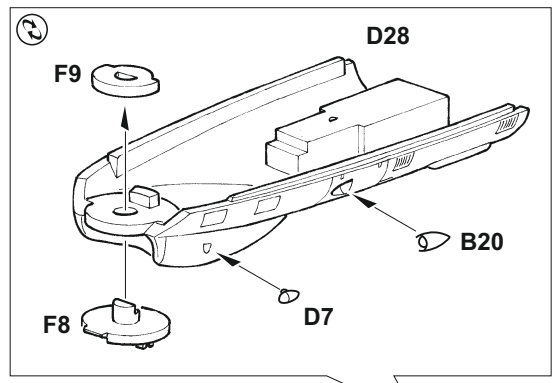
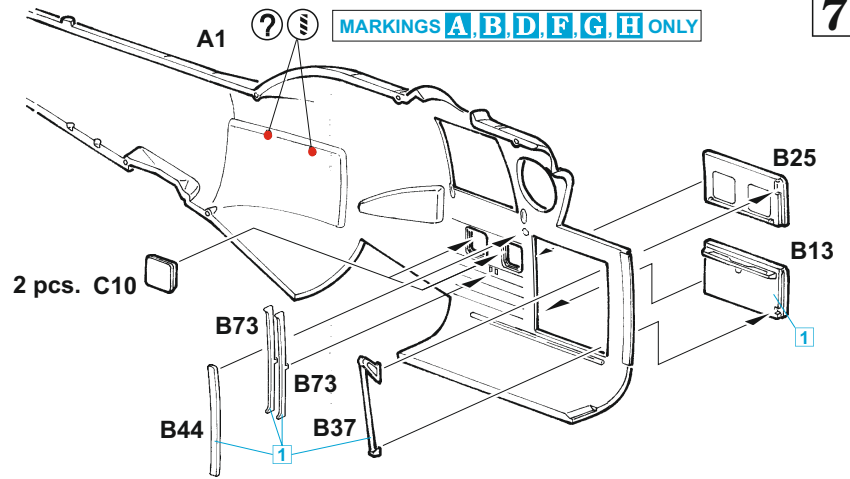
FOR OPEN CABIN DOORS SEE PAGE 14

SEE PAGE 25 FOR INNER STENCILING



7

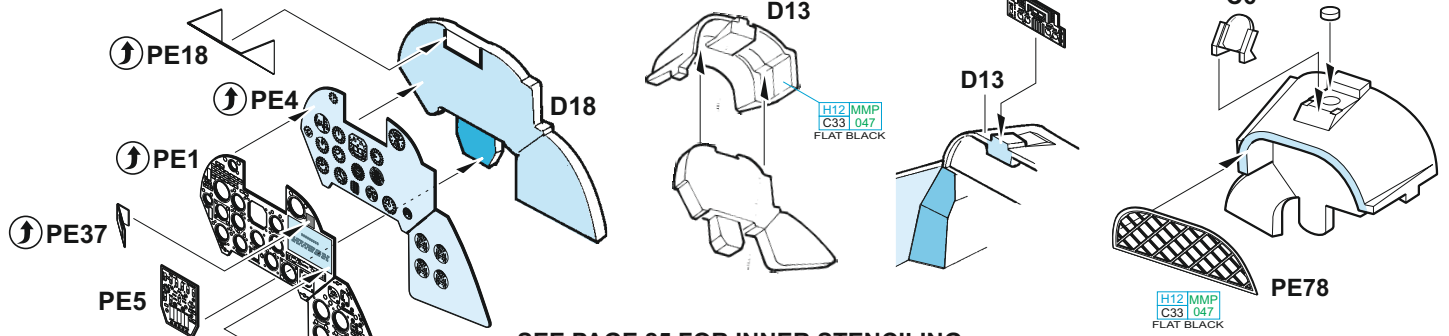
MARKINGS **A, B, D, F, G, H** ONLY



11163-LEPT1 - MARKINGS B, C, E, F, H

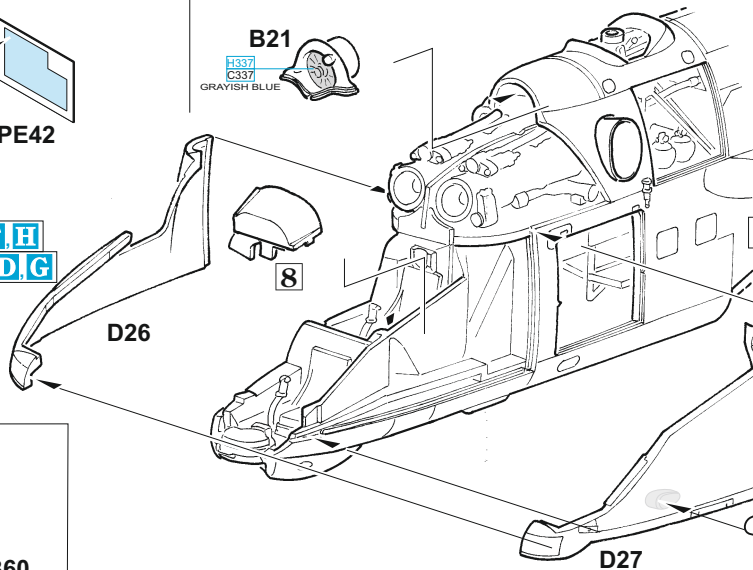
11163-LEPT2 - MARKINGS A, D, G

8



SEE PAGE 25 FOR INNER STENCILING

PE2, film - MARKINGS B, C, E, F, H
PE36, PE42, PE45 - MARKINGS A, D, G



MARKINGS A, B, D, F, G, H ONLY

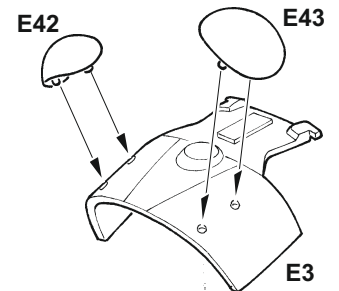
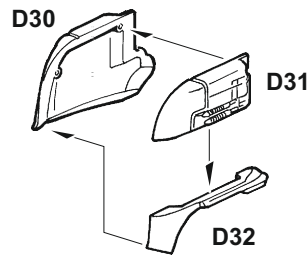
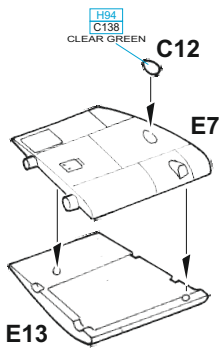
MARKINGS C, E ONLY



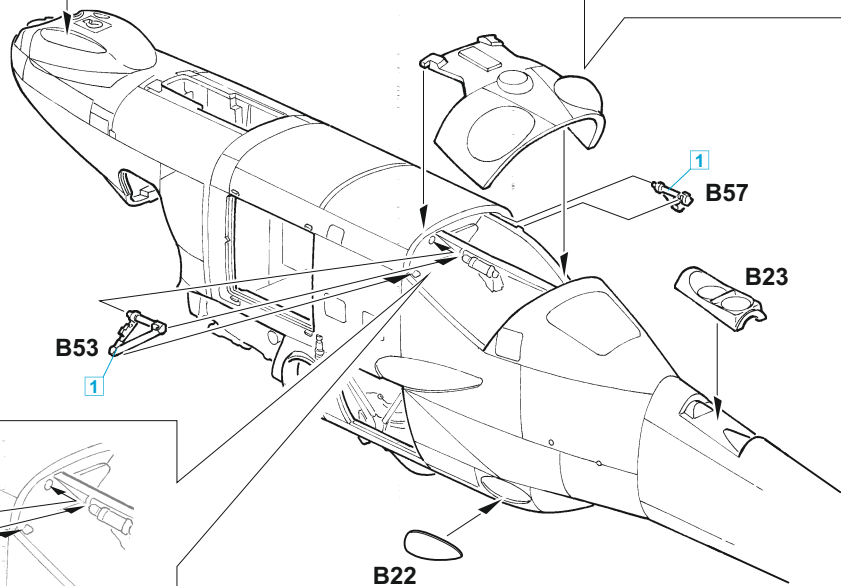
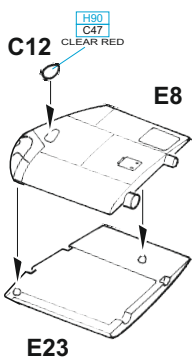
MARKINGS C, E ONLY



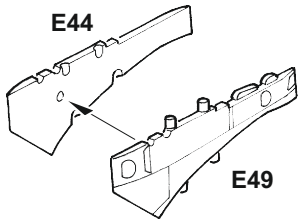
9



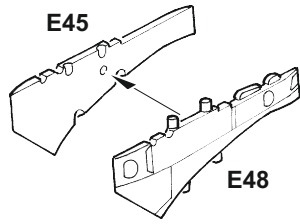
10



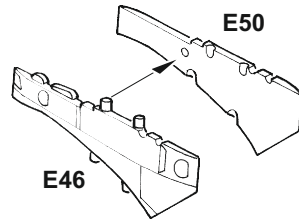
11



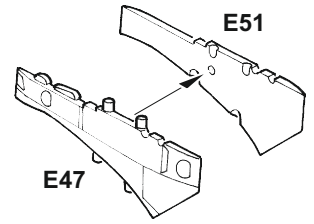
12



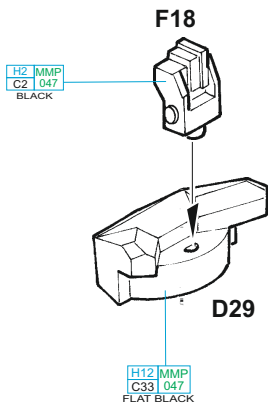
13



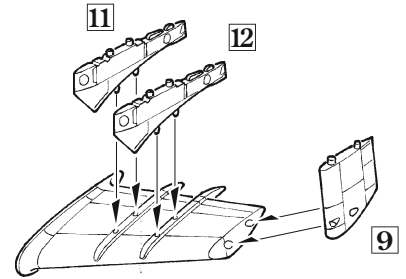
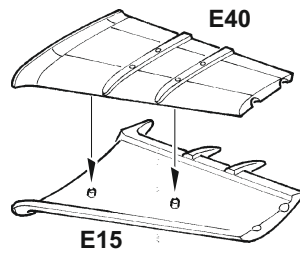
14



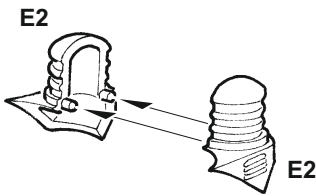
15



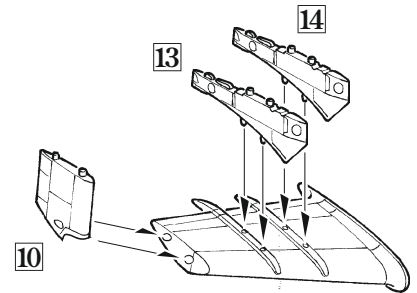
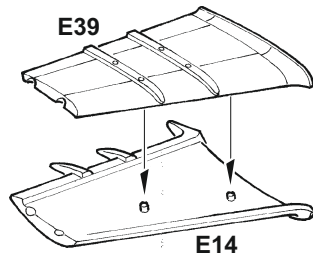
16



17

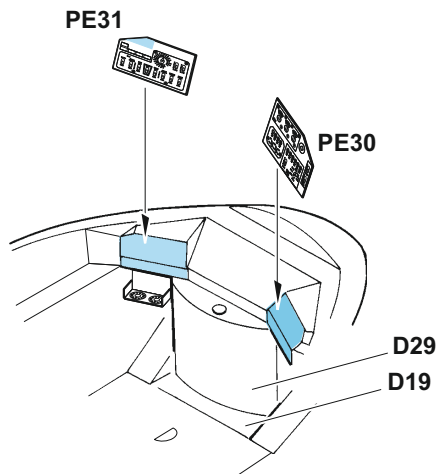


18

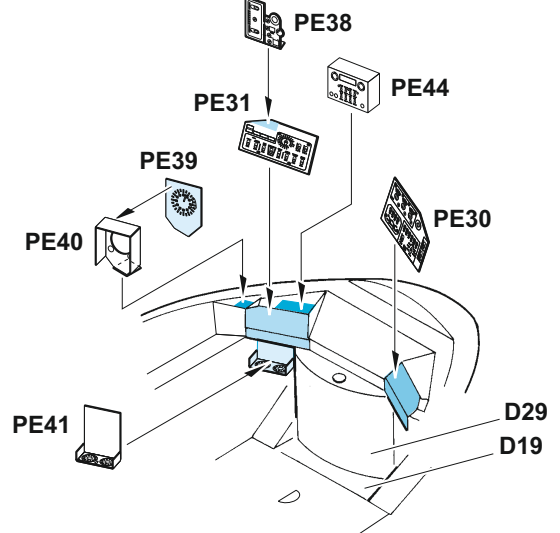


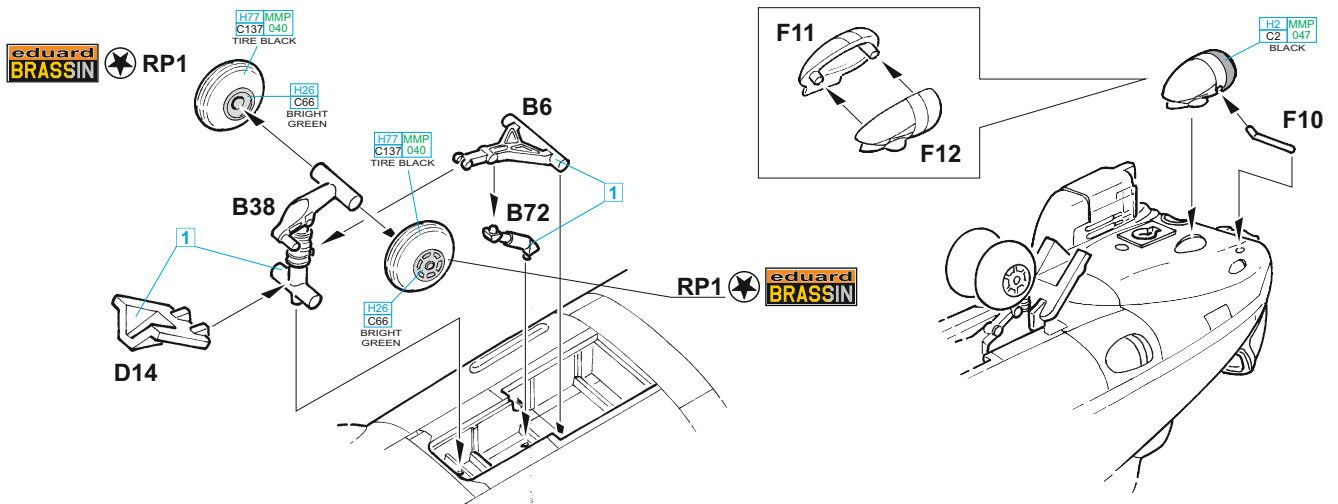
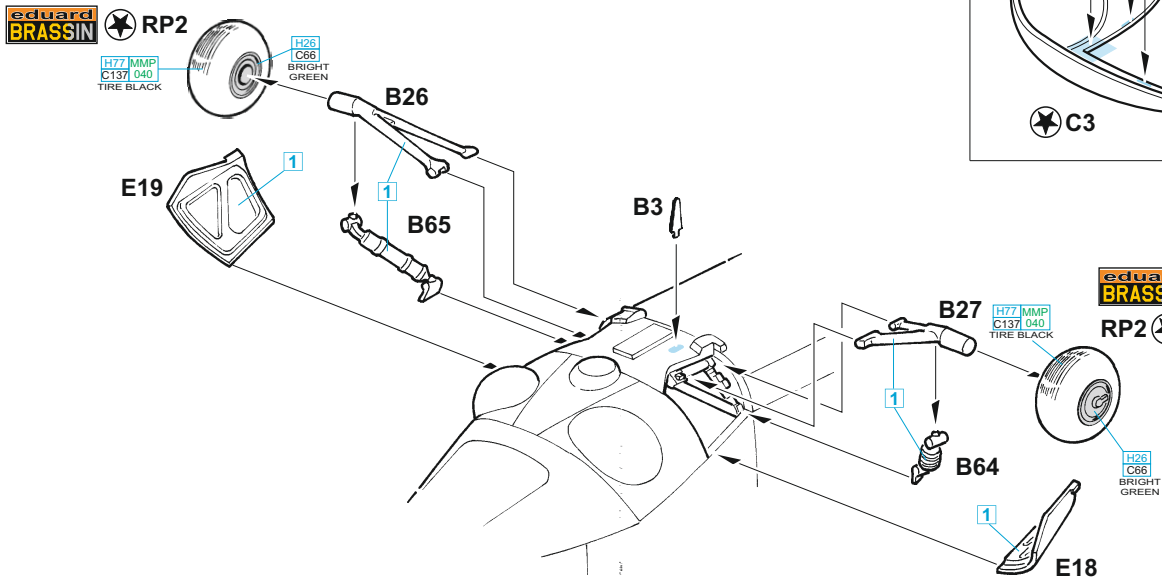
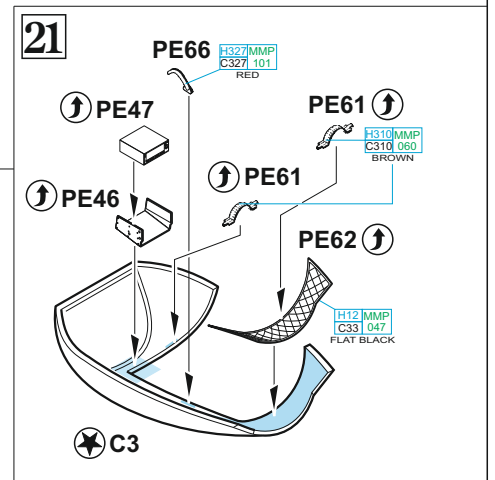
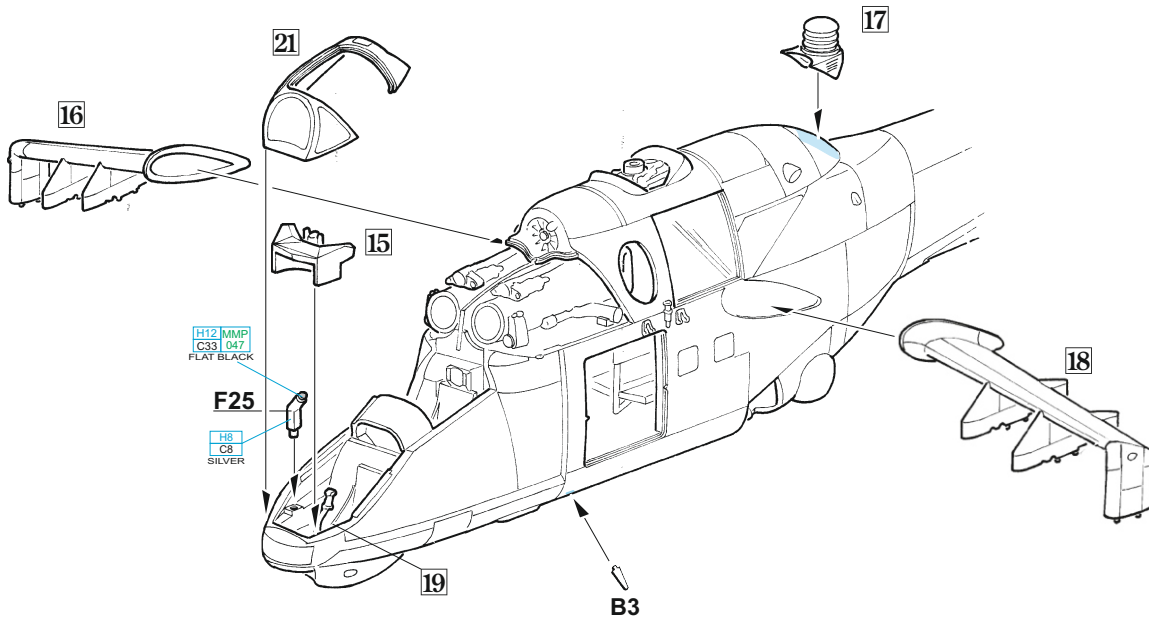
19

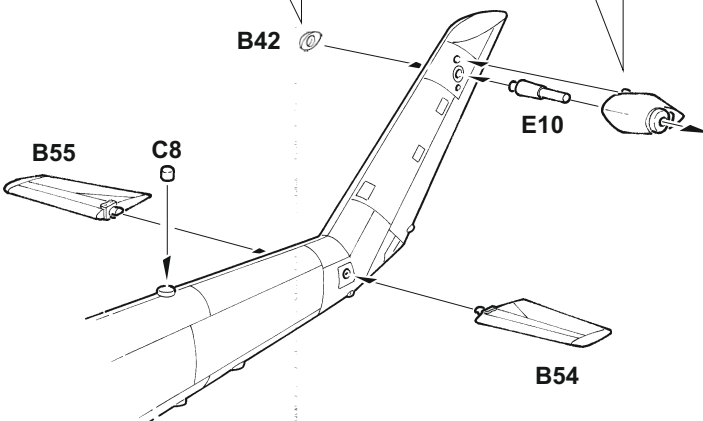
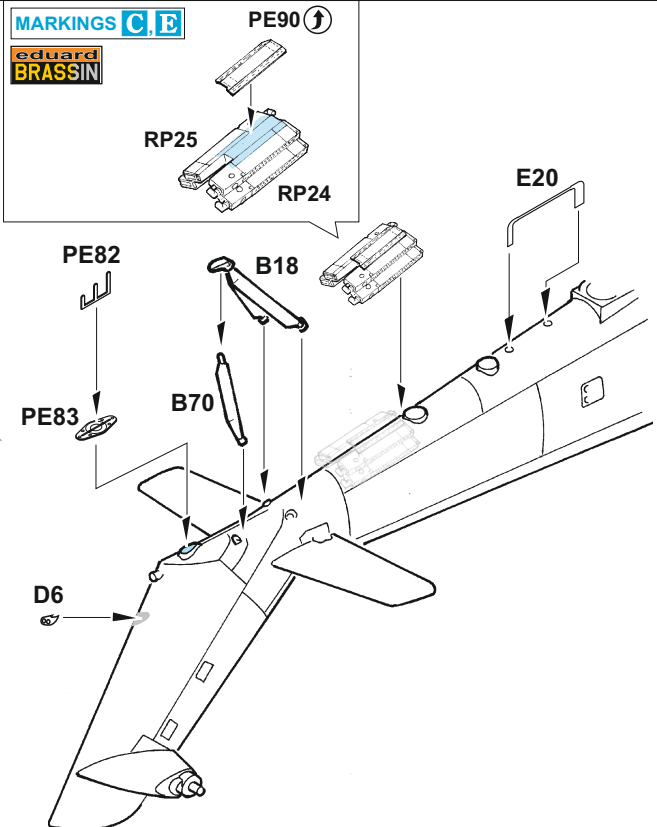
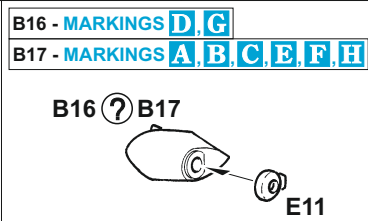
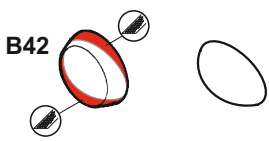
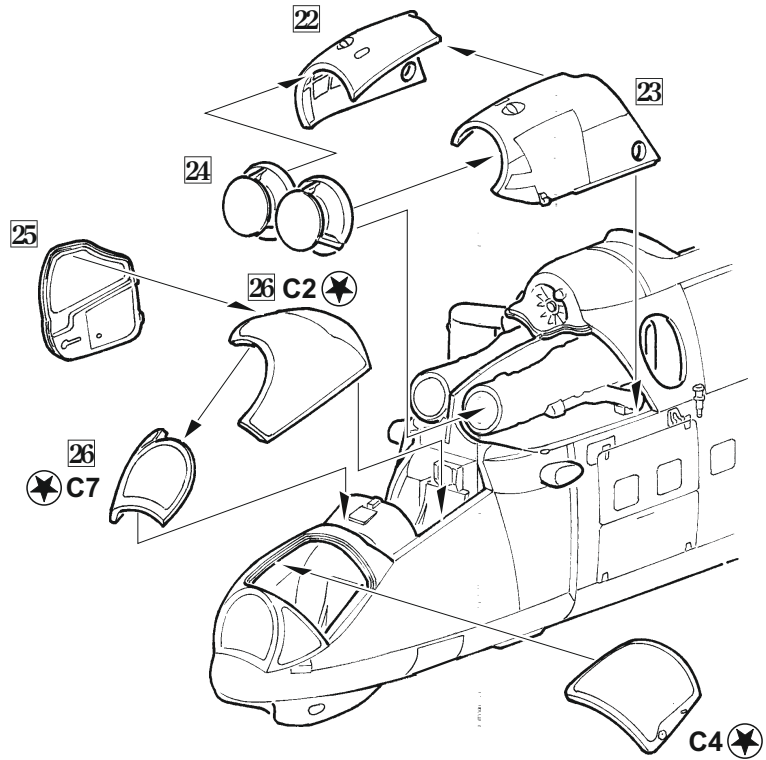
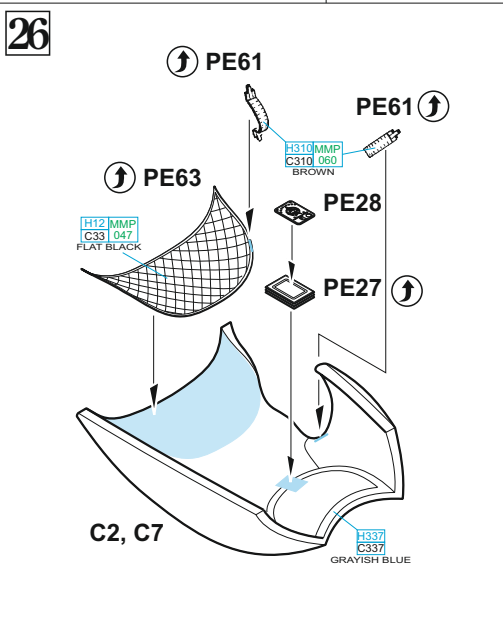
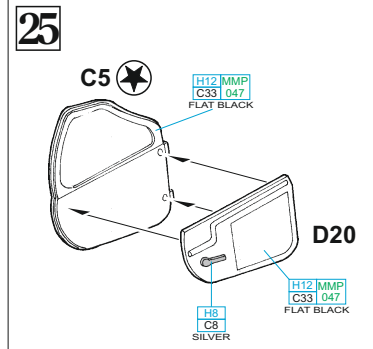
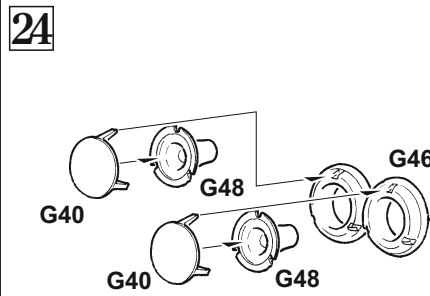
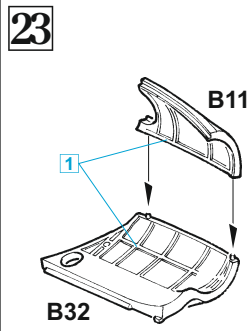
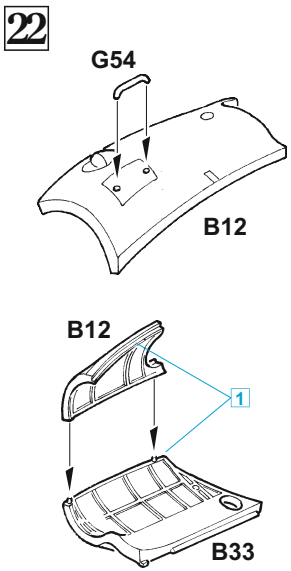
11163-LEPT1 - MARKINGS B, C, E, F, H



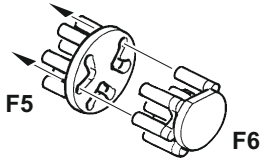
11163-LEPT2 - MARKINGS A, D, G



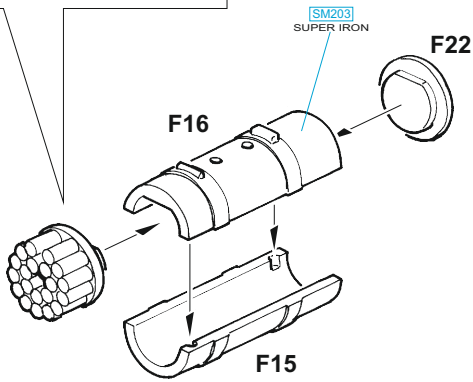




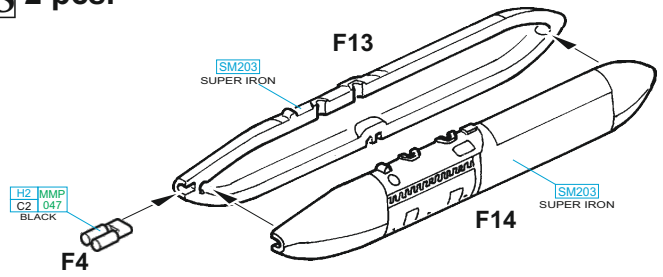
4 pcs.



27 4 pcs.



28 2 pcs.

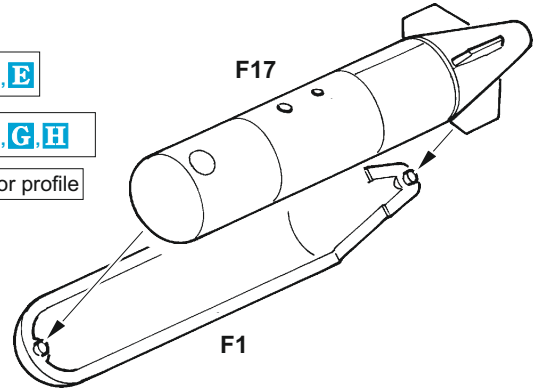


29 4 pcs.

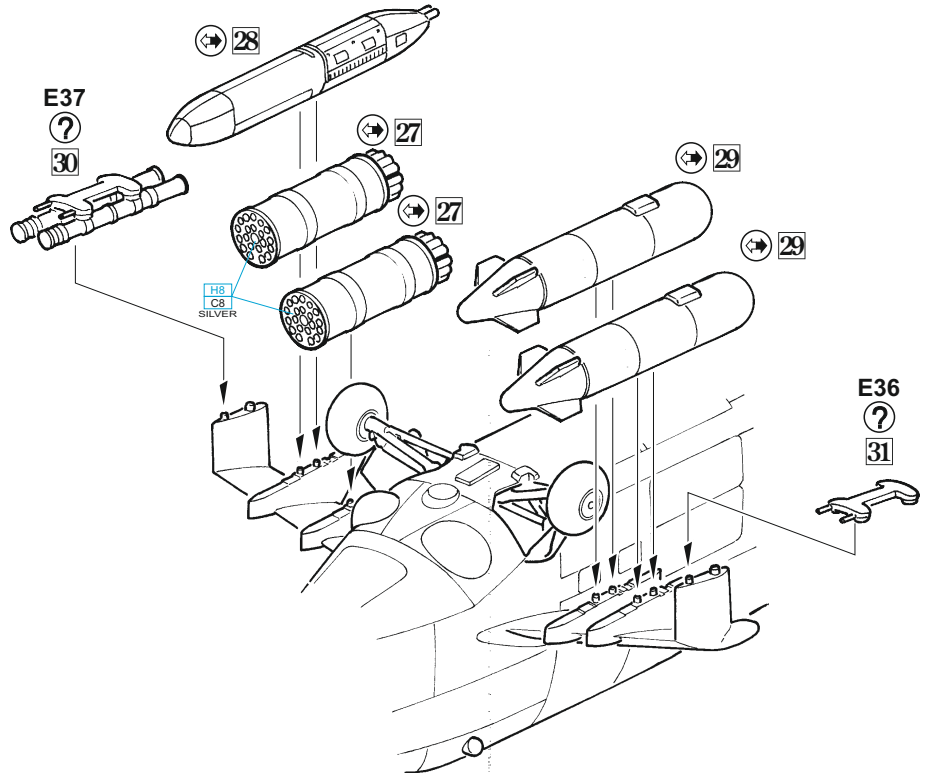
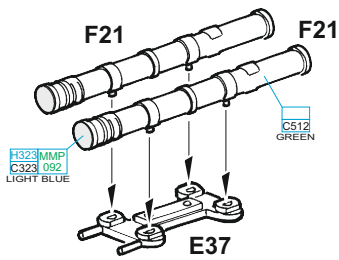
H417/MMP C117 089 - MARKINGS B, E
LIGHT BLUE

H308/MMP C308 073 - MARKINGS C, G, H
GRAY

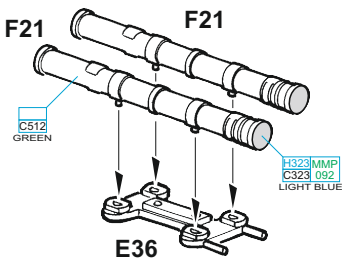
MARKING A - see color profile



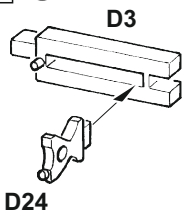
30



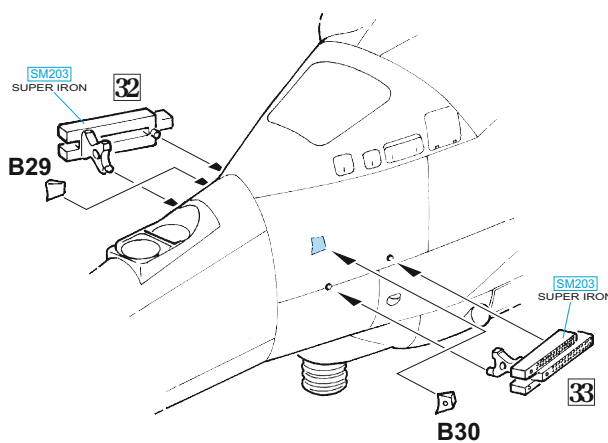
31



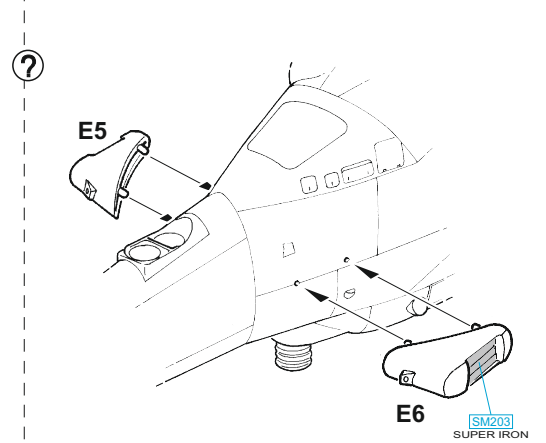
32 ?



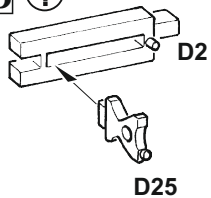
MARKINGS A, D, G

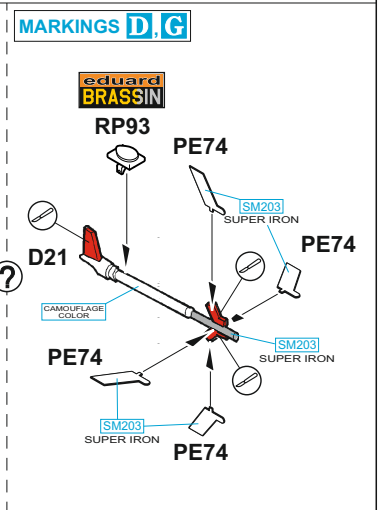
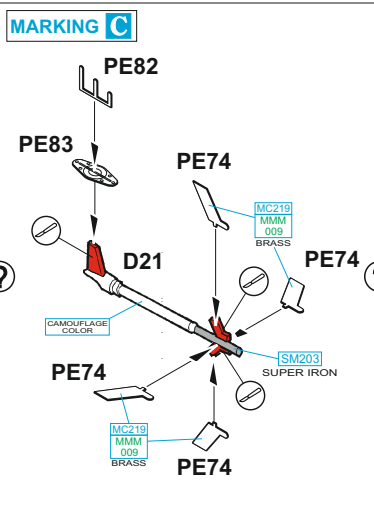
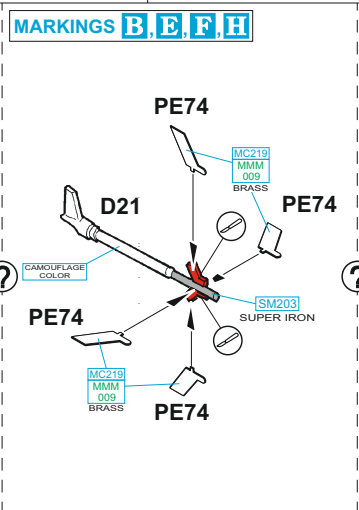
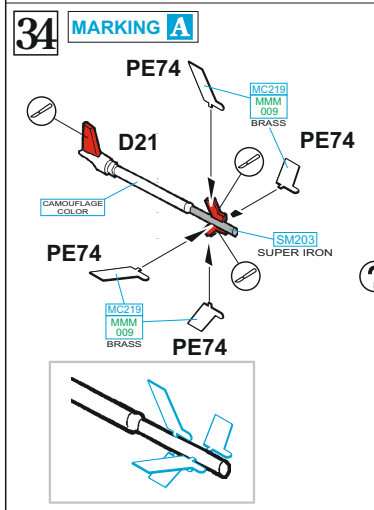
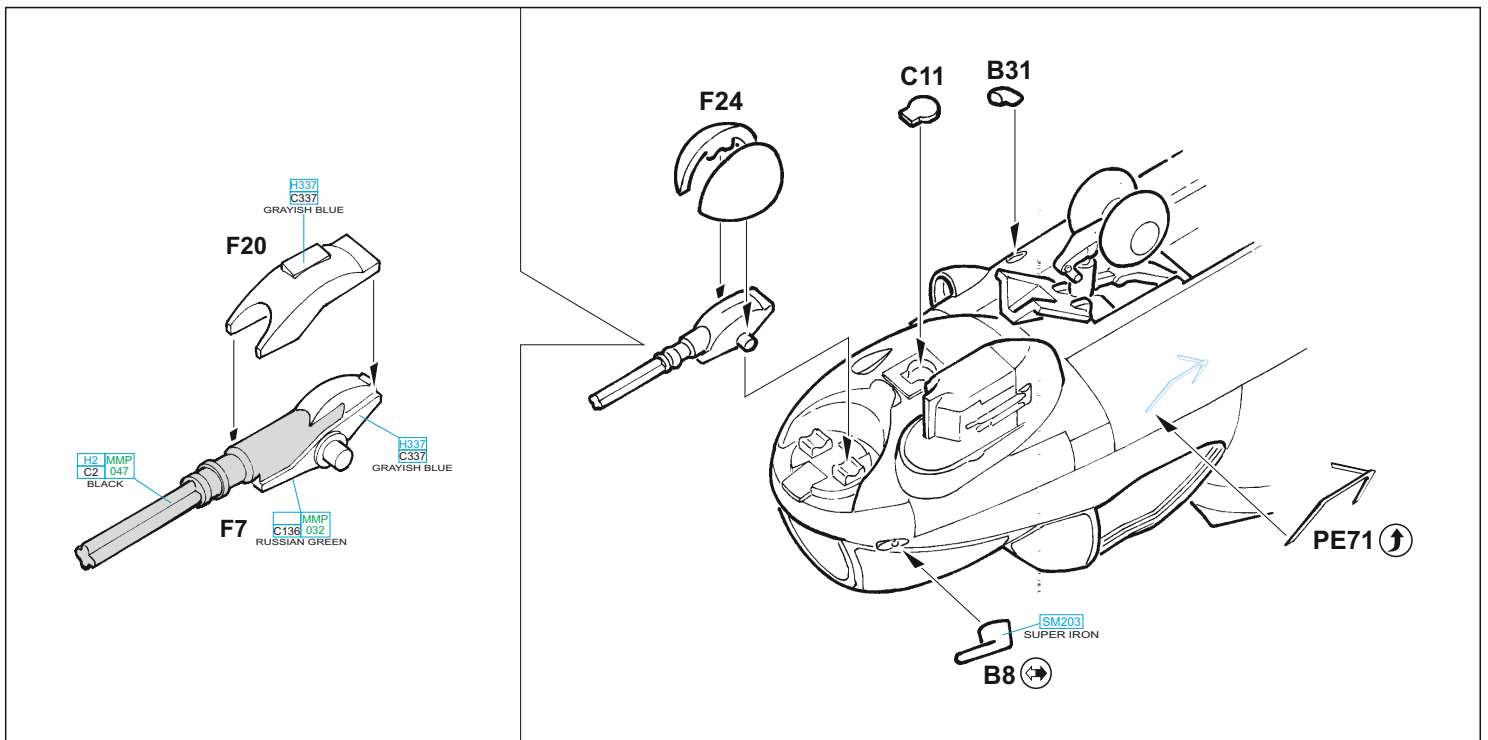


MARKINGS B, F, H

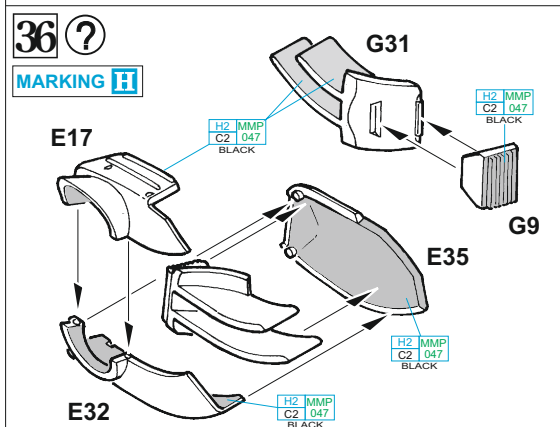
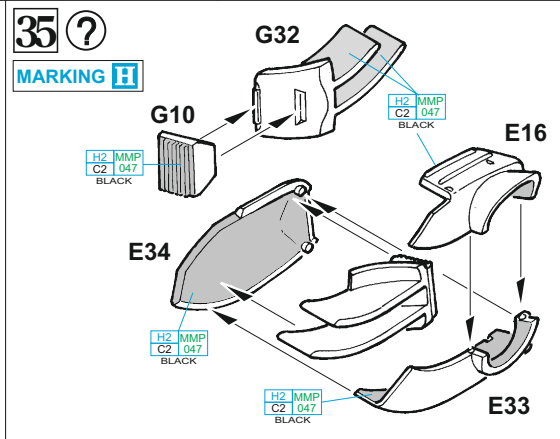
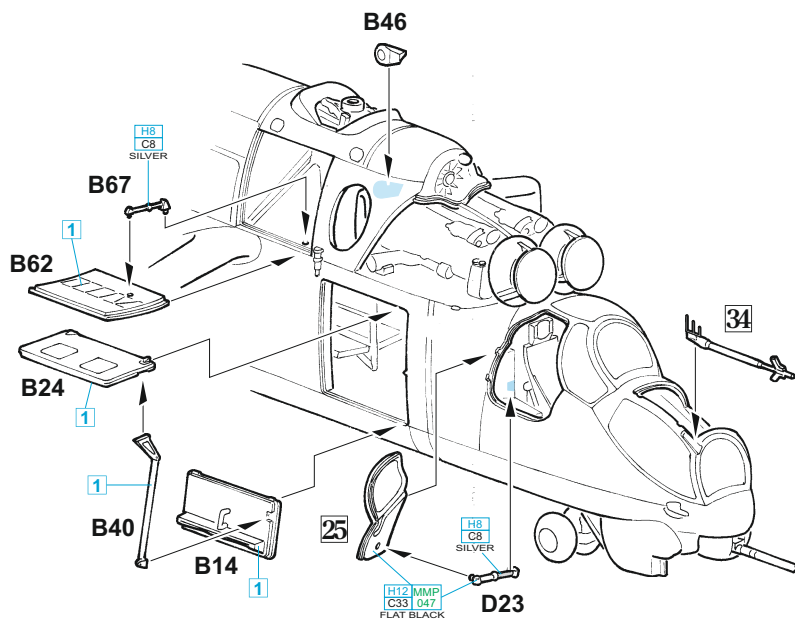


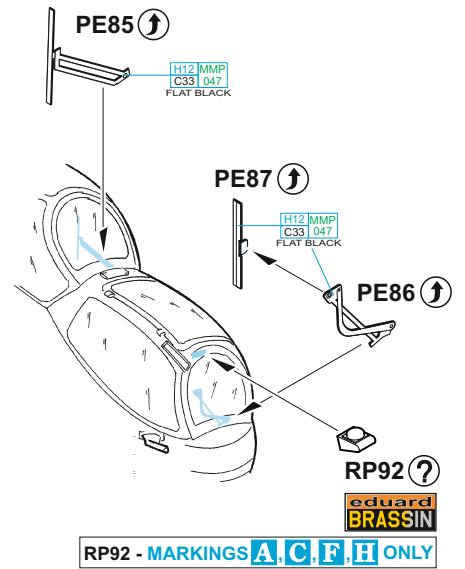
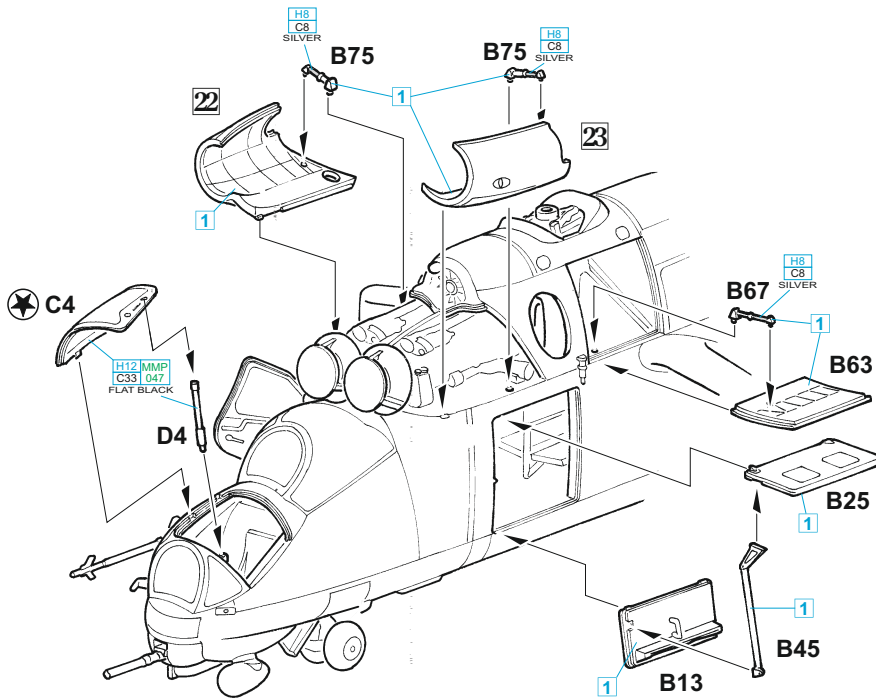
33 ?





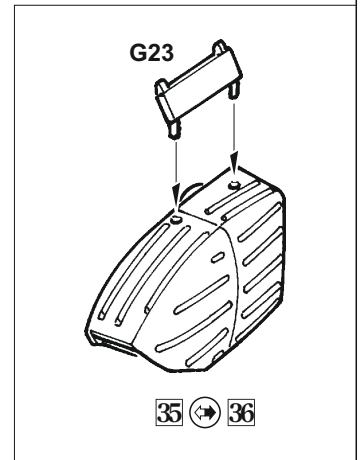
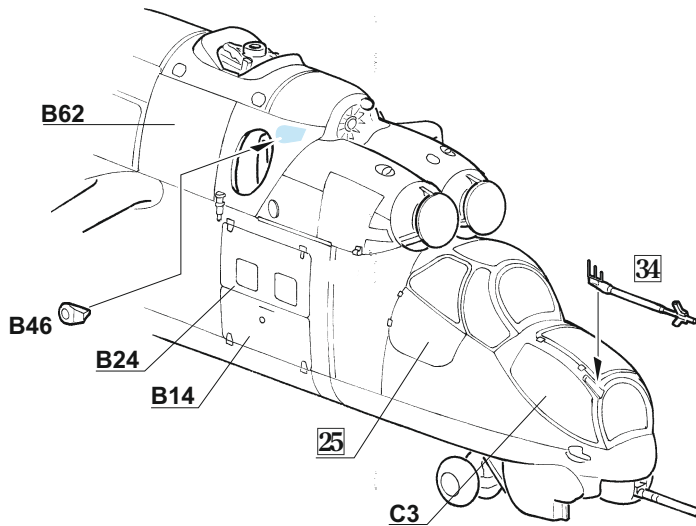
OPENED CANOPY, ACCESS AND CABIN DOORS





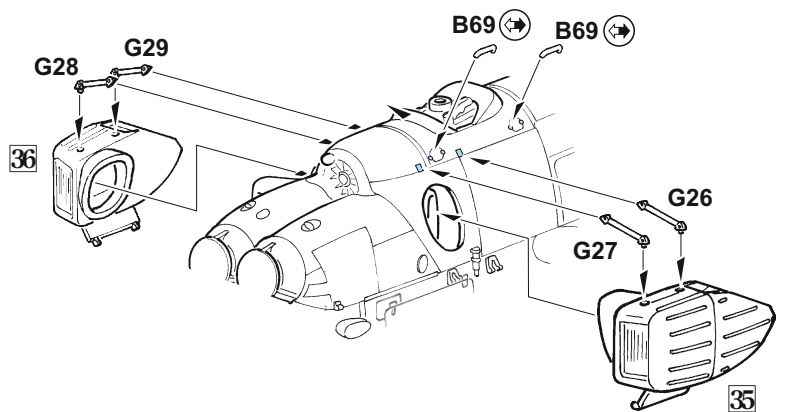
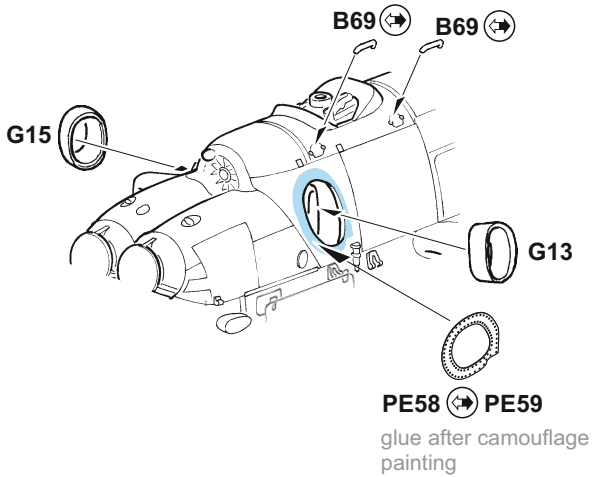
RP92 - MARKINGS **A, C, F, H** ONLY

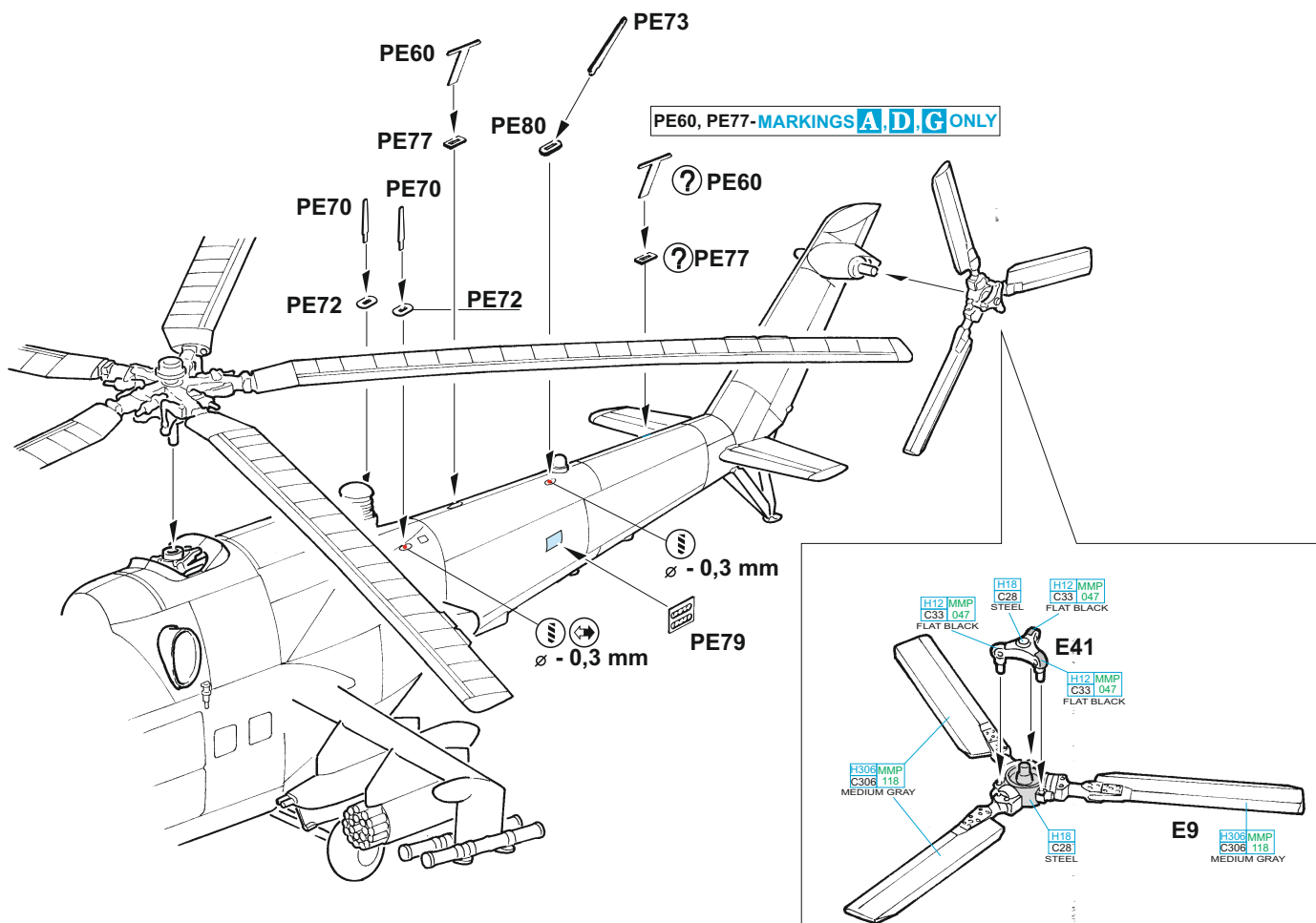
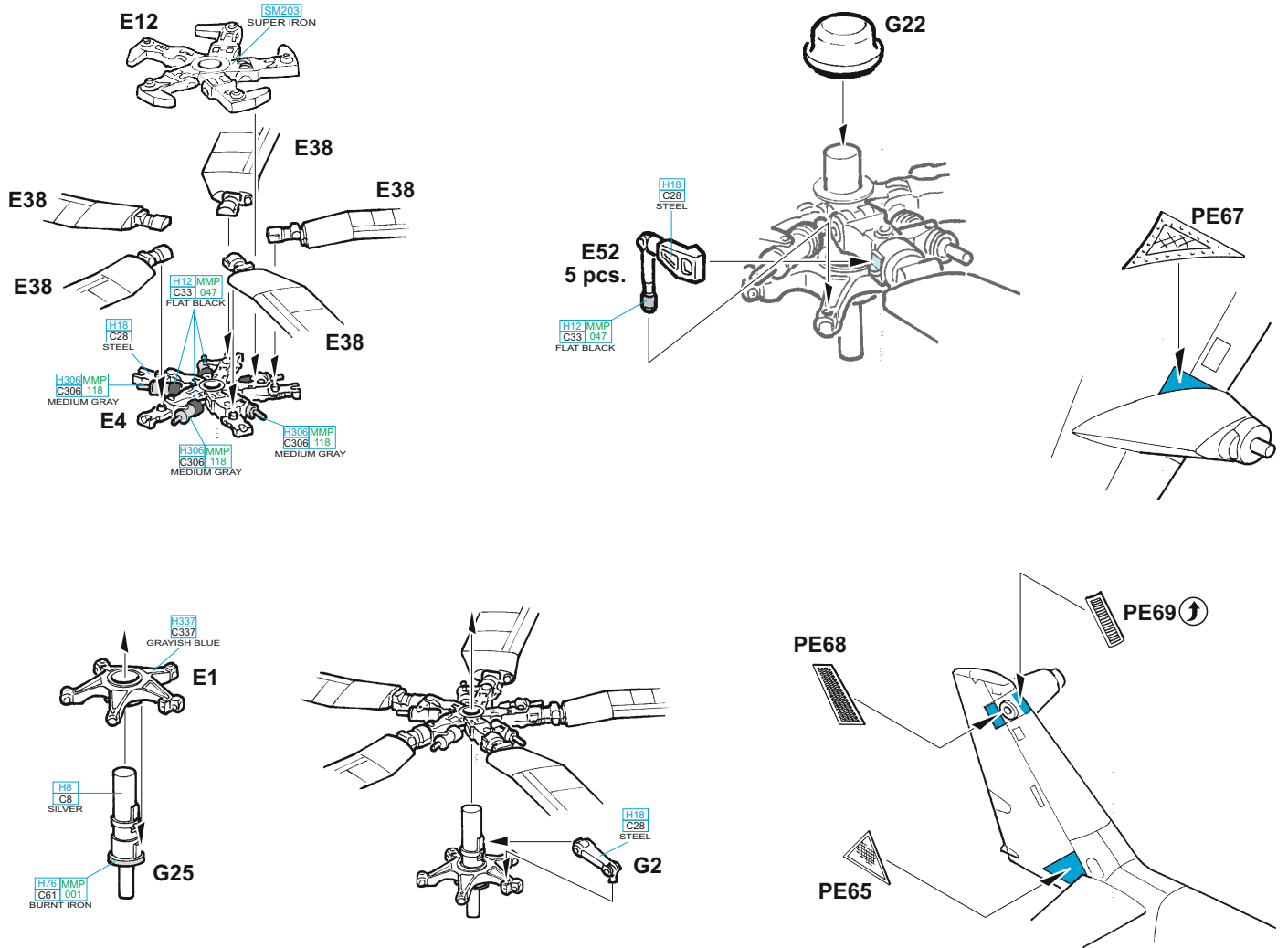
CLOSED CANOPY, ACCESS AND CABIN DOORS

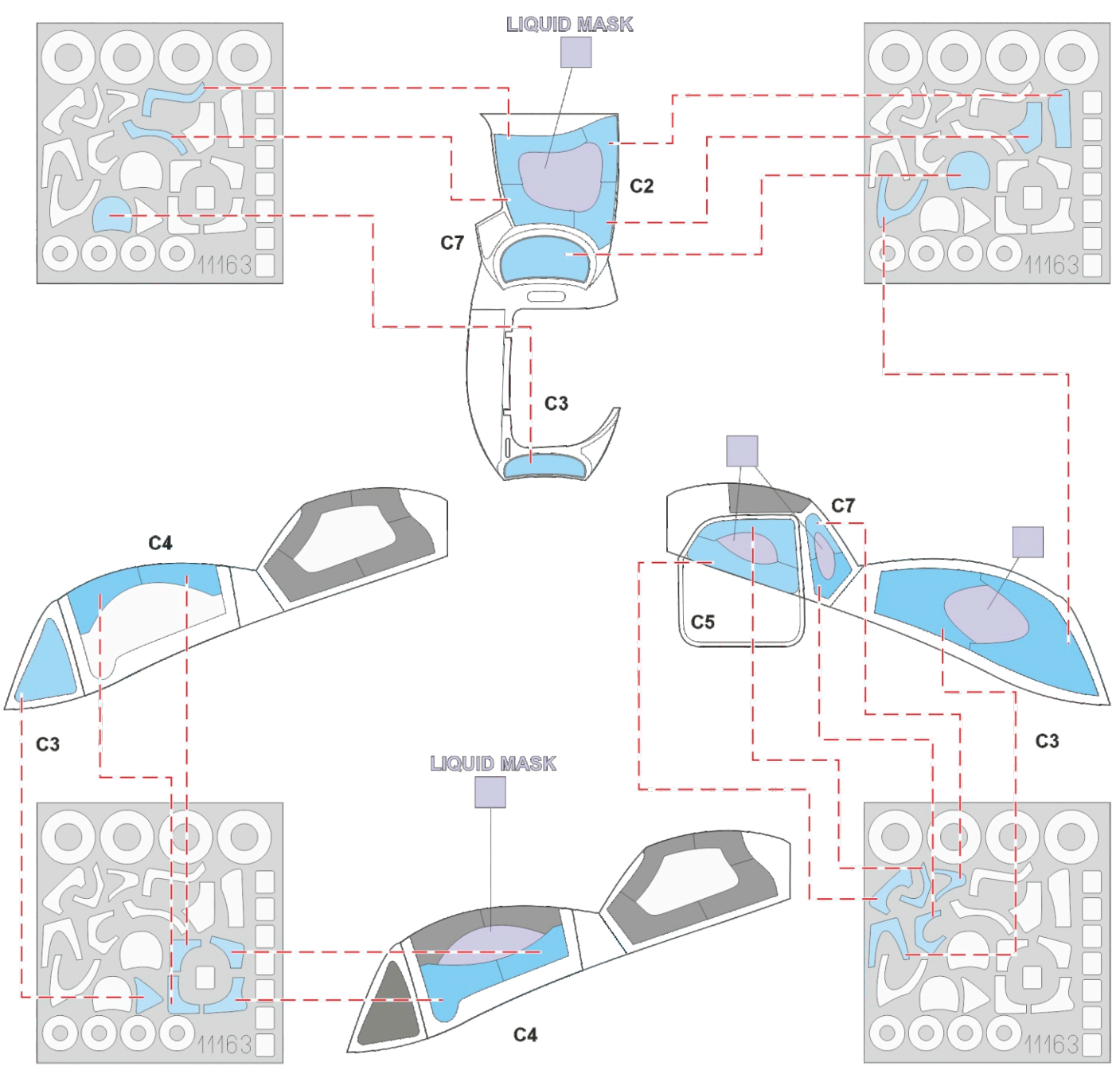
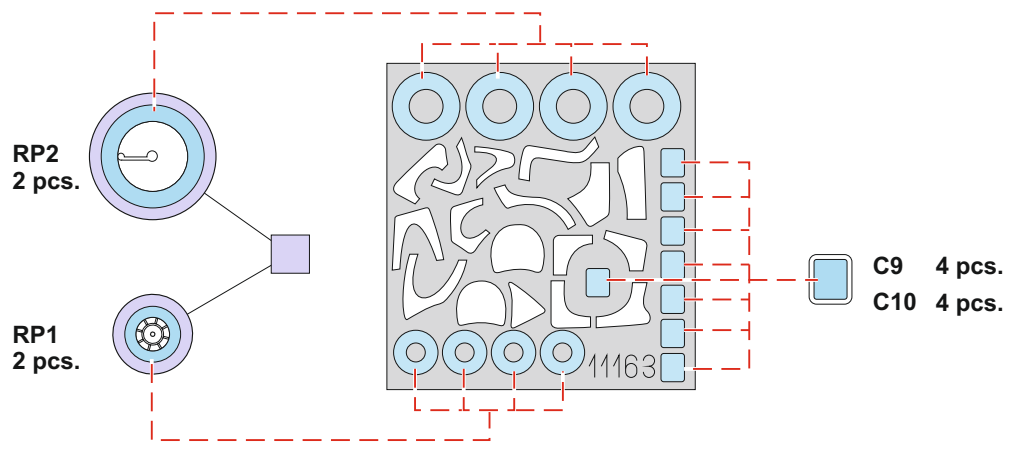


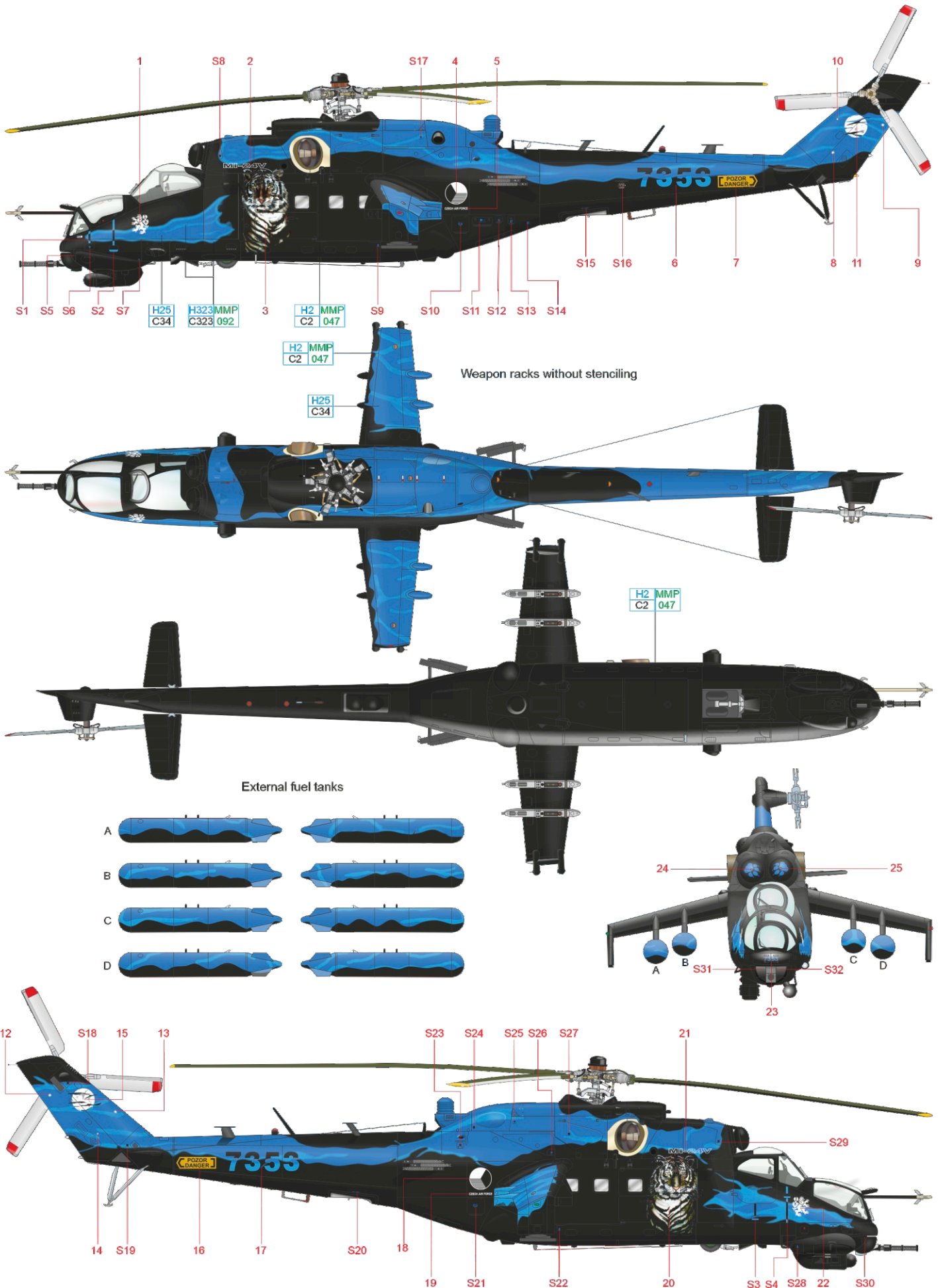
MARKINGS **A, B, C, D, E, F, G**

MARKING **H**

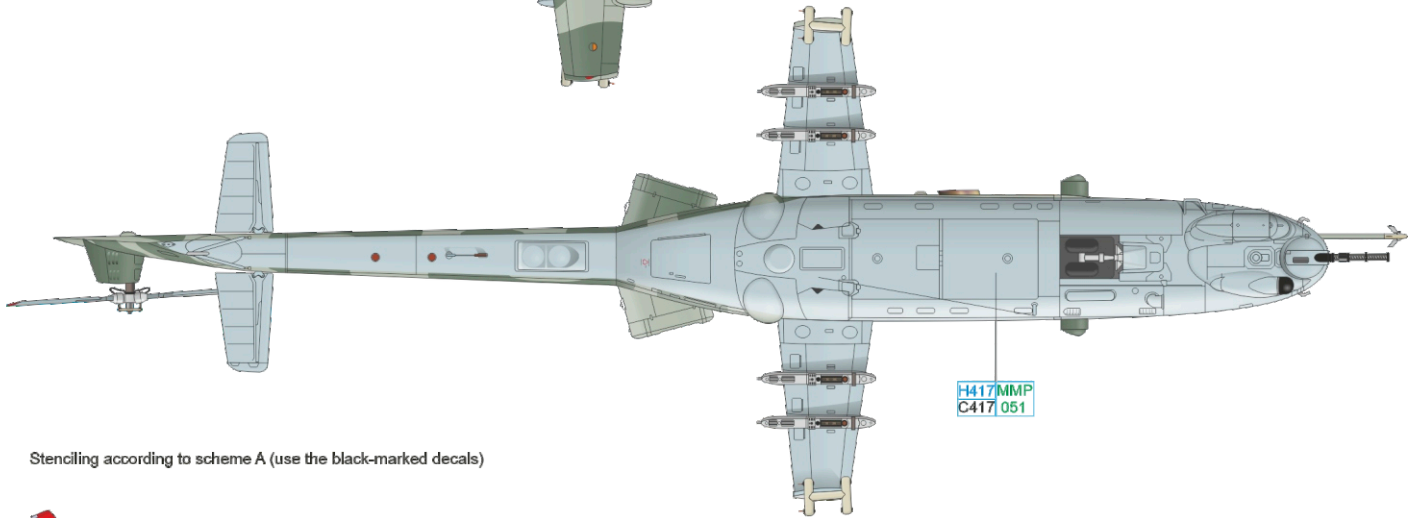
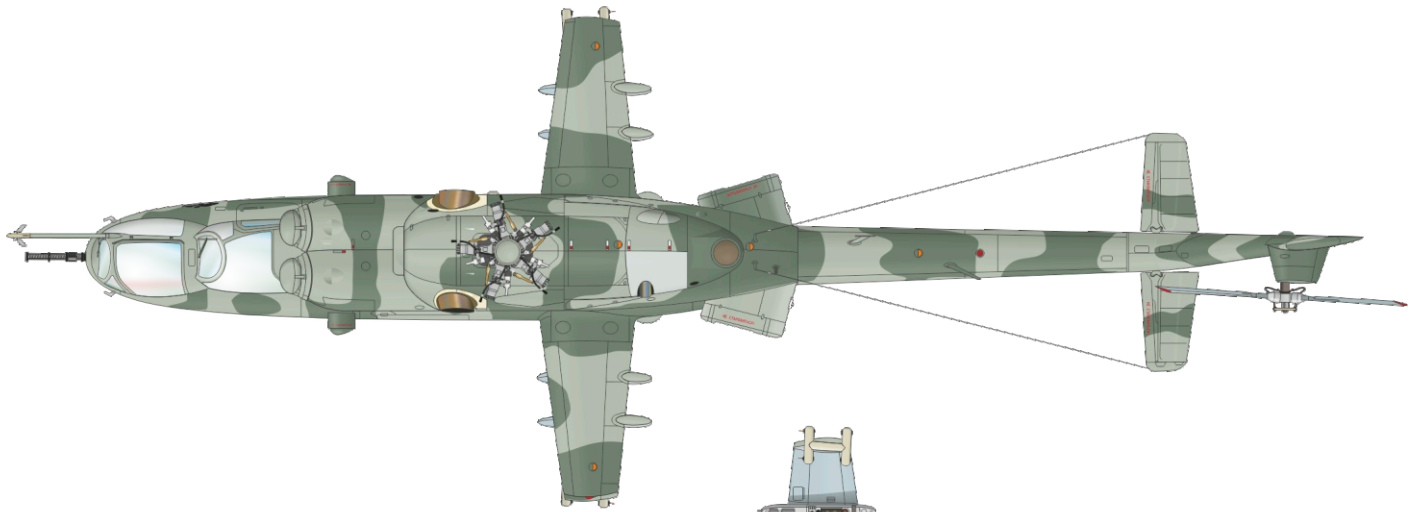
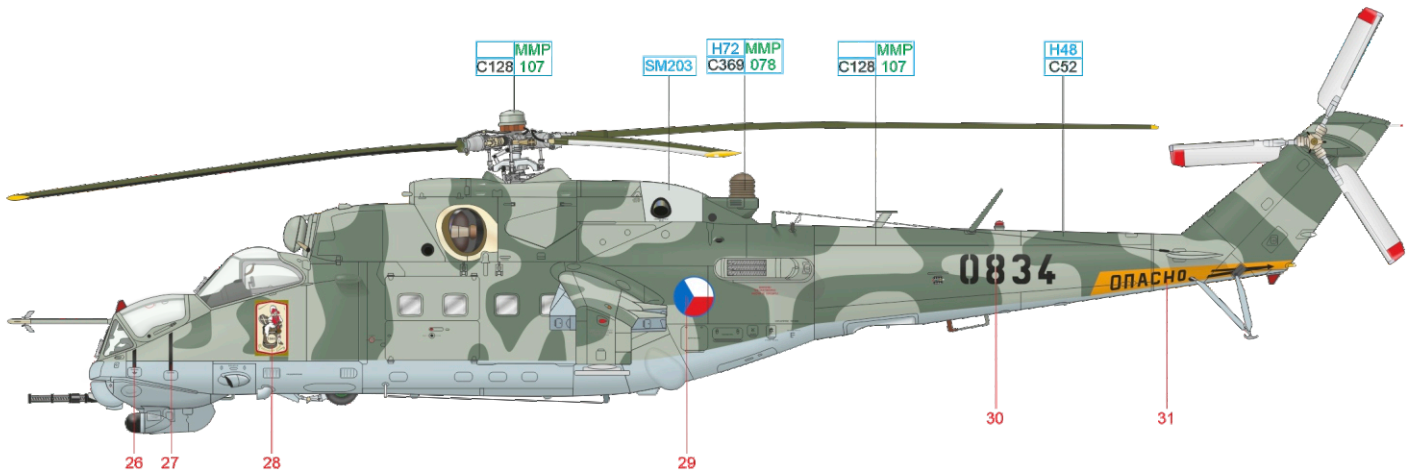






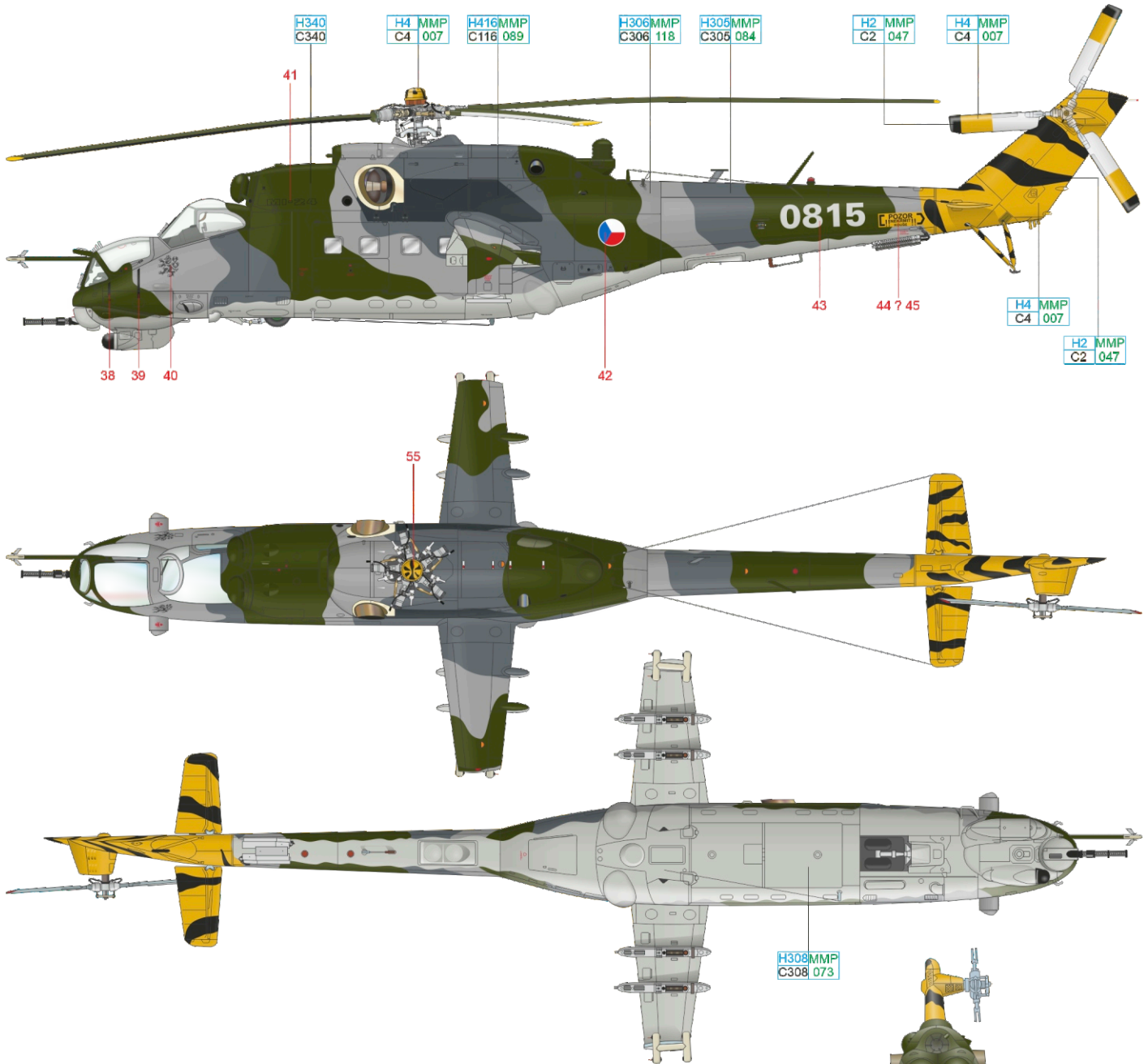


| | | | | | |
|-------|---------------|----------|---------|------------|------------------|
| BLACK | H2 MMP C2 047 | SKY BLUE | H25 C34 | LIGHT BLUE | H323MMP C323 092 |
|-------|---------------|----------|---------|------------|------------------|



Stenciling according to scheme A (use the black-marked decals)

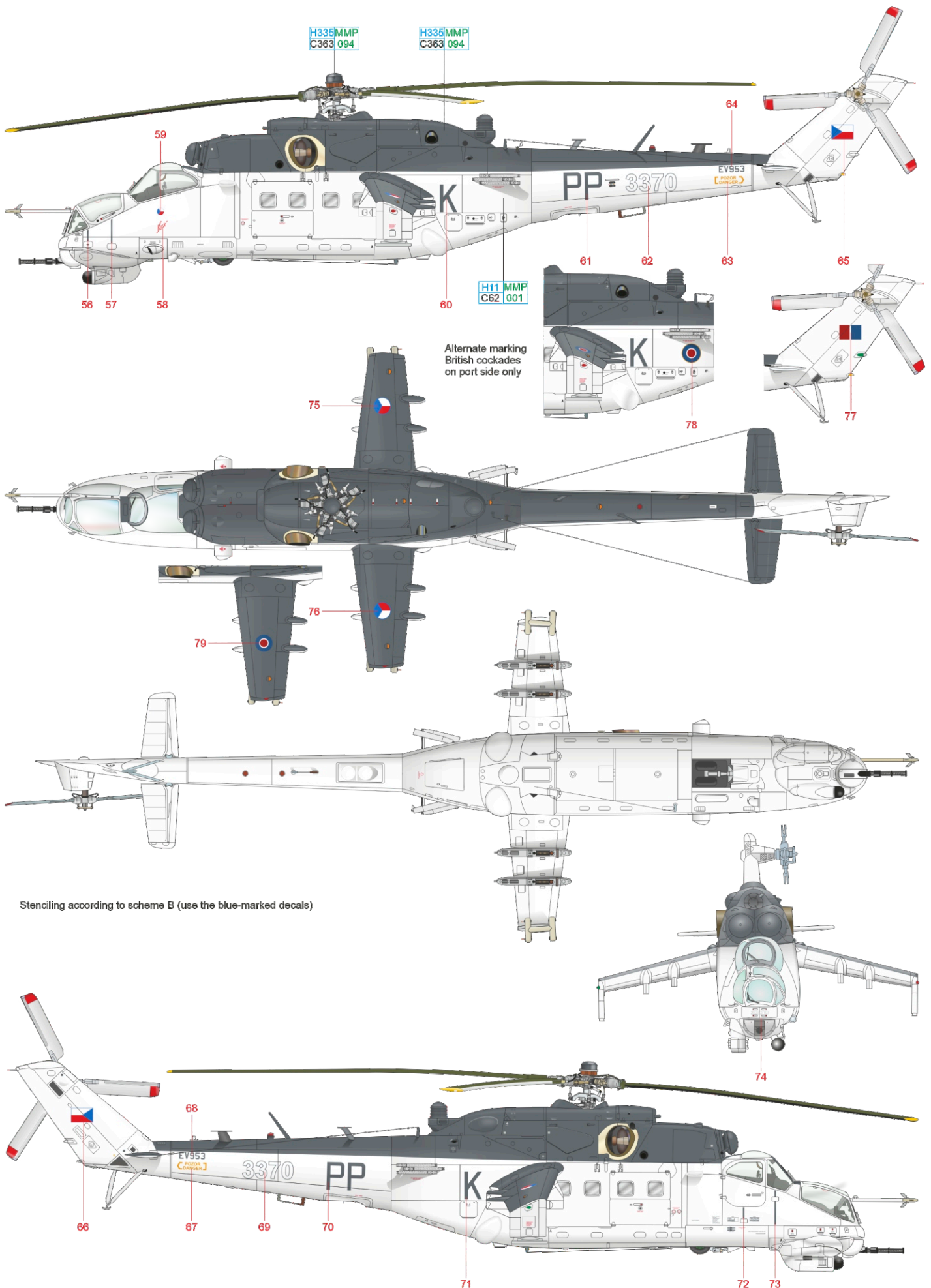




Stenciling according to scheme B (use the red-marked decals)
 Tail stenciling overpainted by „tiger” colours

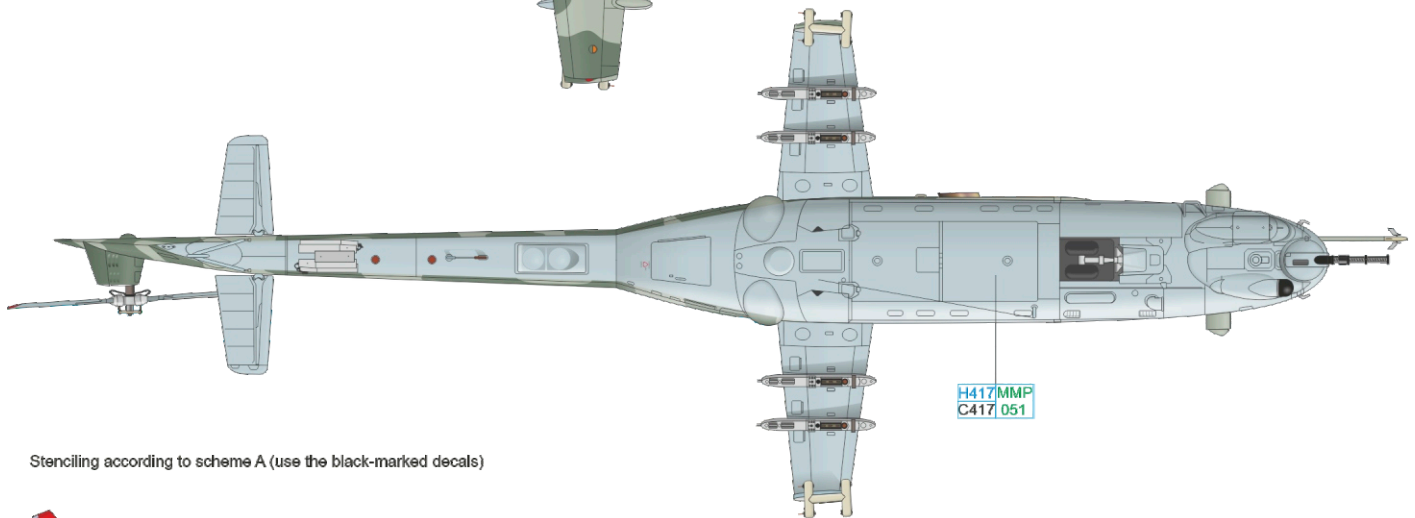
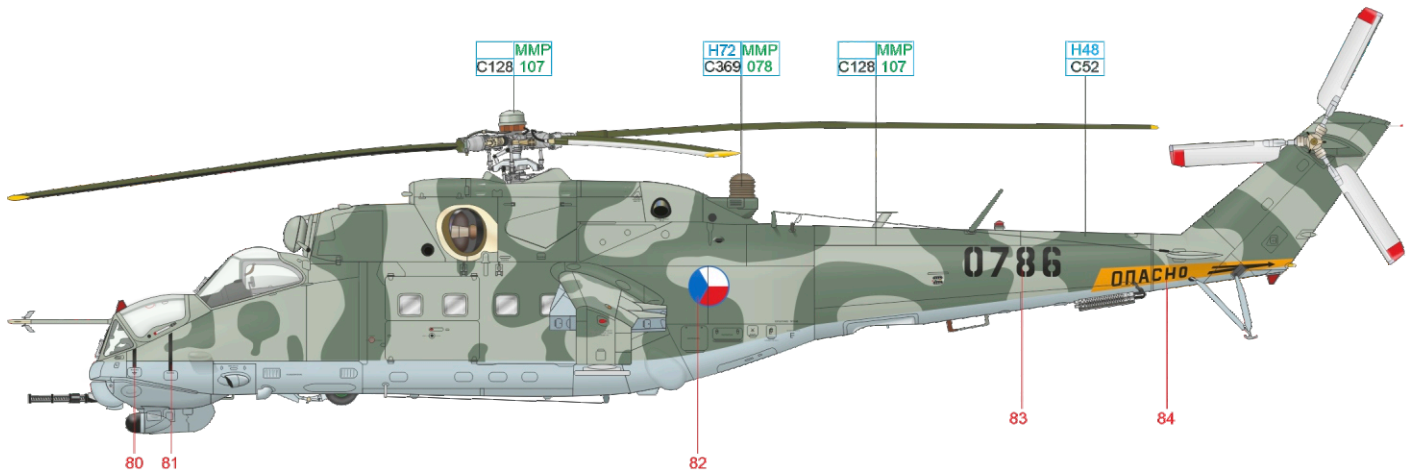


| | | | | | |
|----------------|---------------------|--------|---------------------|-------------|---------------------|
| GRAY | H308MMP C308 073 | GRAY | H305MMP C305 084 | MEDIUM GRAY | H306MMP C306 118 |
| ANTRACITE GRAY | H416MMP C116 089 | YELLOW | H4 MMP C4 007 | BLACK | H2 MMP C2 047 |
| | | | | FIELD GRAY | H340 C340 |



Stenciling according to scheme B (use the blue-marked decals)

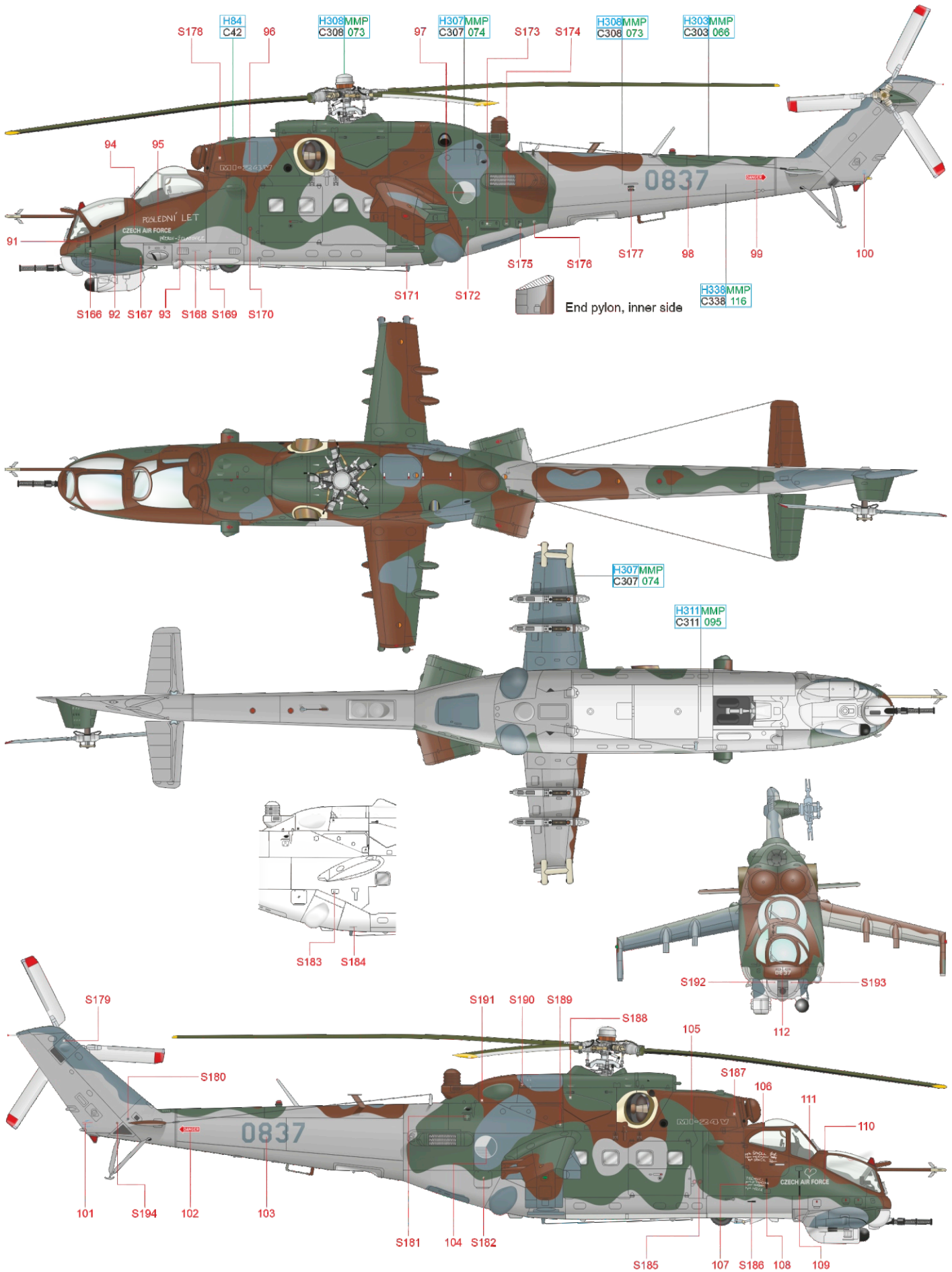
| | | | |
|-------|--------------------|----------------|----------------------|
| WHITE | H11 MMP C62 001 | MEDIUM SEAGRAY | H335 MMP C363 094 |
|-------|--------------------|----------------|----------------------|



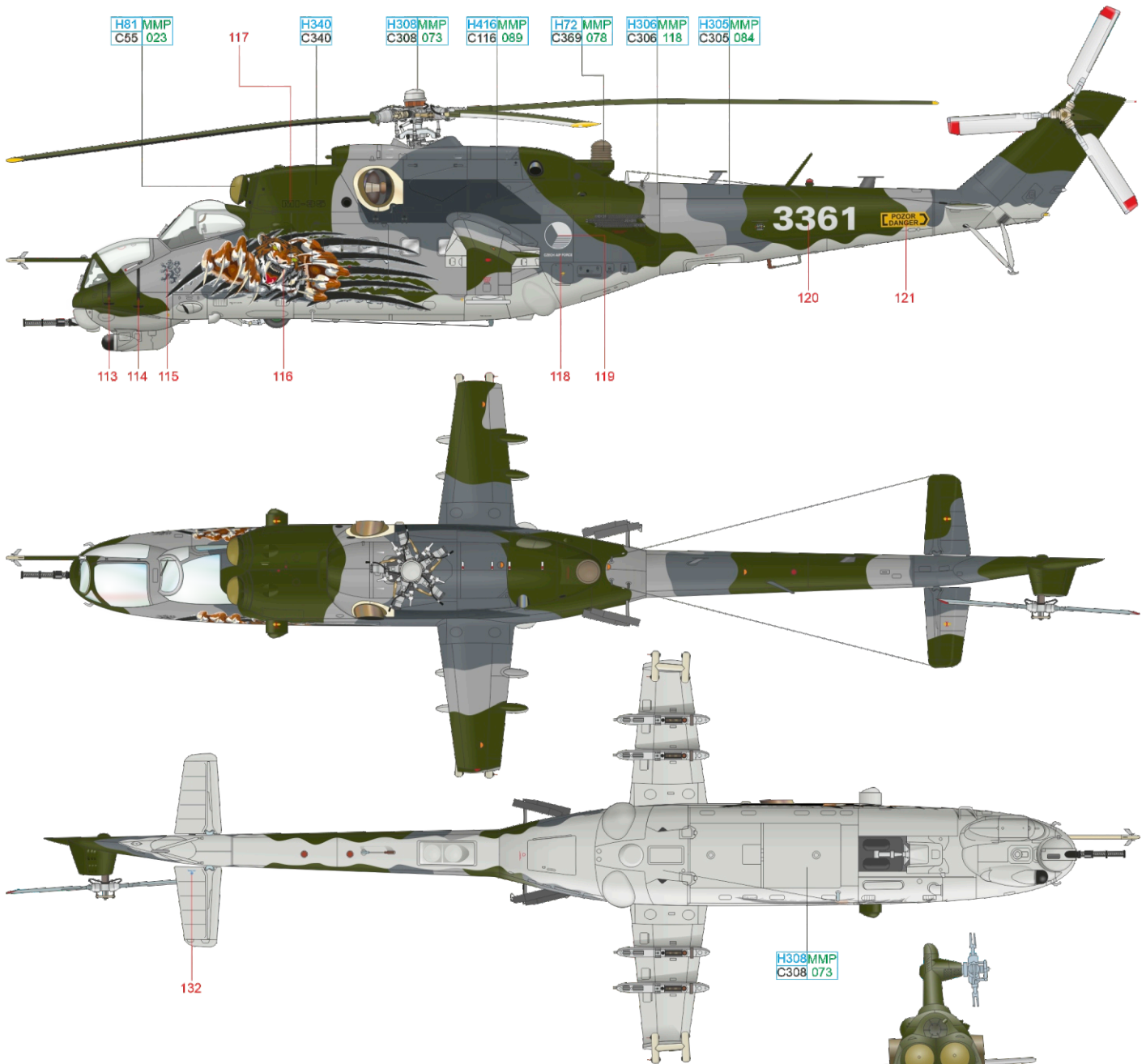
Stenciling according to scheme A (use the black-marked decals)



| | | | | | | | |
|------------|---------|------------|--------------|------------|-------------------|------------|------------------|
| FIELD GRAY | H48 C52 | GRAY GREEN | MMP C128 107 | LIGHT BLUE | H417 MMP C417 051 | DARK EARTH | H72 MMP C369 078 |
|------------|---------|------------|--------------|------------|-------------------|------------|------------------|



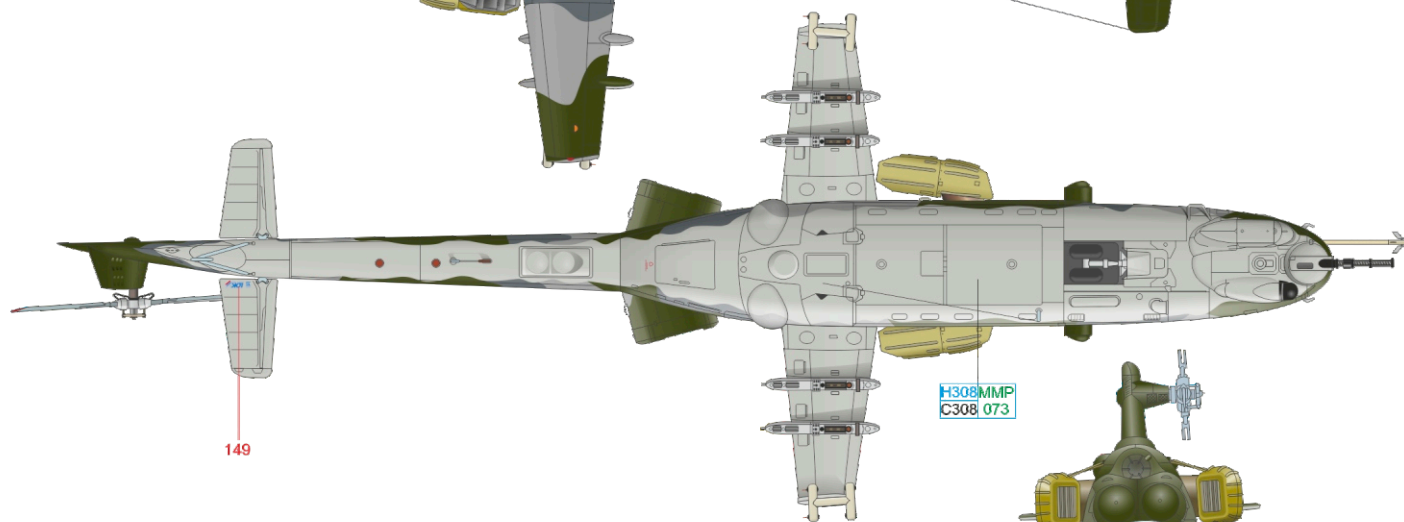
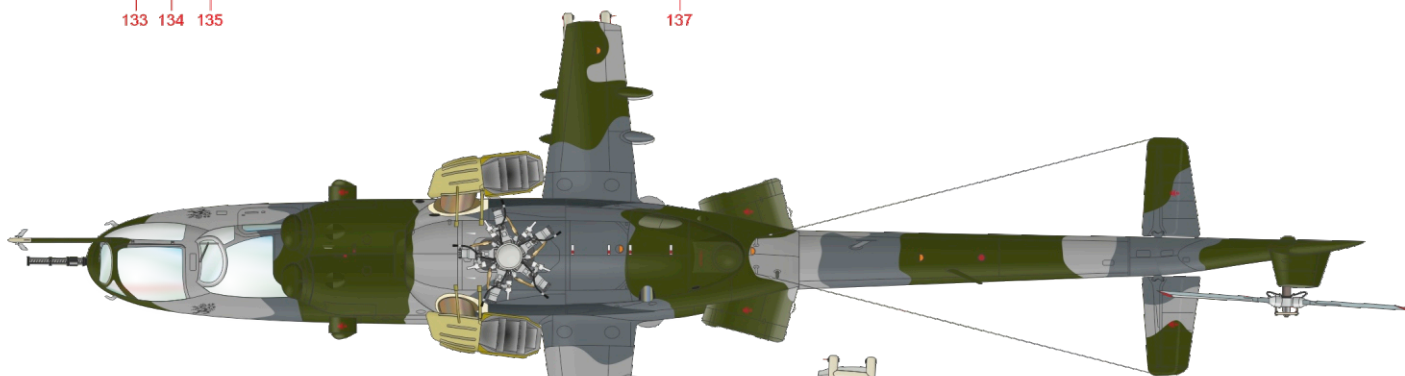
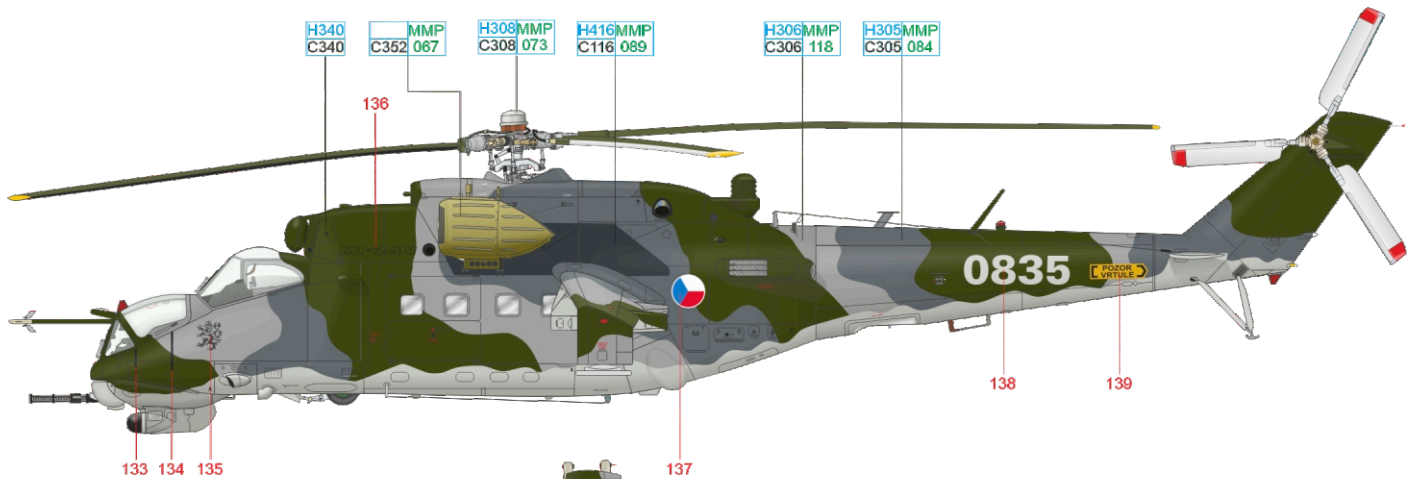
| | | | | | |
|------------|---------------------|-------------|---------------------|-----------|---------------------|
| LIGHT GRAY | H311MMP C311 095 | GRAY | H308MMP C308 073 | DARK GRAY | H307MMP C307 074 |
| DARK GREEN | H303MMP C303 066 | MEDIUM GRAY | H338MMP C338 116 | BROWN | H84 C42 |



Stenciling according to scheme B (use the red-marked decals)



| | | | | | |
|----------------|---------------------|-------|---------------------|-------------|---------------------|
| GRAY | H308MMP C308 073 | GRAY | H305MMP C305 084 | MEDIUM GRAY | H306MMP C306 118 |
| ANTRACITE GRAY | H416MMP C116 089 | KHAKI | H81 MMP C55 023 | FIELD GRAY | H340 C340 |
| | | | | DARK EARTH | H72 MMP C369 078 |



Stenciling according to scheme B (use the red-marked decals)

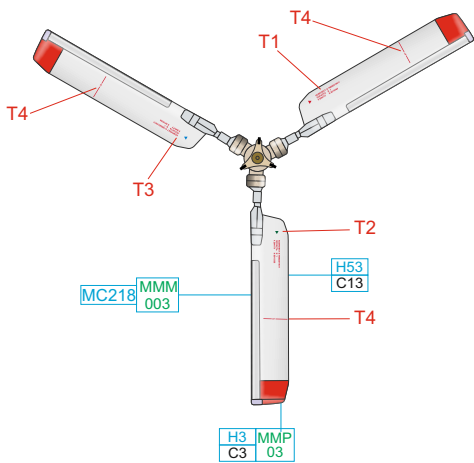


| | | | | | |
|-------------------|---------------------|------------------|---------------------|----------------|---------------------|
| GRAY | H308MMP C308 073 | GRAY | H305MMP C305 084 | MEDIUM GRAY | H306MMP C306 118 |
| ANTRACITE GRAY | H416MMP C116 089 | YELLOW PRIMER | MMP C352 067 | FIELD GRAY | H340 C340 |

HIND E

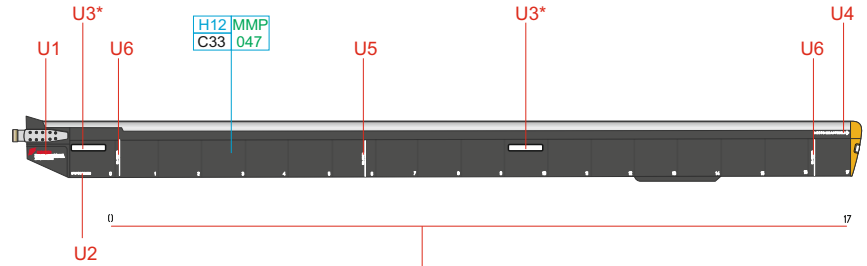
STENCILING POSITIONS

Tail Rotor



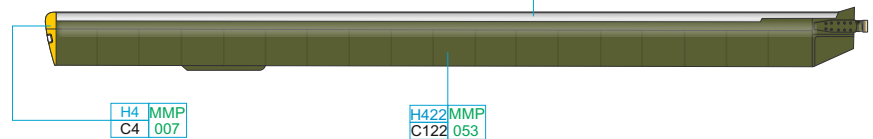
The Main Rotor Blades

Bottom side

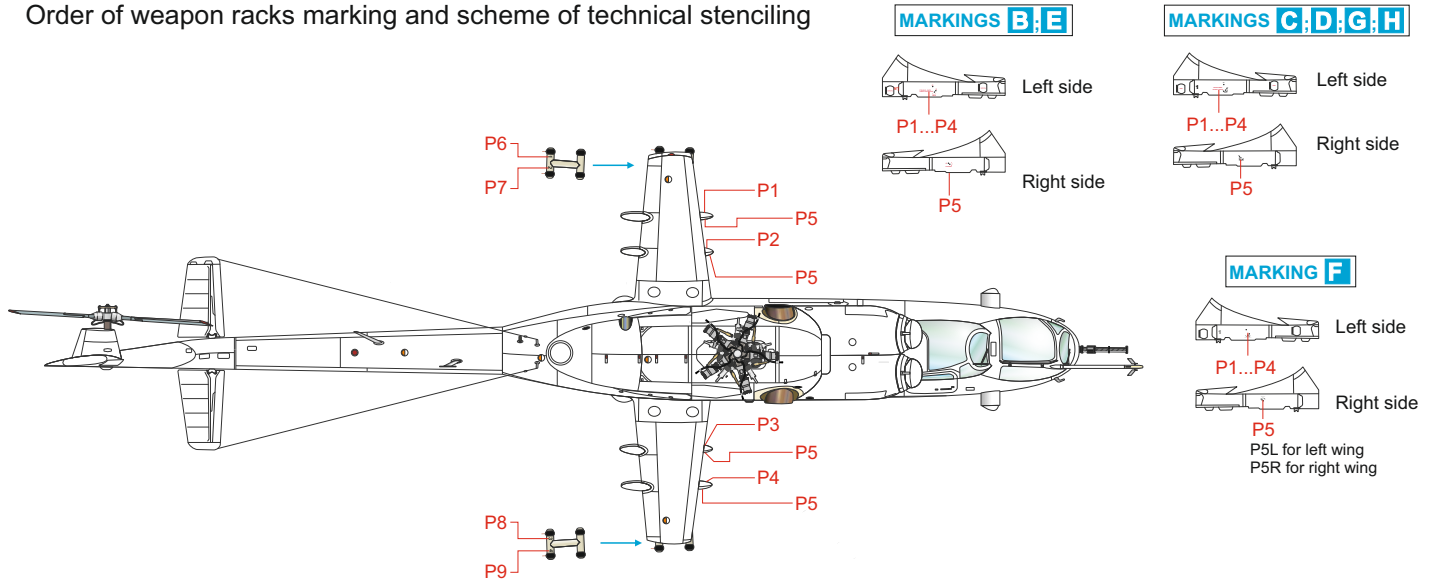


* the identical serial number

Upper side



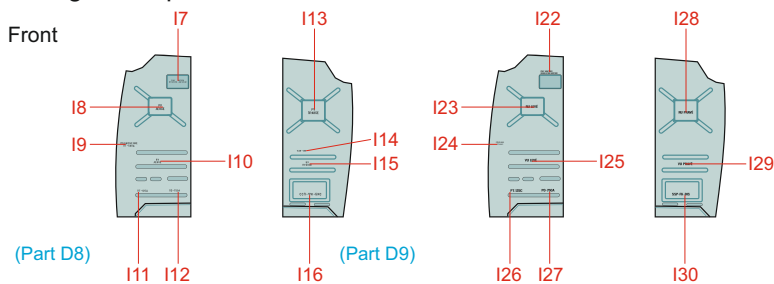
Order of weapon racks marking and scheme of technical stenciling



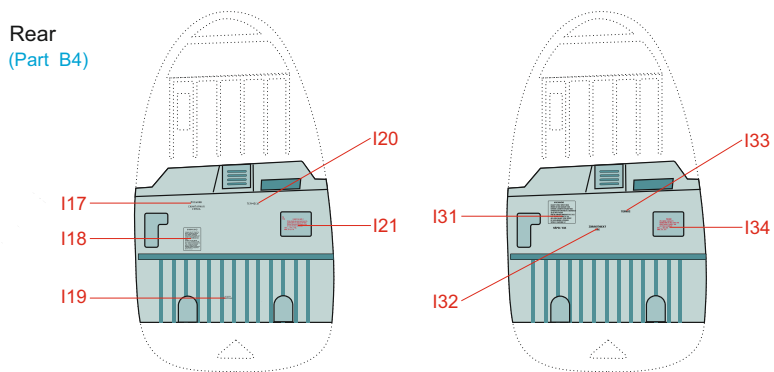
Do not use stencils P6; P7; P8 and P9 for marking D

Cargo / troop cabin

Front



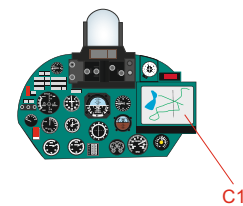
Rear (Part B4)



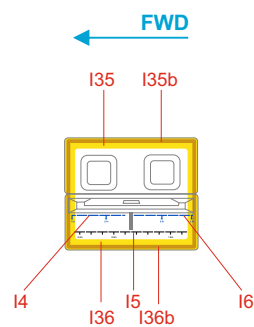
MARKINGS B, E

MARKINGS A, C, D, F, G, H

Rear cockpit main instrument panel

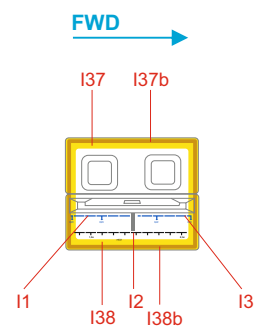


Right door inside



I35 and I36 only for the marking D
I35b and I36b only for the marking G

Left door inside



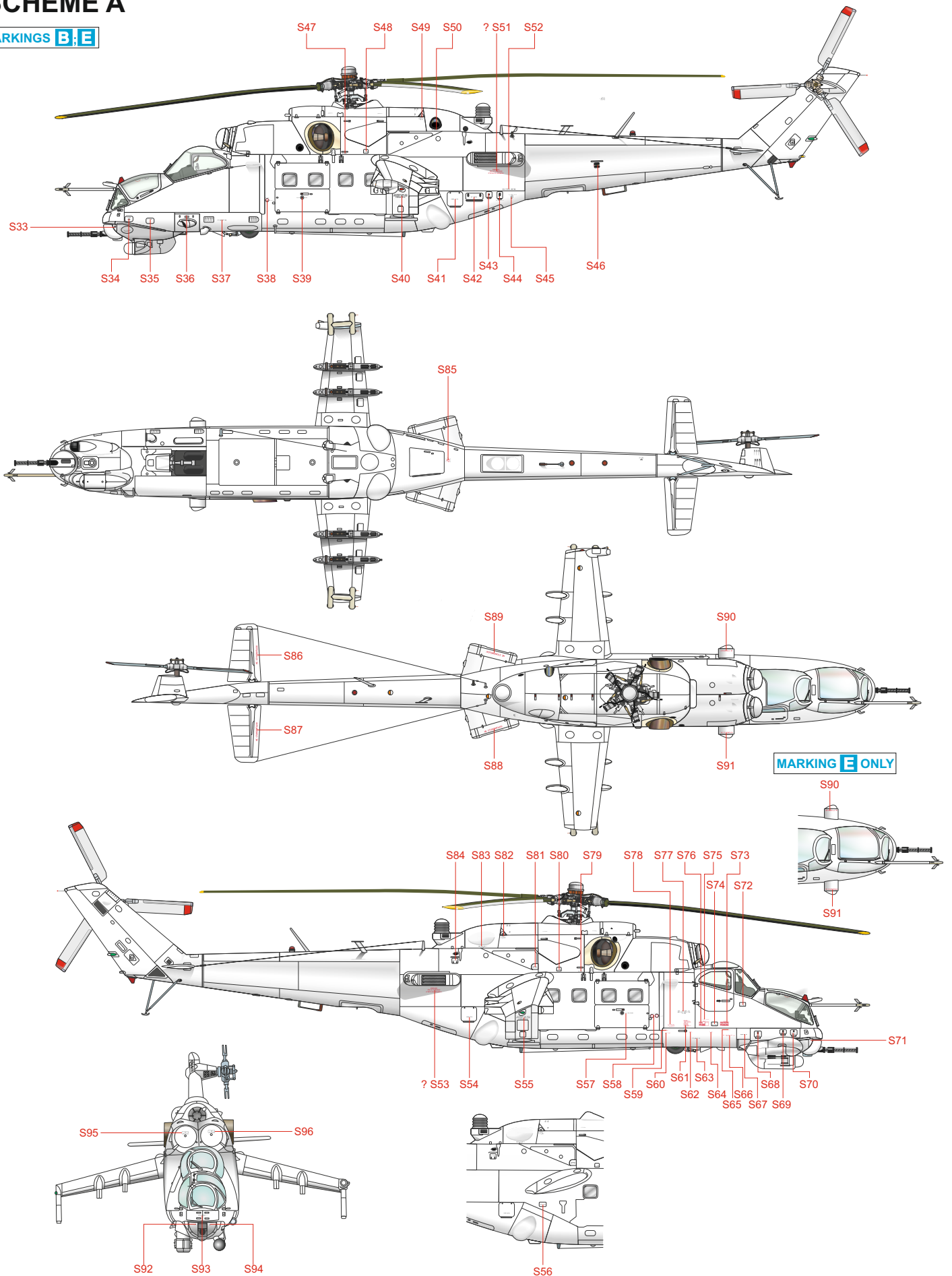
I37 and I38 only for the marking D
I37b and I38b only for the marking G

HIND E

STENCILING POSITIONS

SCHEME A

MARKINGS **B;E**



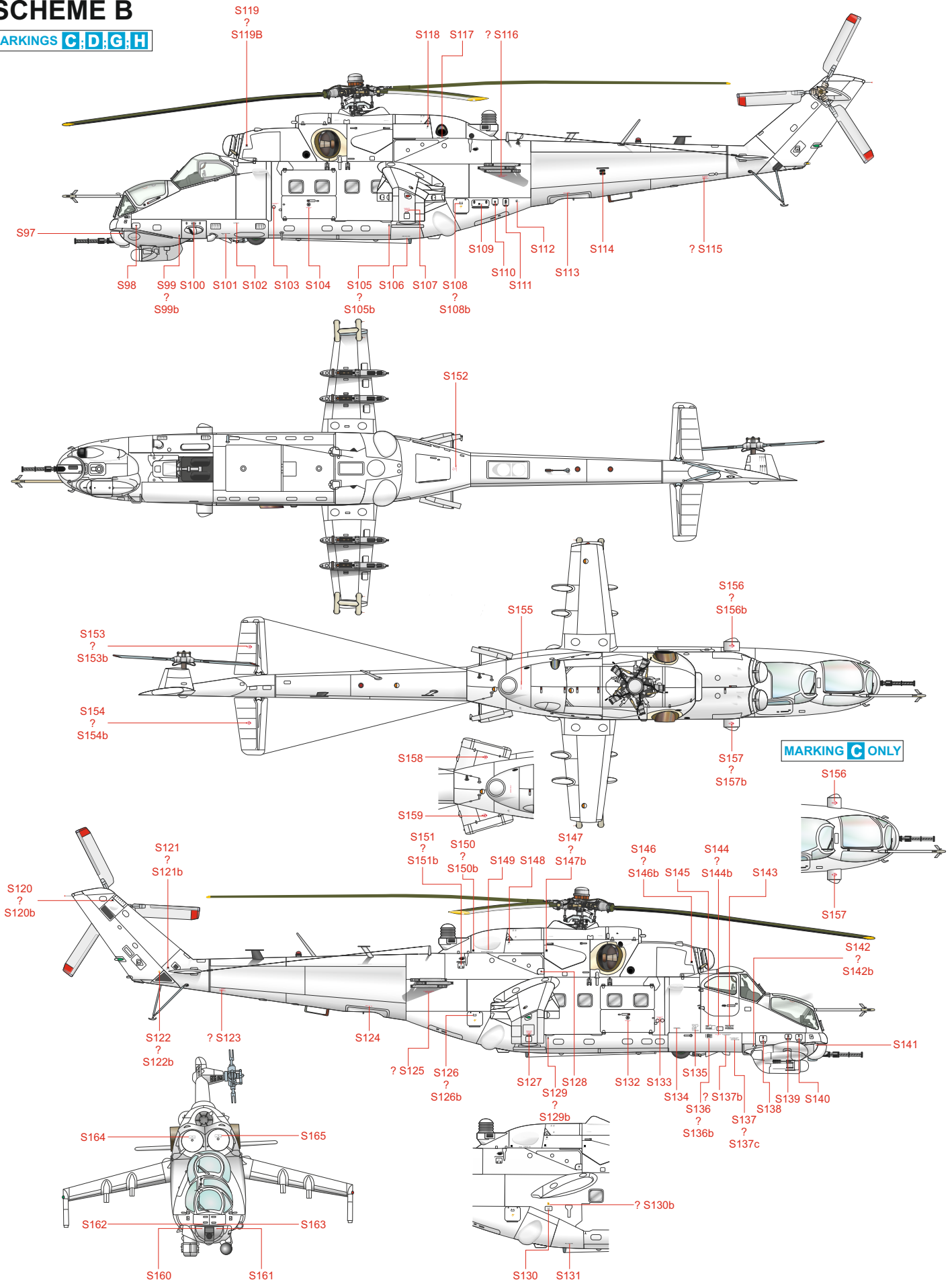
Stencils S51 and S53 for the marking B only

HIND E

STENCILING POSITIONS

SCHEME B

MARKINGS C:D:G:H



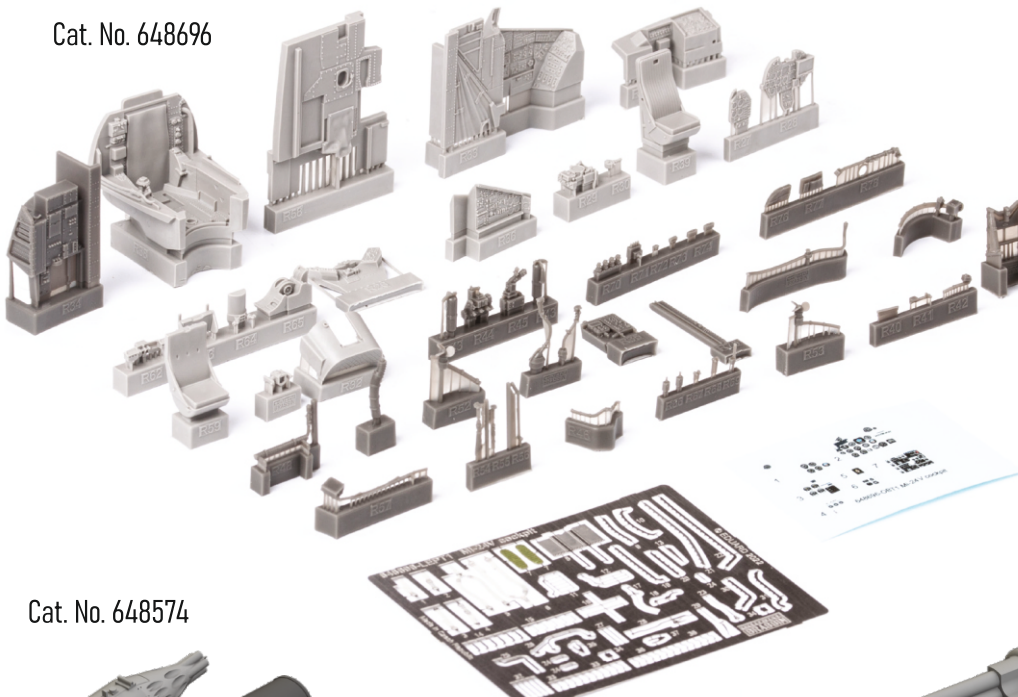
* Stencils S115 and S123 for marking C only
 * Stencils S116 and S125 for markings D, G and H only
 For the marking G use stencils with suffix "b" and use decals S137b + S137c instead of decal S137

- 481019 Mi-24 exterior (PE-Set)
- 491097 Mi-24 interior (PE-Set)
- FE1098 Mi-24V seatbelts STEEL (PE-Set)
- 644059 Mi-24V LööK (Brassin)
- 644085 Mi-24V LööKplus (Brassin)
- 648126 OFAB-100 Soviet bombs (Brassin)
- 648574 UB-32A-24 rocket launcher (Brassin)
- 648585 Mi-24V/VP Pitot tubes (Brassin)
- 648586 Mi-24VP GSh-23 cannon (Brassin)
- 648587 Mi-24V 9A624 machine gun (Brassin)
- 648696 Mi-24V cockpit (Brassin)
- ER48001 Mi-24V positive rivets & surface details (Eddie The Riveter)
- 3DL48001 Mi-24V SPACE (3D Decal Set)

Cat. No. 644059



Cat. No. 648696



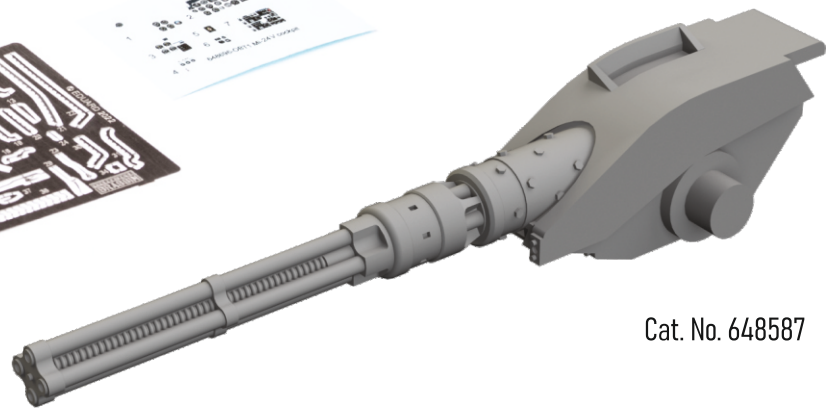
Cat. No. 648126



Cat. No. 648574



Cat. No. 648587



Cat. No. 648585

