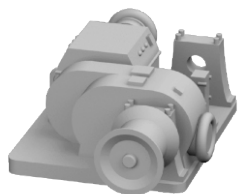


653 003 USN electric ship winches

eduard  
BRASSIN

Print

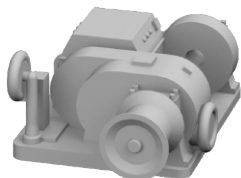
1/350 scale



R8 4pcs.



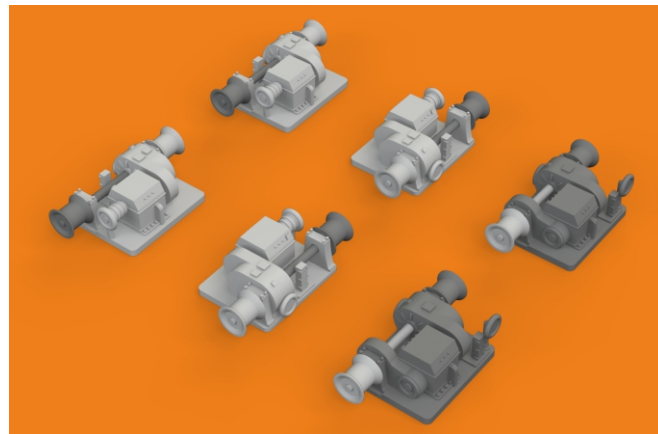
R9 6pcs.



R16 2pcs.

653 003 USN electric ship winches

1/350



COLOURS

GSI Creos (GUNZE)			Mr.METAL COLOR
AQUEOUS	Mr.COLOR		
[H 18]	[C 28]	STEEL	
[H328]	[C328]	BLUE	
[H 56]	[C366]	INTERMEDIATE BLUE	

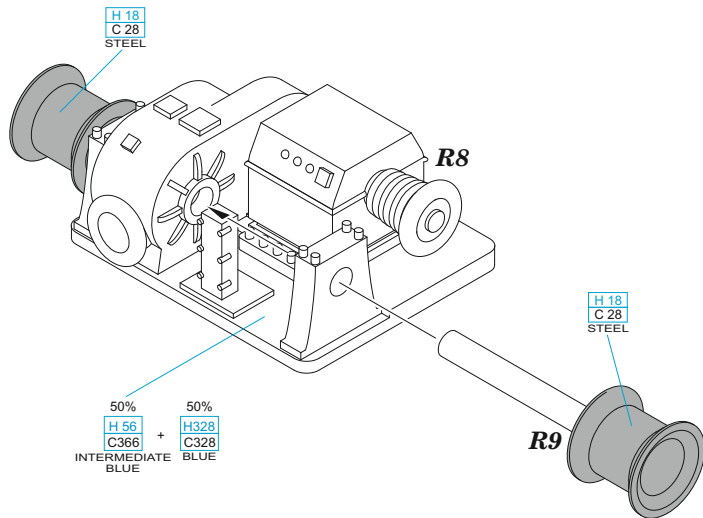
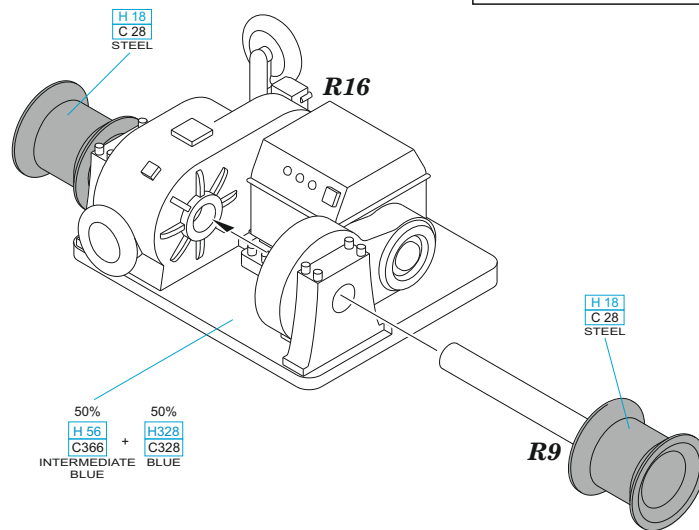
eduard

eduard

www.eduard.com  
7,95

435 21 Obrnice 170  
Czech Republic



**A****B**

- |   |                     |
|---|---------------------|
| REMOVE<br>ODSTRANIT                       | BEND<br>OHNOUT      |
| GRIND<br>OBROUSIT                         | OPTION<br>VOLBA     |
| DRILL HOLE<br>VRTAT OTVOR                 | REPLACE<br>NAHRADIT |
| SYMMETRICAL ASSEMBLY<br>SYMETRICKÁ MONTÁŽ |                     |
| SCRIBE THE PANEL AND HOLES<br>RYTI        |                     |
| REVERSE SIDE<br>OTOČIT                    |                     |