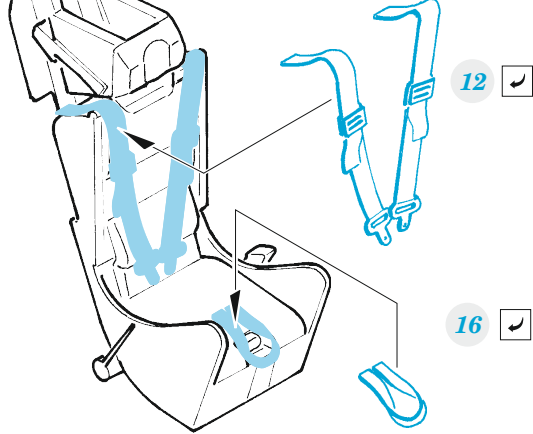


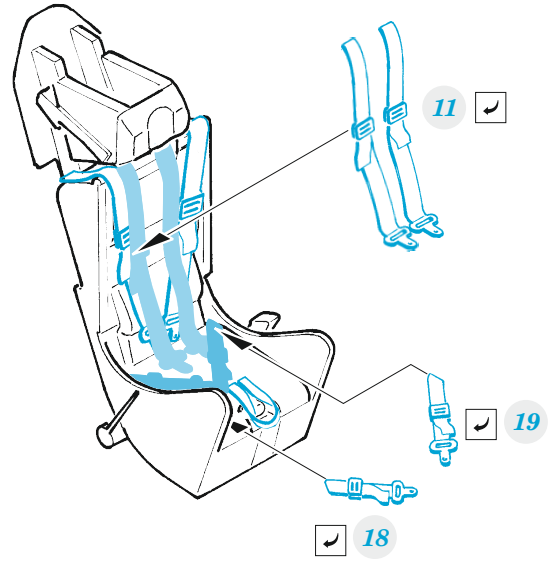


step 1

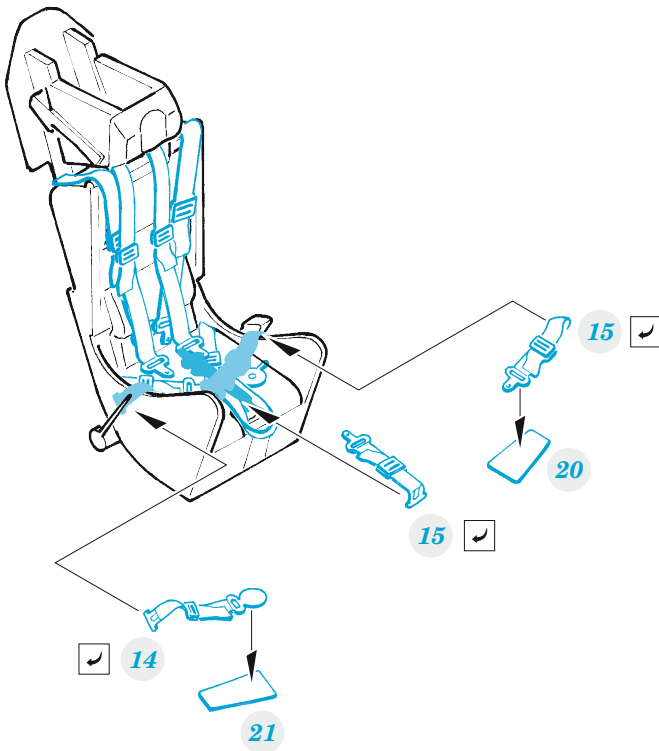
EJECTION SEAT



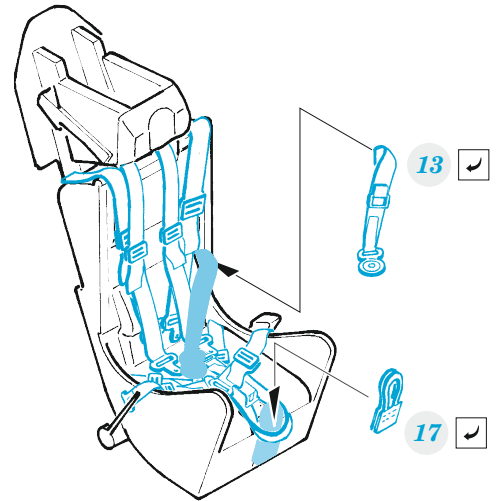
step 2



step 3



step 4



- 34    35
- D33 / D32

